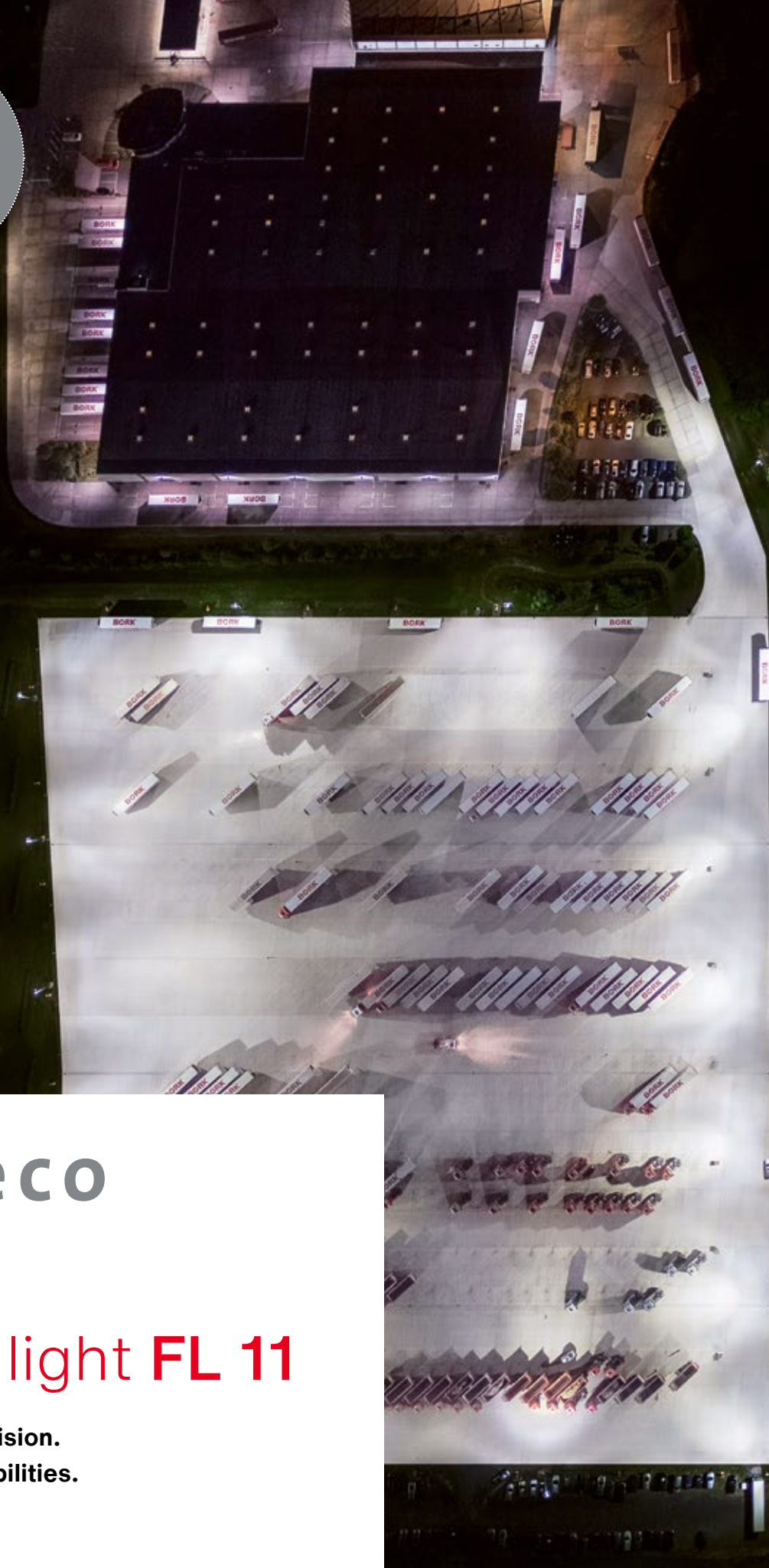


Variants,  
Data sheets,  
configuration -  
at a glance:

Floodlight  
FL 11



siteco

# Floodlight FL 11

Pinpoint precision.  
Infinite possibilities.

# Floodlight FL 11 – the new dimension of light.

## **Become a minimalist.**

Our power solution will enable you to save money, electricity and CO<sub>2</sub>. It needs fewer floodlights than a comparative LED solution and increases the precision of illumination with the help of a new light distribution system.

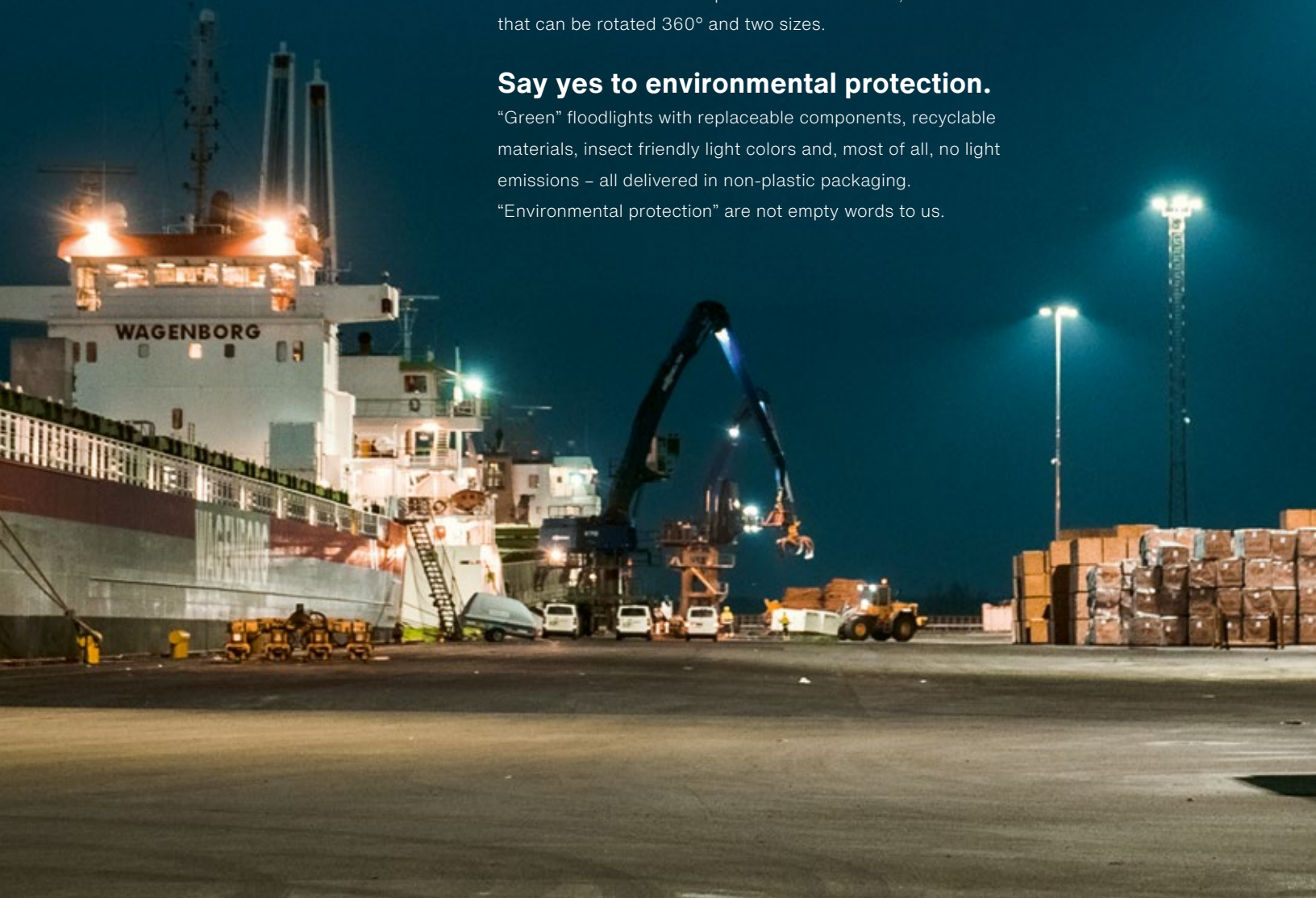
## **Don't do things halfway.**

100 % flexibility in planning, installation, alignment and control. This also includes flexible placement of the ECG, LED modules that can be rotated 360° and two sizes.

## **Say yes to environmental protection.**

“Green” floodlights with replaceable components, recyclable materials, insect friendly light colors and, most of all, no light emissions – all delivered in non-plastic packaging.

“Environmental protection” are not empty words to us.





## Infinite – and pinpoint.

You simply cannot plan everything about business and logistics operations. But you certainly can plan light by SITECO. Floodlight FL 11 precisely coordinates light. Outdoors and indoors. At such places as logistics facilities that require non-glare visibility and should not disturb people and nature by producing unnecessary emissions.

Floodlight FL 11 can be flexibly used in infinite ways. At everyplace from cargo-handling sites to shipping ports, airports and production or warehouse sites: Floodlight FL 11 combines cost efficiency, climate protection, security, flexibility and ease of use into one package. And this brings us to the fundamental strength of the Floodlight FL 11: namely that it has no weakness at all.



- ⊕ Highly efficient operations with fewer luminaires thanks to a new light distribution system
- ⊕ Easy maintenance thanks to flexible ECG integration on the mast or luminaire
- ⊕ Non-glare light with 0 % light emission without producing any light that can bother residents and nature
- ⊕ Maximum flexibility and precision delivered by rotatable modules and adjustable light heads
- ⊕ Needs-based light control with DALI
- ⊕ High-quality, long-lasting manufacture with non-yellowing PMMA lenses, robust glass covers and die-cast aluminum housings

# The master of modification.

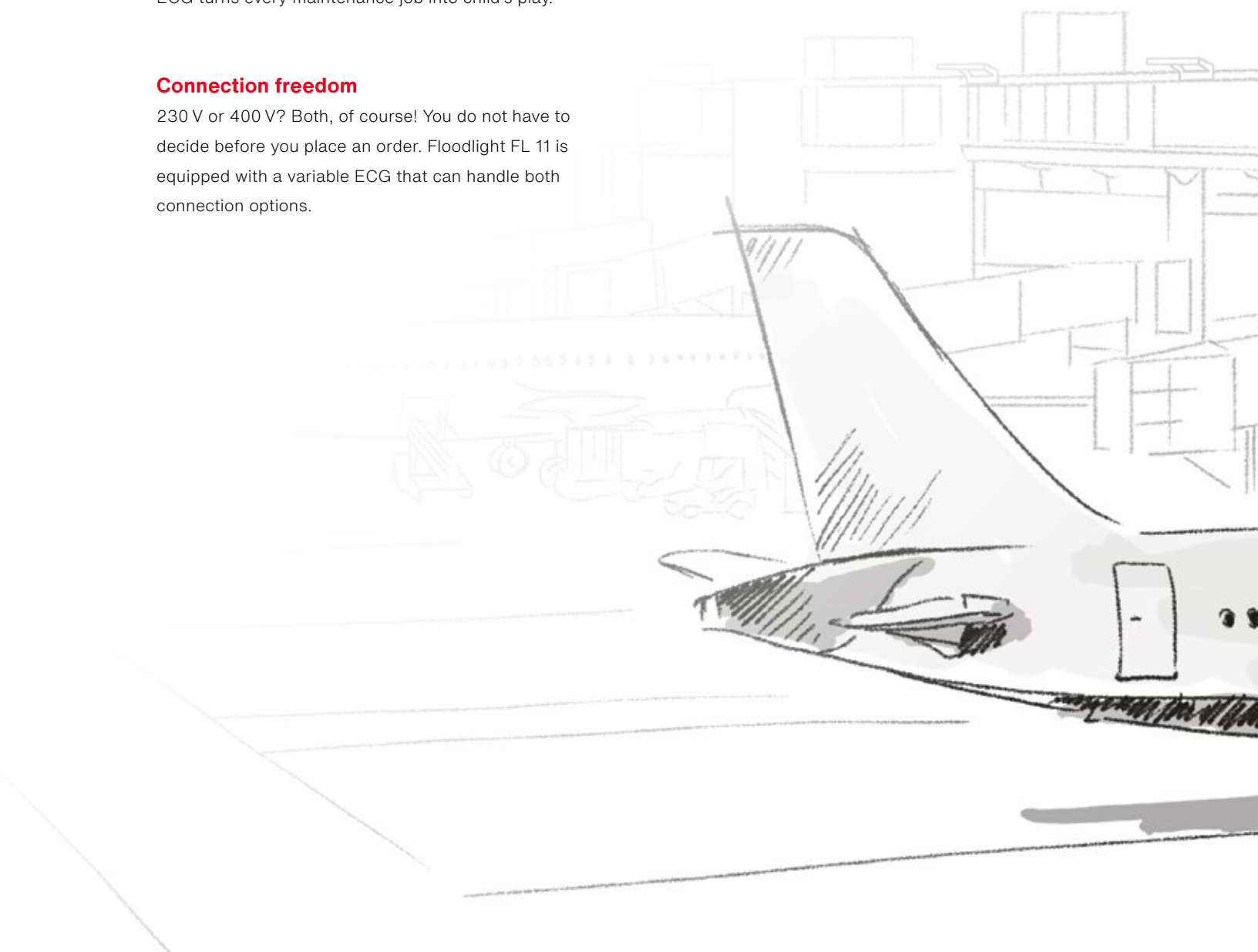
No work site is like the other. The same principle applies to its lighting as well. It does not have to either. Floodlight FL 11 is designed in such a way that enables it to optimally meet the widest range of needs – from planning to setup and illumination.

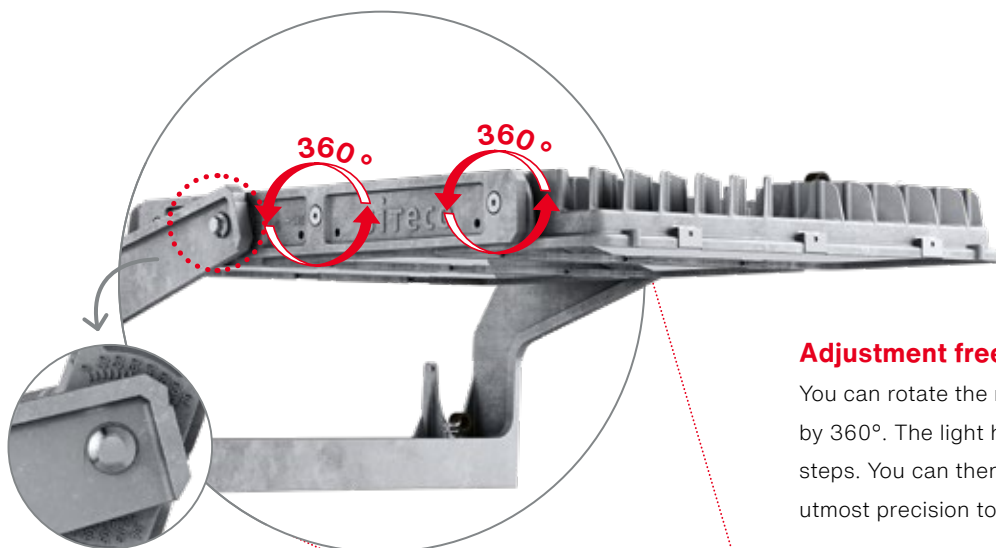
## **Placement freedom**

You decide where the driver should go – compactly on the luminaire or wherever you like on the mast. But one thing is certain: The remotely positioned ECG turns every maintenance job into child's play.

## **Connection freedom**

230 V or 400 V? Both, of course! You do not have to decide before you place an order. Floodlight FL 11 is equipped with a variable ECG that can handle both connection options.





**Adjustment freedom**

You can rotate the modules of the Floodlight FL 11 by 360°. The light head itself can be adjusted in 2.5° steps. You can then point the light beam with the utmost precision to satisfy your specific needs.





0%  
Light emission

Light – where workers  
need it and where it will not  
bother residents and nature.



# A new form of green light.

Light sets the pace of our lives. Artificial light can be a real annoyance. It can throw both people and the environment off balance – and have a devastating impact on insects and the entire downstream food chain. But there is some good news: Floodlight FL 11 prevents it all from happening. It meets every criterion set by the latest environmental laws and planning directives. Light has a special responsibility to assume as human settlements encroach more and more on the habitats of wildlife.

## **Targeted and 0 % light emissions**

Thanks to its new asymmetric light distribution system, Floodlight FL 11 casts light with pinpoint and targeted precision onto work areas – and onto it only. Without any scattered light or light emissions to contend with, the night sky remains dark and animals and neighborhood residents can live their lives in peace.

## **Insect friendly light for more biodiversity**

The warmer the light color, the less it attracts insects. This is why SITECO's Floodlight FL 11 produces 3,000 K light, a color that is especially insect friendly. Other animals profit as well: all predators of insects, migratory birds and even fish and amphibians that live near human settlements.

Particularly insect friendly  
light with

# 3,000 K



# Floodlight FL 11 variants



**FL 11 maxi**

## Technical data

Rated luminous flux: up to 147,000 lm  
 Rated output: up to 1,022 W  
 Luminous efficacy: up to 144 lm/W  
 Service lifetime: above 100,000 h  
 Recommended light point height: 10 m or higher

## Variants

Power (for outdoor athletic facilities)  
 Longlife (for industry and indoor uses)

## Weight

With the ECG on the bracket, 23,1 kg; remote 17,2 kg

## Applications

Sports fields, stadiums, arenas, airports, container terminals

## Light distribution

1 2 3 4 5 6 7



**FL 11 maxi pro**

## Technical data

Rated luminous flux: up to 220,500 lm  
 Rated output: up to 1,540 W  
 Luminous efficacy: up to 143 lm/W  
 Service lifetime: up to 100,000 h  
 Recommended light point height: 16 m or higher

## Variants

Power (for outdoor athletic facilities)  
 Longlife (for industry and indoor uses)

## Weight

With the ECG on the bracket, 29,4 kg; remote 23,5 kg

## Applications

Sports fields, stadiums, arenas, airports, container terminals

## Light distribution

1 2 3 4 5 6 7

## Optical concept

PMMA lenses

## Light colors

3,000 K | 4,000 K | 5,000 K | 5,700 K  
 Color rendering: CRI 70 | CRI 80/90 (5,700K only)  
 or upon request  
 Light emission: 0 %

## Type of protection

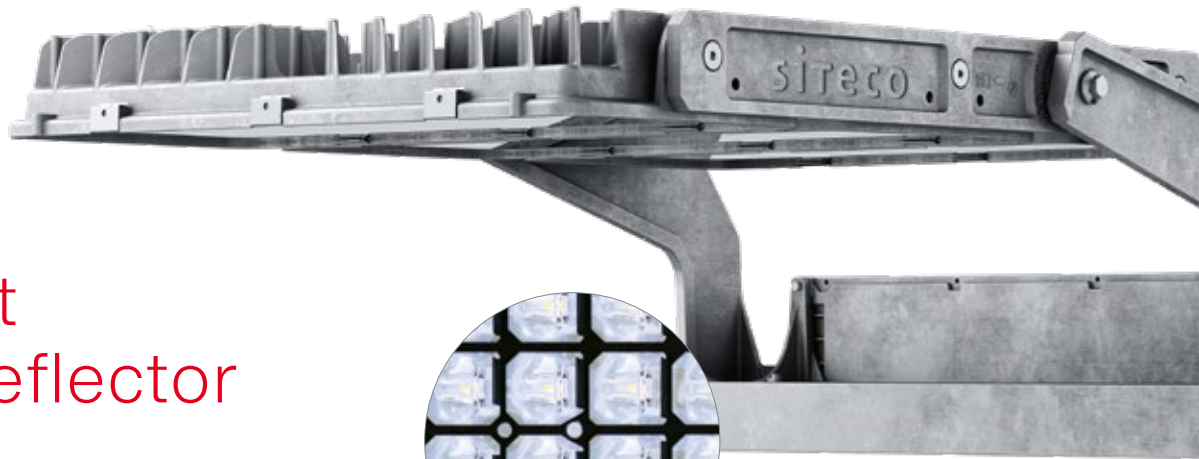
IP66  
 Safety class: SK I



## Models at a glance

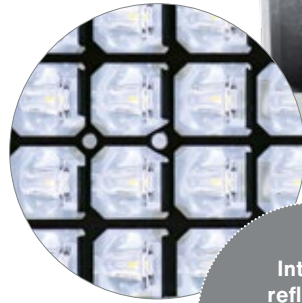
ECG on the bracket or remotely positioned up to 150 m away  
 Nominal voltage: 220 ... 240 V | 380 ... 400 V, 50/60 Hz, AC  
 DALI or DMX-RDM





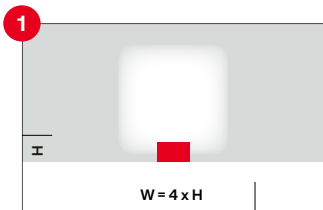
# Backlight control reflector (BLC)

Would you like to limit the amount of light distributed rearward? If so, you have to look no farther than the backlight control reflector that will enable you to pinpoint light even more precisely.

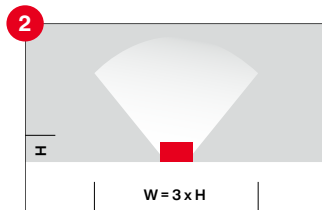


**Interior reflector:**  
No additional wind load, no static problems

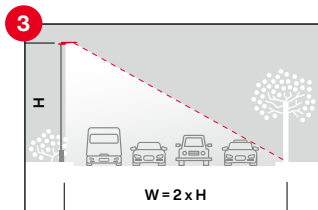
## Light distribution for FL 11 variants:



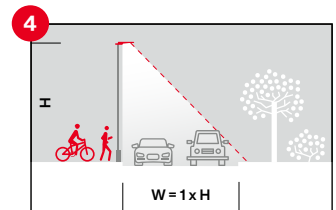
**PL64** - to narrowly distribute light on plazas



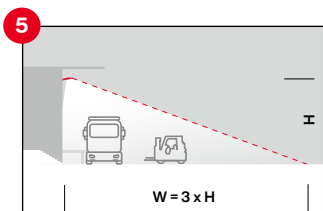
**PL33T** - to illuminate corners



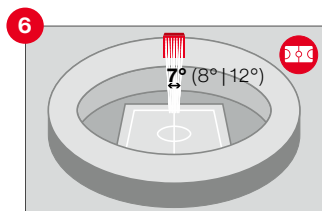
**PL52** - to illuminate wide streets and parking lots



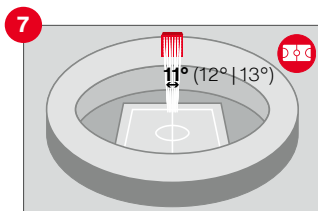
**PL61** - to illuminate streets with widely separated light points



**PL43** - to narrowly distribute light on plazas



**RS07 | RS08 | RS12** - to illuminate long distances in stadiums and halls



**RSD11 | RSD12 | RSD13** - to illuminate long distances in stadiums and halls with the maximal amount of luminous flux



## Environment protection – practiced honestly.



Is a product sustainable because it uses less energy? No. The process of manufacturing and disposing of the product has to be taken into consideration as well. That's why we manufacture the Floodlight FL 11 in Germany. In doing so, we apply a sophisticated modular concept and consciously use 0 % plastic in our packaging. This is how we define **Made in Germany.**

SITECO offers:  
**Future-proof & easy maintenance**

Modules, drivers and other components can be replaced easily, sometimes even without tools – the ideal way to make repairs or add updates in no time at all. **SITECO thinks long-term.**

SITECO offers:  
**0 % light emissions**

0 % light in the upper atmosphere is our goal. And this is exactly what Floodlight FL 11 achieves, thanks to its asymmetric light technology. To produce a **naturally dark night sky.**

SITECO luminaires can be dimmed, activated and controlled as needed. The reduced level of light has a positive effect on the **environment and nature.**

SITECO offers:  
**Targeted lighting control**

SITECO offers:  
**Sustainable light**

From die-cast aluminum housings to the latest generations of LEDs equipped with special lighting technology that we developed ourselves – everything about SITECO is designed with **long-lasting operation and significant CO<sub>2</sub> savings** in mind.

SITECO offers:  
**Environmentally friendly production and packaging**



SITECO manufactures its products in Germany in accordance with **environmental protection regulations**. This means two things: our transport routes do not extend halfway around the world, and our packaging contains **no plastic.**

# Saving energy calls for teamwork.

What tasks can we carry out for you?

## + Light audit

Our experts examine your existing lighting installation and define your individual requirements for the new system on location and together with you. + Recording inventory and inventory data + Operating costs and CO<sub>2</sub> savings + Investment and payback

## + Planning

We develop a lighting concept or customized solution designed to precisely meet your needs – enabling you to benefit from outstanding and sustainable lighting and control technology. + Lighting design + Lighting and electrical concept that considers nature conservation laws + Planning suitable control systems

## + Project management

Everything from a single source: You work with one project manager, so you have exactly one contact person. Our employee clarifies the formalities and coordinates all steps – so everything happens at the right time and everyone is properly involved. + Project coordination and control

## + Financing and funding

Our individual financing solutions help you realize savings right from day one. The terms are flexible and depend entirely on your needs. We also prepare efficiency certificates that verify at least 50 % CO<sub>2</sub> savings for funding applications. + German Federal Ministry for the Environment, Nature Conservation, Nuclear Safety and Consumer Protection (BMUV) funding quotas and application for funding + Financing

## + Technical service

You decide whether we handle the installation through our network of installation partners. If you'd like, we can also assume responsibility for operating your equipment. + Installation and commissioning of luminaires and control systems

## + Digital control center

The SITECO control center monitors in real time: from digital management to maintenance and servicing to control and optimization. In this way, we have everything covered for you and coordinate all work. + Remote monitoring + Troubleshooting + Monitoring of energy savings

Select from these six service modules and combine them to precisely meet your needs.

Always tailored to the level of service you require.

## Contact.

### Siteco GmbH

Georg-Simon-Ohm-Str. 50  
83301 Traunreut, Germany  
Tel. +49 8669 330  
info@siteco.com

### Technical support

Tel. +49 8669 338 44  
technicalsupport@siteco.com

siteco.com