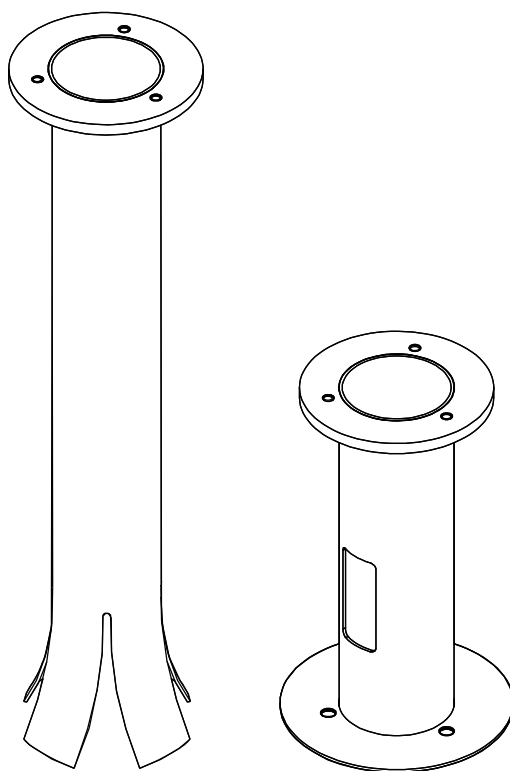


CL Poller / CL Bollard

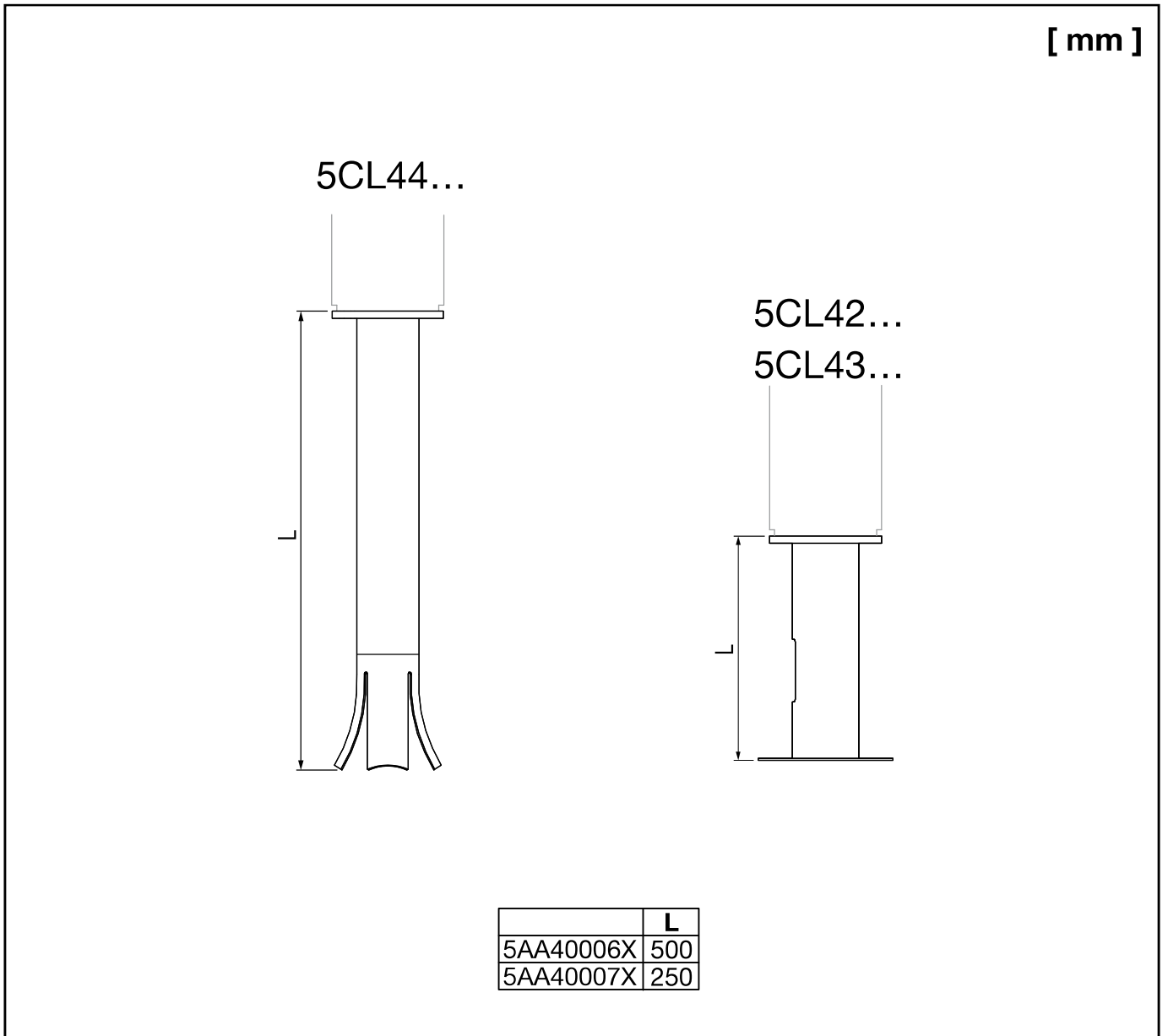
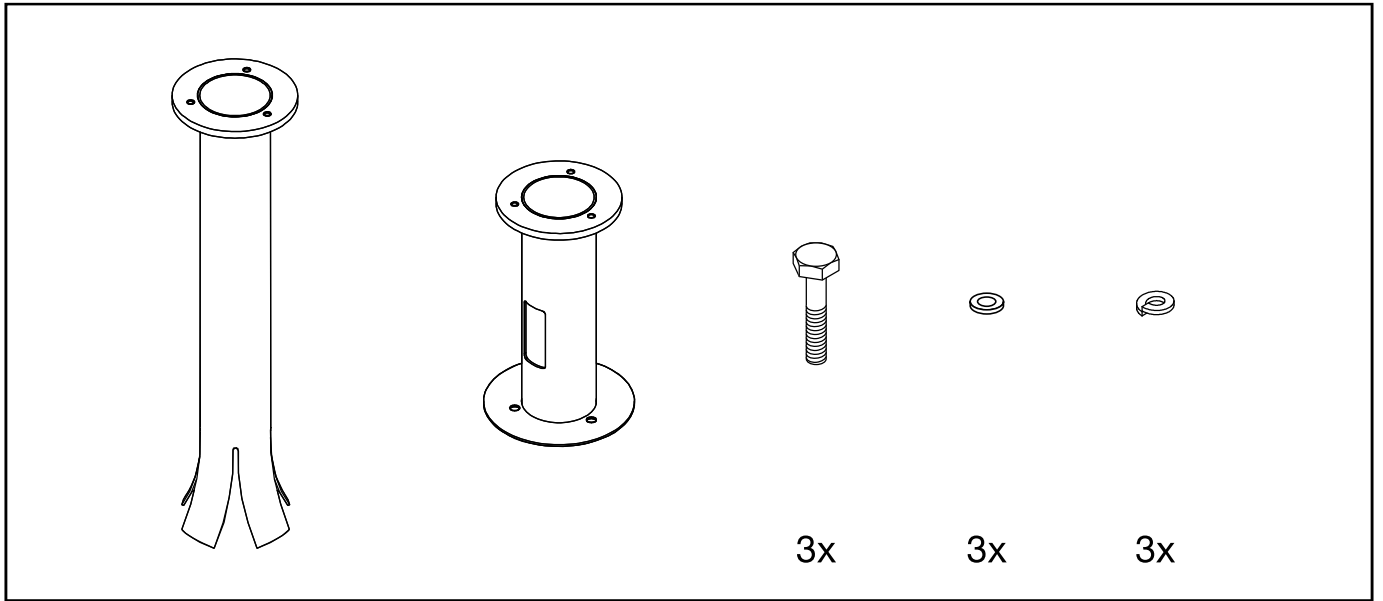
Erdstück / Earth unit

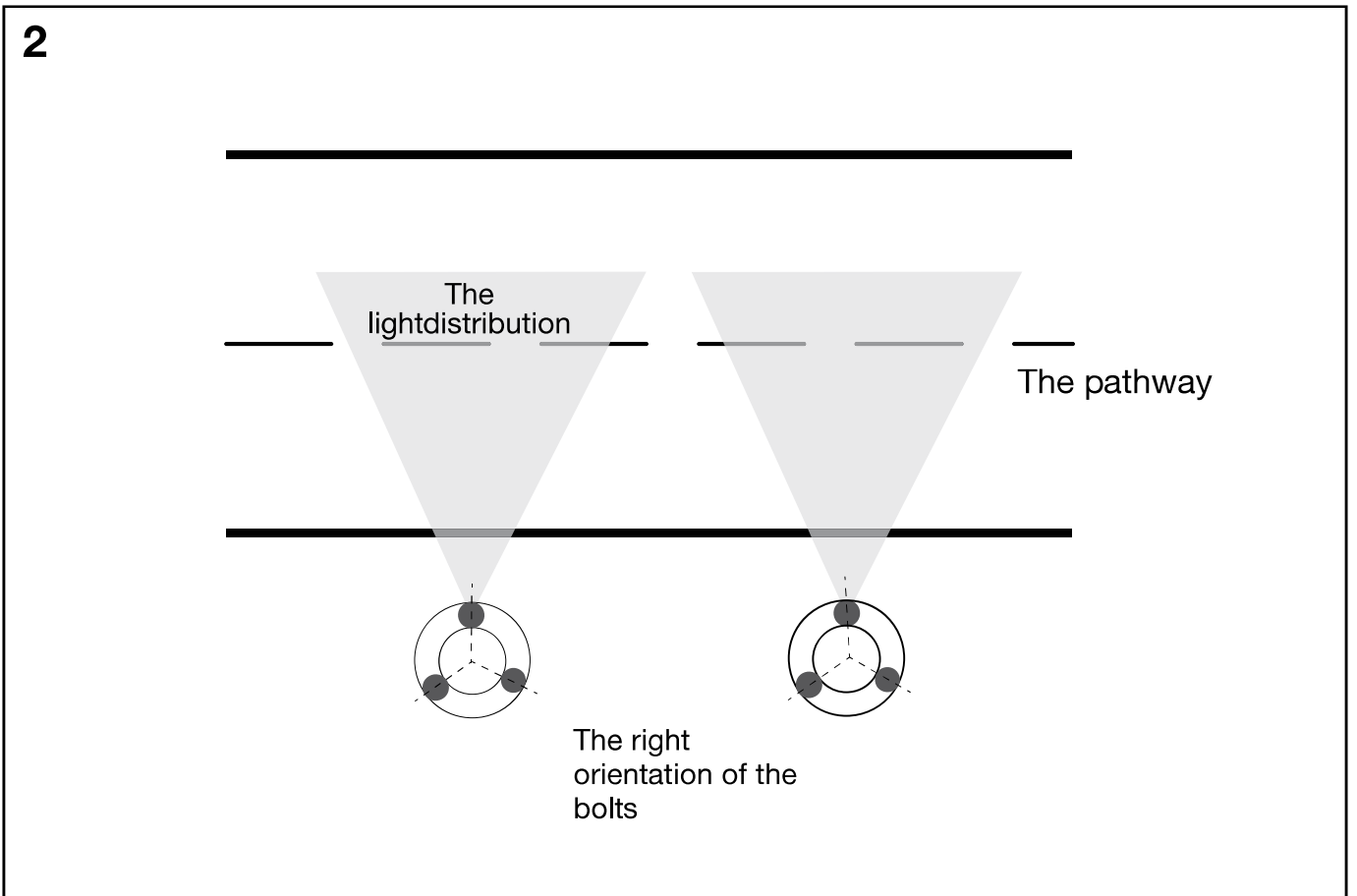
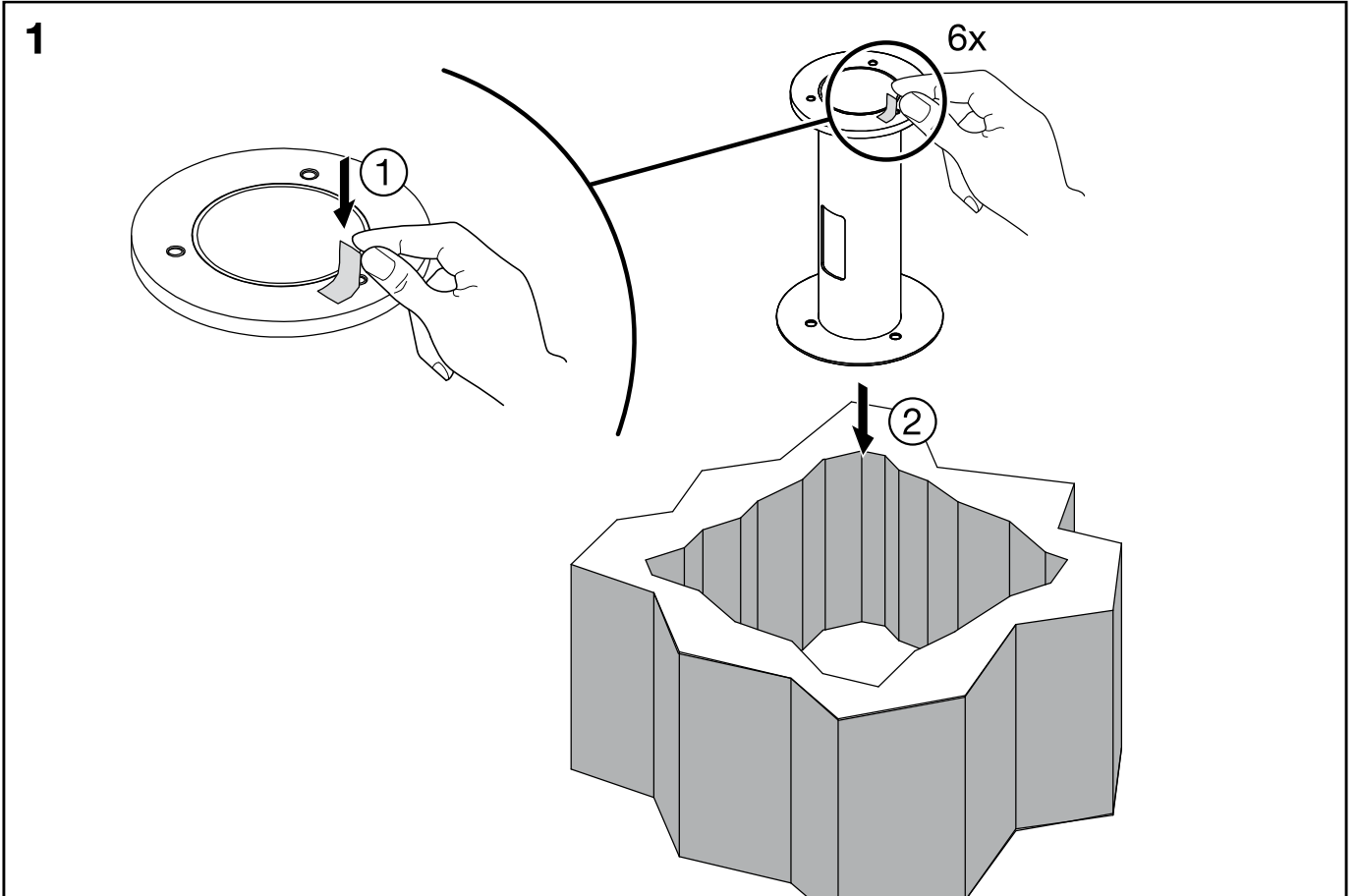
5AA40006X

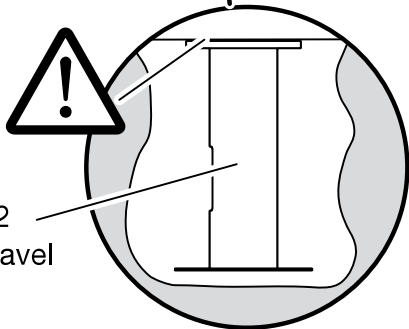
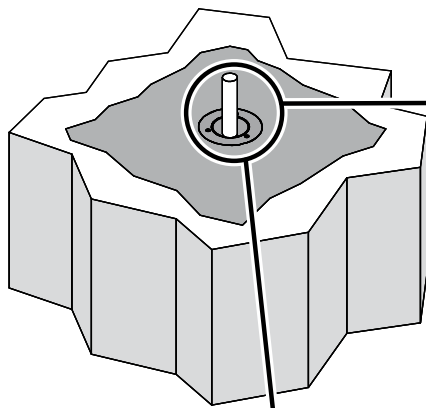
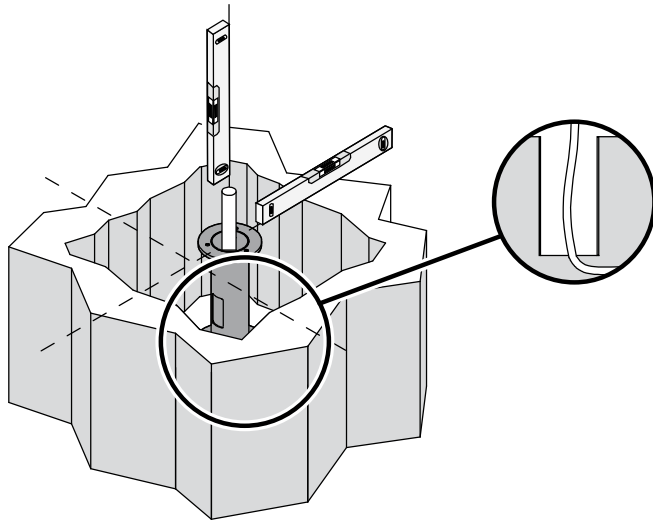
5AA40007X



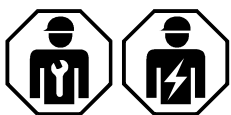
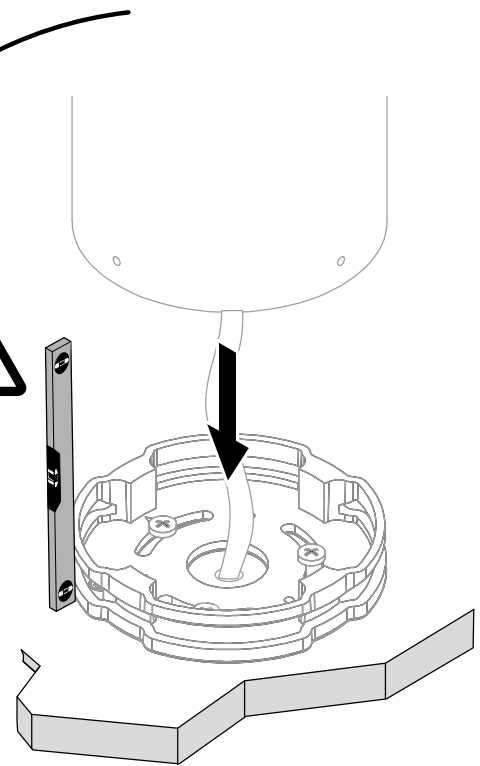
CL Poller / CL Bollard - Erdstück / Earth unit







Drainage
Kies 16/32
Coarse gravel
16/32



5MA85-214966_af
29.04.2022 / SCH

Siteco GmbH
Georg-Simon-Ohm-Straße 50
83301 Traunreut, Germany
mail: technicalsupport@siteco.de
Phone: +49 8669 / 33-844
www.siteco.com