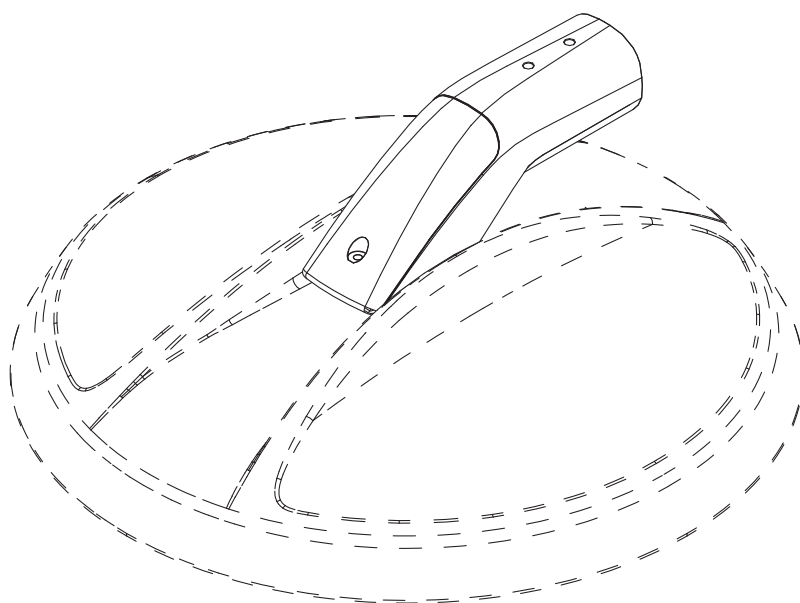


DL[®] 50 LED

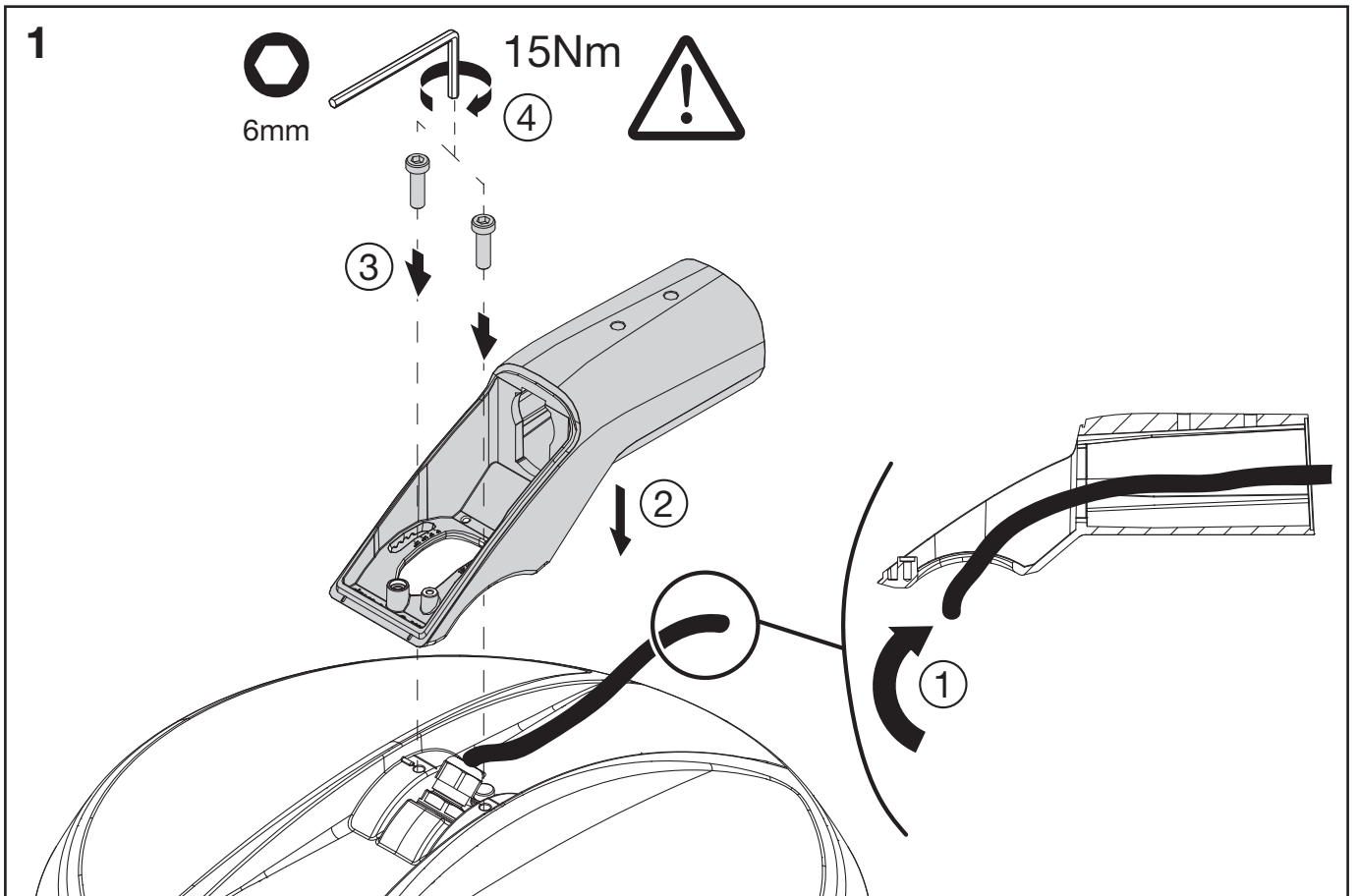
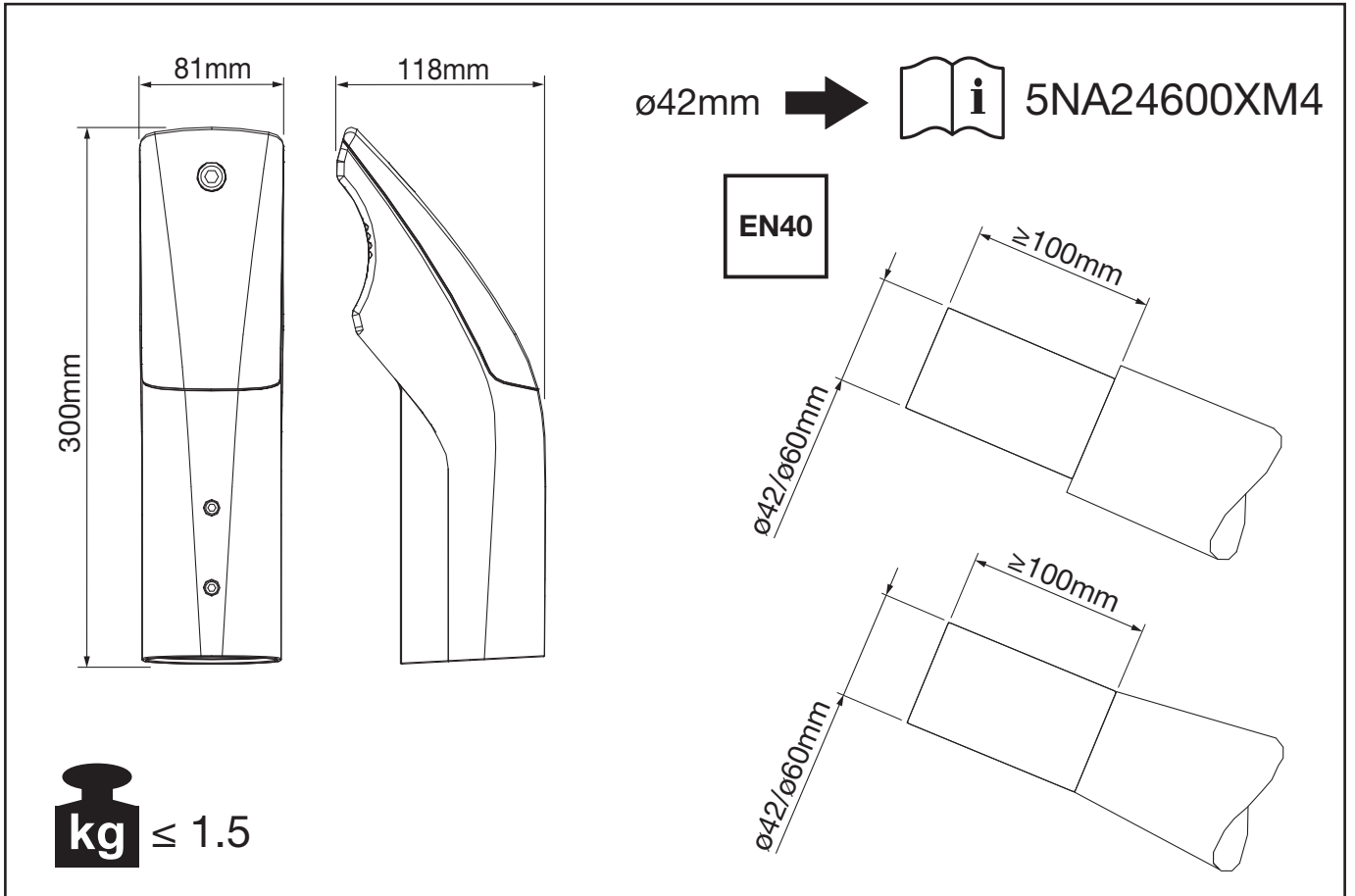
Mastansatz / mast side entry

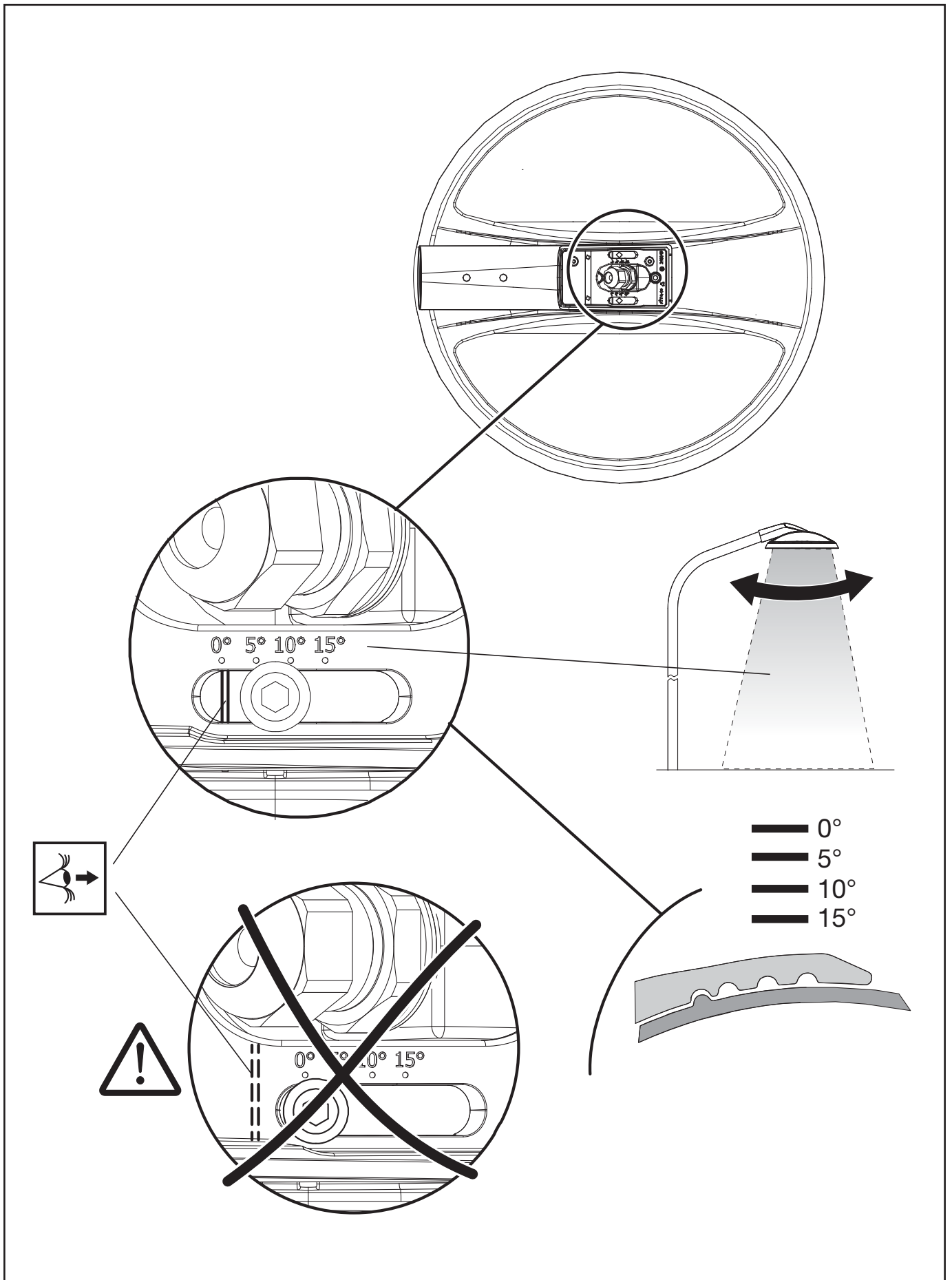
5XA24800XM2

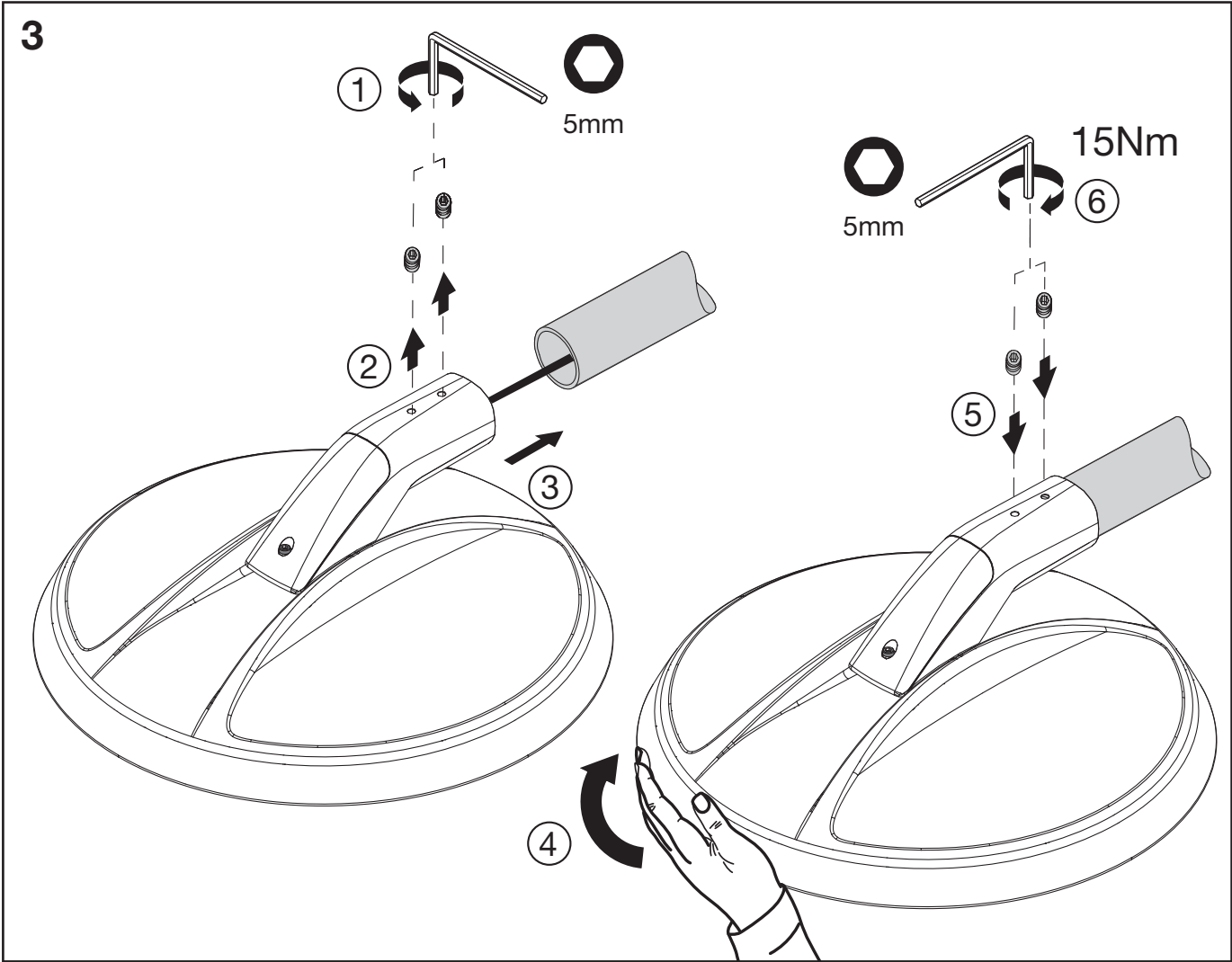
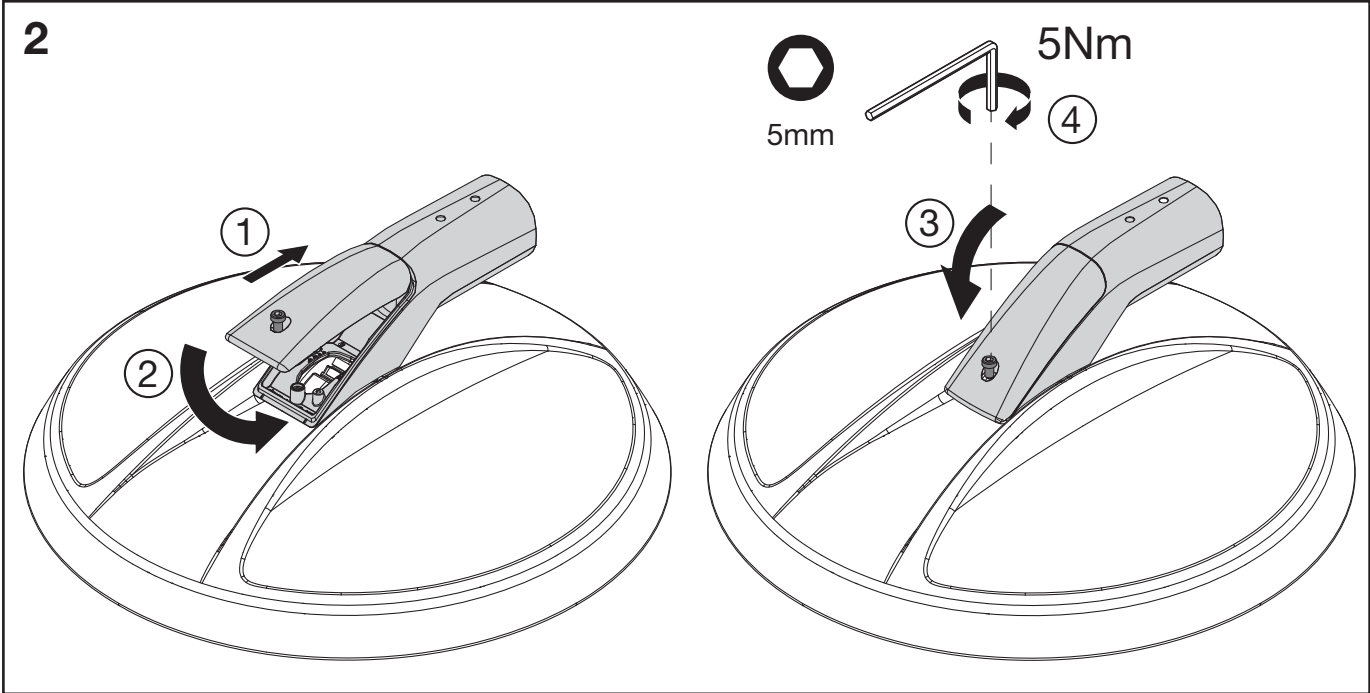


siteco

Mastansatz / mast side entry







5MA72-246529_ah
17.05.2017 / WEI

Siteco GmbH
Georg-Simon-Ohm-Straße 50
83301 Traunreut, Germany
mail: technicalsupport@siteco.de
Phone: +49 8669 / 33-844
www.siteco.com