

Order No.: 5XA1573K1B208 | GTIN (EAN): 4058352168073

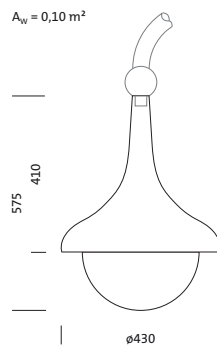
Product description: SmBell,ST1.2a,LED1750lm740,Plus



Small Bell, mast luminaire, primary light control with 3 zone faceted reflector, of plastic, aluminium vaporised, primary optical cover: enclosure, of PMMA, transparent structured, light distribution: ST1.2a, light emission: direct distribution, primary light characteristic: asymmetric, installation type: suspended mounting, LED, High Power LED, rated luminous flux: 1.750lm, luminous efficacy: 133lm/W, light colour: 740, colour temperature: 4000K, control gear: ECG Plus, control: flexible luminous flux parameterisation, time-dependent luminous flux control, constant luminous flux control, digital communication interface, power reduction, electronic power reduction, mains connection: 230..240V, AC, 50/60Hz, start of lifetime: 13W, end of service life: 14W, reduction: 7W, luminaire housing, bell-shaped, of glass-fibre reinforced polyester, coated, Siteco® metallic grey (DB 702S), please order curved mast extension separately, diameter: 430mm, height: 575mm, protection rating (complete): IP54, insulation class (complete): insulation class II (safety insulation), certification: CE, ENEC, VDE, impact resistance: IK07, standard-compliant lighting for roads and squares, packaging unit: 1 piece



Lamps:	LED
Wt. (kg):	5.3
GTIN (EAN):	4058352168073



It is mandatory that the assembly instructions must be observed when planning and installing the electrical installation (to be found at www.siteco.de)

Tolerances related to thermal, electrical and photometric data according to IEC 62722

Issued 16.02.2024 - Modifications and errors subject to change - Ensure that you always use the latest version -

Order No.: 5XA1573K1B208 | GTIN (EAN): 4058352168073

Detailed technical description: SmBell,ST1.2a,LED1750lm740,Plus



Key data

- Product type: mast luminaire
- Product name: Small Bell
- Order No.: 5XA1573K1B208

Lighting technology | Lamps | Control gear

Component 1

Lighting technology:

- Light control: 3 zone faceted reflector of plastic, aluminium vaporised
- Cover: enclosure, transparent structured
- Light distribution: ST1.2a
- Beam angle: wide distribution
- Symmetry: asymmetric distribution
- Light emission: direct distribution

Lamps:

- Lamps: with High Power LED, LED
- Rated luminous flux: 1750lm
- Luminous efficacy: 133lm/W
- Colour temperature: 4000K
- Colour rendering index: CRI > 70
- Light colour: 740
- SDCM (Standard Deviation of Colour Matching): MacAdam ≤ 5 SDCM (initial)
- Rated input power begin service life: 13
- Rated input power end service life: 14
- Rated input power at 50% lumin. flux: 7

Operating device:

- Control gear: ECG Plus
- Control: Plus
- Equipment: power reduction, digital communication interface, constant luminous flux control, time-dependent luminous flux control, flexible luminous flux parameterisation
- Switching method: electronic power reduction

Certificates, Standards

- Protection rating: IP54
- Insulation class: insulation class II (safety insulation)
- Impact resistance: IK07
- Supplement: standard-compliant lighting for roads and squares
- Certification, designation: CE, ENEC, VDE

Material, Colour

- luminaire housing: glass-fibre reinforced polyester, coated, Siteco® metallic grey (DB 702S), bell-shaped, please order curved mast extension separately
- Colour specification: Siteco® metallic grey (DB 702S)
- Cover: enclosure of PMMA

Mounting

- Mounting method, mounting location: suspended mounting, to curve

Electrical connection

- Nominal voltage: 230..240V, 50/60Hz, AC
- Surge voltage resistance: 6kV 1.2/50µs

Dimensions, Weight

- Diameter: 430mm
- Height: 575mm
- Weight: 5.3kg

Light emission

- Light emission: < 3%

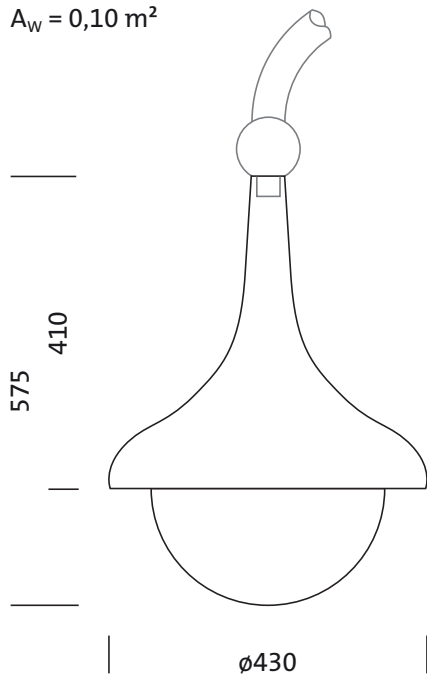
Service life

- Rated service life: 80000h (L97/B10) at AT = 25°C

Order No.: 5XA1573K1B208 | GTIN (EAN): 4058352168073

Dimensions: SmBell,ST1.2a,LED1750lm740,Plus

$A_w = 0,10 \text{ m}^2$



It is mandatory that the assembly instructions must be observed when planning and installing the electrical installation (to be found at www.siteco.de)

Tolerances related to thermal, electrical and photometric data according to IEC 62722

Issued 16.02.2024 - Modifications and errors subject to change - Ensure that you always use the latest version -

Order No.: 5XA1573K1B208 | GTIN (EAN): 4058352168073

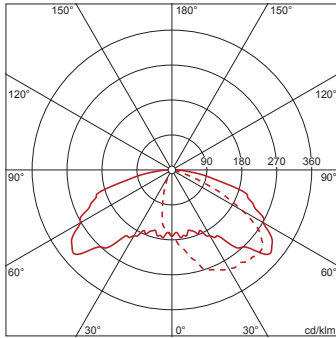
Planning data: SmBell,ST1.2a,LED1750lm740,Plus

5XA1573K1B208: 1x LED

4058352168073

5XA1573K1B208

LED 4000 K | CRI \geq 70 ϕ_N 1750 lm



— C 0/180 - - - C 90/270

Luminous intensity class according to
EN13201-2: G1

It is mandatory that the assembly instructions must be observed when planning and installing the electrical installation (to be found at www.siteco.de)

Tolerances related to thermal, electrical and photometric data according to IEC 62722

Issued 16.02.2024 - Modifications and errors subject to change - Ensure that you always use the latest version -