

Order No.: 51MR36FD0421B | **GTIN (EAN):** 4058352829851

Product description: Round21M,opal,dir,7110lm840,DA2,bk



Round 21 M, wall and ceiling luminaire, primary optical cover: cover, of PMMA, opal, light emission: direct distribution, primary light characteristic: symmetric, installation type: surface-mounted, suspended mounting, LED, rated luminous flux: 7.110lm, luminous efficacy: 130lm/W, light colour: 840, colour temperature: 4000K, with terminal, 5-pole, mains connection: 230V, AC, 50/60Hz, rated input power: 55W, housing, of aluminium, coated, black, diameter: 600mm, height: 62mm, protection rating (complete): IP40, insulation class (complete): insulation class I (protective earthing), certification: CE, impact resistance: IK04, permissible operating ambient temperature: -10..+35°C, packaging unit: 1 piece

IP 40  

Lamps:	LED
Wt. (kg):	5.3
GTIN (EAN):	4058352829851



It is mandatory that the assembly instructions must be observed when planning and installing the electrical installation (to be found at www.siteco.com)

Tolerances related to thermal, electrical and photometric data according to IEC 62722

Issued 15.09.2023 - Modifications and errors subject to change - Ensure that you always use the latest version -

Order No.: 51MR36FD0421B | GTIN (EAN): 4058352829851

Detailed technical description: Round21M,opal,dir,7110lm840,DA2,bk



Key data

- Product type: wall and ceiling luminaire
- Product name: Round 21 M
- Order No.: 51MR36FD0421B

Lighting technology | Lamps | Control gear

Component 1

Lighting technology:

- Cover: cover, opal
- Beam angle: 105°
- Symmetry: symmetric
- Light emission: direct distribution
- UGR viewing direction along longitudinal luminaire axis: ≤ 25
- UGR viewing direction along lateral luminaire axis: ≤ 25

Lamps:

- Lamps: with LED
- Rated luminous flux: 7110lm
- Luminous efficacy: 130lm/W
- Colour temperature: 4000K
- Colour rendering index: CRI > 80
- Light colour: 840
- SDCM (Standard Deviation of Colour Matching): MacAdam ≤ 3 SDCM (initial)
- Rated input power: 55W

Operating device:

- Control: DALI 2

Certificates, Standards

- Protection rating: IP40
- Insulation class: insulation class I (protective earthing)
- Impact resistance: IK04
- Temperature range (operation): -10..+35°C
- Certification, designation: CE

Material, Colour

- housing: aluminium, coated, black
- Colour specification: black
- Cover: cover of PMMA

Mounting

- Mounting method, mounting location: suspended mounting, surface-mounted, to the ceiling, to the wall
- Arrangement: single arrangement

Electrical connection

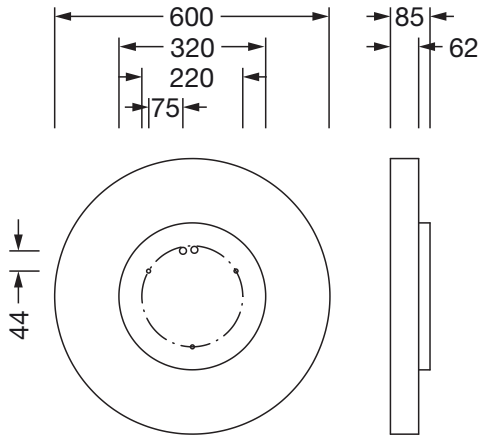
- Connection: terminal, 5-pole
- Nominal voltage: 230V, 50/60Hz, AC

Dimensions, Weight

- Diameter: 600mm
- Height: 62mm
- Weight: 5.3kg

Order No.: 51MR36FD0421B | GTIN (EAN): 4058352829851

Dimensions: Round21M,opal,dir,7110lm840,DA2,bk



It is mandatory that the assembly instructions must be observed when planning and installing the electrical installation (to be found at www.siteco.com)
Tolerances related to thermal, electrical and photometric data according to IEC 62722
Issued 15.09.2023 - Modifications and errors subject to change - Ensure that you always use the latest version -