

**Order No.:** 51MR36GD0421S | **GTIN (EAN):** 4058352881651

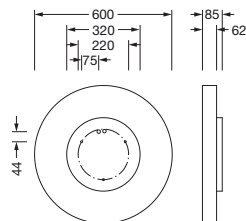
**Product description:** Round21M,opal,dir/ind,7110lm840,DA2,sr



Round 21 M, wall and ceiling luminaire, primary optical cover: cover, of PMMA, opal, light emission: direct/indirect distribution, primary light characteristic: symmetric, installation type: suspended mounting, surface-mounted, LED, rated luminous flux: 7.110lm, luminous efficacy: 130lm/W, light colour: 840, colour temperature: 4000K, with terminal, 5-pole, mains connection: 230V, AC, 50/60Hz, rated input power: 55W, housing, of aluminium, coated, silver, diameter: 600mm, height: 62mm, protection rating (complete): IP40, insulation class (complete): insulation class I (protective earthing), certification: CE, impact resistance: IK04, permissible operating ambient temperature: -10..+35°C, packaging unit: 1 piece

IP 40  

|             |               |
|-------------|---------------|
| Lamps:      | LED           |
| Wt. (kg):   | 5.8           |
| GTIN (EAN): | 4058352881651 |



It is mandatory that the assembly instructions must be observed when planning and installing the electrical installation (to be found at [www.siteco.com](http://www.siteco.com))

Tolerances related to thermal, electrical and photometric data according to IEC 62722

Issued 15.09.2023 - Modifications and errors subject to change - Ensure that you always use the latest version -

Order No.: 51MR36GD0421S | GTIN (EAN): 4058352881651

Detailed technical description: Round21M,opal,dir/ind,7110lm840,DA2,sr



#### Key data

- Product type: wall and ceiling luminaire
- Product name: Round 21 M
- Order No.: 51MR36GD0421S

#### Lighting technology | Lamps | Control gear

#### Component 1

#### Lighting technology:

- Cover: cover, opal
- Beam angle: 105°
- Symmetry: symmetric
- Light emission: direct/indirect distribution
- UGR viewing direction along longitudinal luminaire axis:  $\leq 22$
- UGR viewing direction along lateral luminaire axis:  $\leq 22$

#### Lamps:

- Lamps: with LED
- Rated luminous flux: 7110lm
- Luminous efficacy: 130lm/W
- Colour temperature: 4000K
- Colour rendering index: CRI > 80
- Light colour: 840
- SDCM (Standard Deviation of Colour Matching): MacAdam  $\leq 3$  SDCM (initial)
- Rated input power: 55W

#### Operating device:

- Control: DALI 2

#### Certificates, Standards

- Protection rating: IP40
- Insulation class: insulation class I (protective earthing)
- Impact resistance: IK04
- Temperature range (operation): -10..+35°C
- Certification, designation: CE

#### Material, Colour

- housing: aluminium, coated, silver
- Colour specification: silver
- Cover: cover of PMMA

#### Mounting

- Mounting method, mounting location: suspended mounting, surface-mounted, to the ceiling, to the wall
- Arrangement: single arrangement

#### Electrical connection

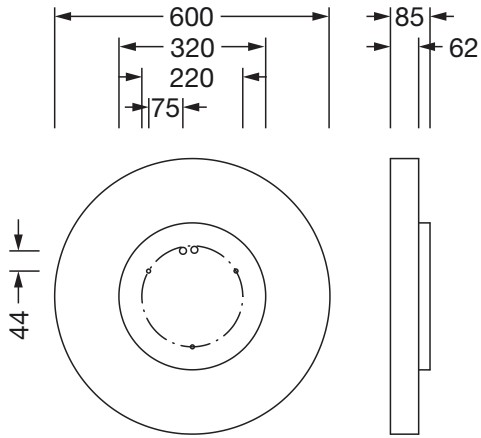
- Connection: terminal, 5-pole
- Nominal voltage: 230V, 50/60Hz, AC

#### Dimensions, Weight

- Diameter: 600mm
- Height: 62mm
- Weight: 5.8kg

Order No.: 51MR36GD0421S | GTIN (EAN): 4058352881651

Dimensions: Round21M,opal,dir/ind,7110lm840,DA2,sr



It is mandatory that the assembly instructions must be observed when planning and installing the electrical installation (to be found at [www.siteco.com](http://www.siteco.com))

Tolerances related to thermal, electrical and photometric data according to IEC 62722

Issued 15.09.2023 - Modifications and errors subject to change - Ensure that you always use the latest version -