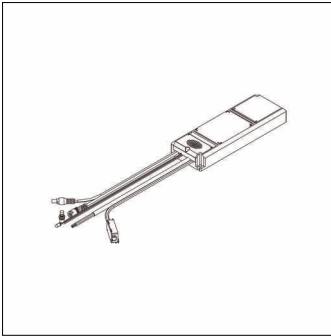


Order No.: 58DB00B013A | GTIN (EAN): 4069025012647

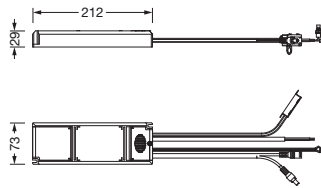
Product description: Lun21emerg.lght.elem,3h,rec



Lunis 21, emergency light element, installation type: recessed, EM-KIT 3h, rated input power: 3W, battery: LiFeP04, housing, of steel, white, protection rating (complete): IP20, insulation class (complete): insulation class II (safety insulation), certification: CE, impact resistance: IK02, permissible operating ambient temperature: 0..+50°C, packaging unit: 1 piece

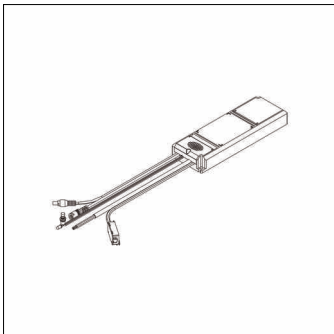
IP 20  

Wt. (kg): 0.5
GTIN (EAN): 4069025012647



Order No.: 58DB00B013A | GTIN (EAN): 4069025012647

Detailed technical description: Lun21 emerg.lght.elem,3h,rec



Key data

- Product type: emergency light element
- Product name: Lunis 21
- Order No.: 58DB00B013A

Lighting technology | Lamps | Control gear

Component 1

Lamps:

- Supplement: LED status display: green
= system ok; red = failure

Component 2

Operating device:

- Battery: LiFeP04
- Nominal service life: 3h

Certificates, Standards

- Protection rating: IP20
- Insulation class: insulation class II (safety insulation)
- Impact resistance: IK02
- Temperature range (operation): 0..+50°C
- Certification, designation: CE

Material, Colour

- housing: steel, white
- Colour specification: white

Mounting

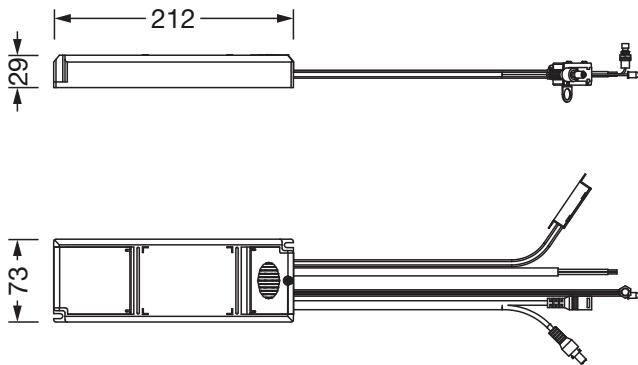
- Mounting method, mounting location: recessed, in the luminaire

Dimensions, Weight

- Weight: 0.5kg

Order No.: 58DB00B013A | GTIN (EAN): 4069025012647

Dimensions: Lun21emerg.lght.elem,3h,rec



It is mandatory that the assembly instructions must be observed when planning and installing the electrical installation (to be found at www.siteco.com)

Tolerances related to thermal, electrical and photometric data according to IEC 62722

Issued 06.03.2024 - Modifications and errors subject to change - Ensure that you always use the latest version -