

## School - Cafeteria

Installation : Comfolight2 Pendant mounted (1x 35 W) Eldacon

Project number : Standard example

Customer :

Processed by : Siteco

Date : 01.2008

Project description:

Room dimensions L/ B/ H: 16,10/ 8,50/ 2,80 m

According to DIN EN 12 464-1

Maintenance factor 0,67

Reflectance 70/ 50/ 20

Die Ermittlung der Beleuchtungsergebnisse erfolgte verkaufsunterstützend mit größter Sorgfalt auf Basis der uns vorliegenden Unterlagen mit Hilfe von marktüblichen Berechnungsverfahren (z.B. Relux, Dialux).

Eine Garantie / Gewährleistung / Haftung für diese kostenlose Errechnung wird von SITECO nicht übernommen. Wir verweisen in diesem Zusammenhang auf die Leistungen der Lichtplanungs- u. Ingenieurbüros.

The determination of the lighting results is performed on a sales support basis, with great thoroughness, using the documents at our disposal and with the aid of calculating procedures customary in the market (e.g. Relux, Dialux).

A guarantee / warranty / liability for this free calculation is not provided by SITECO. In this respect, we refer to the services of the light planning and engineering office.

The following values are based on exact calculations on calibrated lamps, luminaires and their arrangement. In practice, gradual divergences can occur.

Guarantee claims for luminaire data are excluded.

Relux and the luminaire manufacturers accept no liability for consequential damage and damage which is occasioned to the user or to third parties.

Object : School - Cafeteria  
Installation : Comfolight2 Pendant mounted (1x 35 W)  
Project number : Standard example  
Date : 01.2008

## 1 Luminaire data

### 1.1 Siteco, Europlex (5LJ 234 7-2C)

#### 1.1.1 Data sheet

---

**Manufacturer: Siteco**

**5LJ 234 7-2C Wannenleuchte für Deckenanbau oder abgehängte Montage Europlex**

Grundplatte aus Stahlblech, leuchtenweiß (ähnlich RAL 9010)

Opalwanne, PMMA

breit strahlend mit Deckenaufhellung

Schutzart:IP 50

Schutzklasse: SK I

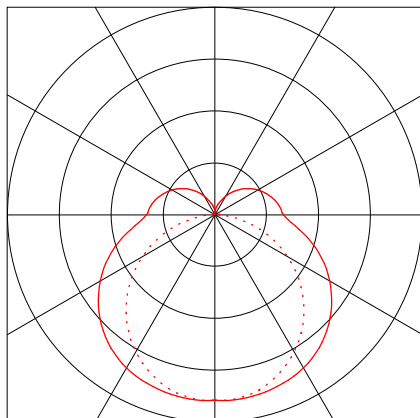
Montageart: Anbau, abgehängt

#### Luminaire data

Luminaires efficiency : 67.5% (B31)  
Control gear : EVG  
System power : 70 W  
Length : 1270 mm  
Width : 185 mm  
Height : 99 mm

#### Equipped with

Number of : 2  
Designation : FD  
Power : 36 W  
Colour :  
Luminous flux : 3200 lm



Object : School - Cafeteria  
Installation : Comfolight2 Pendant mounted (1x 35 W)  
Project number : Standard example  
Date : 01.2008

## 1 Luminaire data

### 1.2 Siteco, Europlex (5LJ 235 1-2CX1)

#### 1.2.1 Data sheet

**Manufacturer: Siteco**

**5LJ 235 1-2CX1 Wannenleuchte für Deckenanbau oder abgehängte Montage Europlex**

Grundplatte aus Stahlblech, leuchtenweiß (ähnlich RAL 9010)

Prismenwanne, PMMA

breit strahlend mit Deckenaufhellung

Schutzart:IP 50

Schutzklasse: SK I

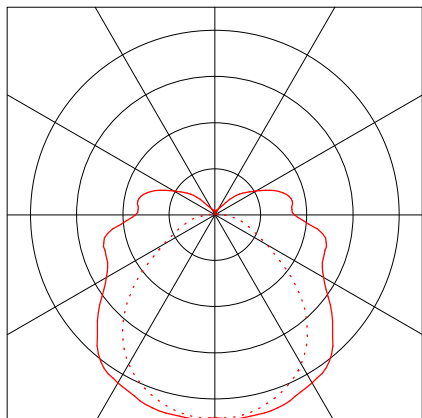
Montageart: Anbau, abgehängt

#### Luminaire data

Luminaires efficiency : 74.9% (B31)  
Control gear : VVG  
System power : 84 W  
Length : 1270 mm  
Width : 185 mm  
Height : 99 mm

#### Equipped with

Number of : 2  
Designation : FD  
Power : 36 W  
Colour :  
Luminous flux : 3350 lm



Object : School - Cafeteria  
Installation : Comfolight2 Pendant mounted (1x 35 W)  
Project number : Standard example  
Date : 01.2008

## 1 Luminaire data

### 1.3 Siteco, Europlex (5LJ 235 1-2EX1)

#### 1.3.1 Data sheet

---

**Manufacturer: Siteco**

**5LJ 235 1-2EX1 Wannenleuchte für Deckenanbau oder abgehängte Montage Europlex**

Grundplatte aus Stahlblech, leuchtenweiß (ähnlich RAL 9010)

Prismenwanne, PMMA

breit strahlend mit Deckenaufhellung

Schutzart:IP 50

Schutzklasse: SK I

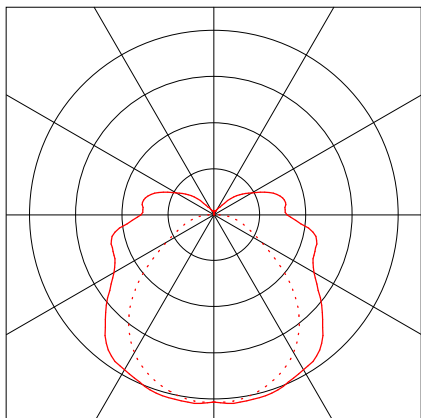
Montageart: Anbau, abgehängt

#### Luminaire data

Luminaires efficiency : 69.1% (B31)  
Control gear : VVG  
System power : 134 W  
Length : 1570 mm  
Width : 185 mm  
Height : 99 mm

#### Equipped with

Number of : 2  
Designation : FD  
Power : 58 W  
Colour :  
Luminous flux : 5200 lm



Object : School - Cafeteria  
Installation : Comfolight2 Pendant mounted (1x 35 W)  
Project number : Standard example  
Date : 01.2008

## 1 Luminaire data

### 1.4 Siteco, COMFOLIGHT 2 (5MF 238 7-1QS)

#### 1.4.1 Data sheet

**Manufacturer: Siteco**

**5MF 238 7-1QS Einzelleuchte für abgehängte Montage COMFOLIGHT 2**

Gehäuse aus Aluminium-Strangpreßprofil

mit ELDAICON-Lichtlenkung

direkt / indirekt strahlend

Schutzart:IP 20

Schutzklasse: SK I

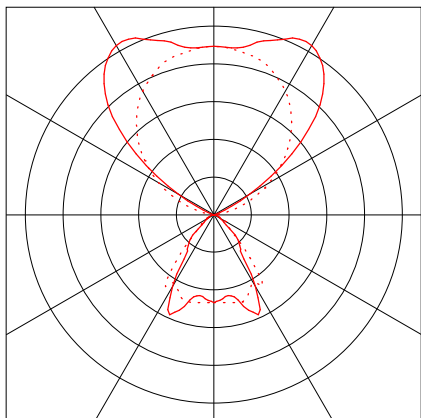
Montageart: abgehängt

#### Luminaire data

Luminaires efficiency : 87.4% (D63)  
Control gear : EVG  
System power : 39 W  
Length : 1554 mm  
Width : 162 mm  
Height : 56 mm

#### Equipped with

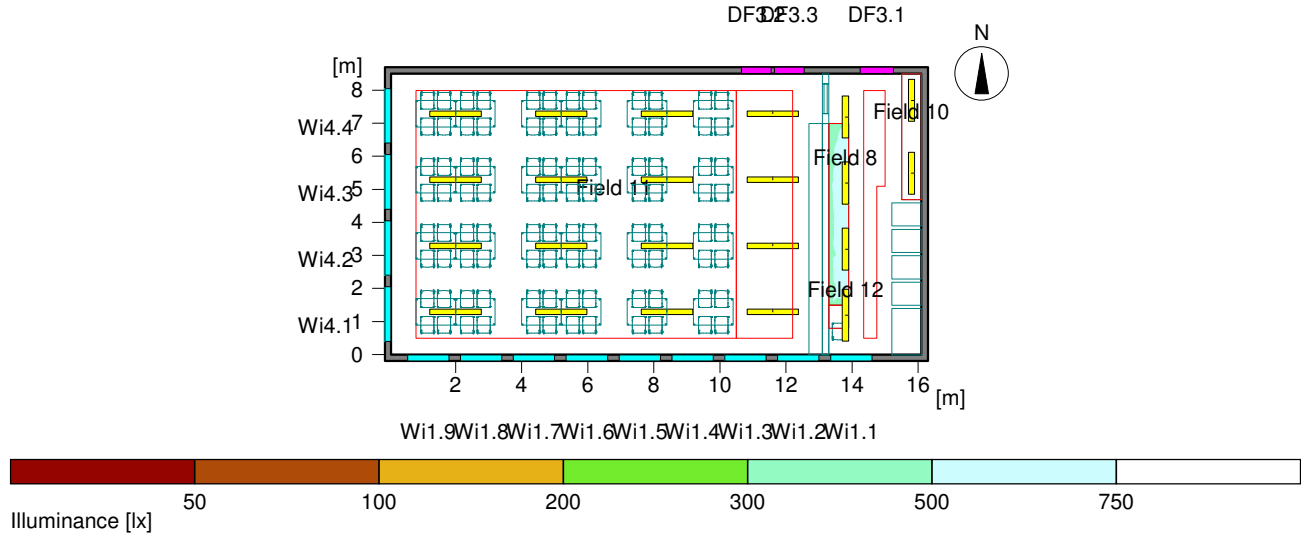
Number of : 1  
Designation : FDH  
Power : 35 W  
Colour :  
Luminous flux : 3300 lm



## 2 Raum

### 2.1 Summary, Raum

#### 2.1.1 Result overview, Essen



#### General

|                              |                           |
|------------------------------|---------------------------|
| Calculation algorithm used   | Average indirect fraction |
| Height of evaluation surface | 0.75 m                    |
| Maintenance factor           | 0.67                      |

|   |                       |
|---|-----------------------|
| Total luminous flux of all lamps              | 96100 lm              |
| Total power                                   | 1150 W                |
| Total power per area (136.43 m <sup>2</sup> ) | 8.43 W/m <sup>2</sup> |

#### Illuminance

|                     |                       |               |
|---------------------|-----------------------|---------------|
| Average illuminance | Eav                   | 505 lx        |
| Minimum illuminance | Emin                  | 395 lx        |
| Maximum illuminance | E <sub>max</sub>      | 562 lx        |
| Uniformity g1       | Emin/Em               | 1:1.28 (0.78) |
| Uniformity g2       | Emin/E <sub>max</sub> | 1:1.42 (0.7)  |

#### Type No.\Make

|   |   | <b>Siteco</b>  |                         |
|---|---|----------------|-------------------------|
| 1 | 2 | Order No.      | : 5LJ 234 7-2C          |
|   |   | Luminaire name | : Europlex              |
|   |   | Equipment      | : 2 x FD 36 W / 3200 lm |
| 2 | 3 | Order No.      | : 5LJ 235 1-2CX1        |
|   |   | Luminaire name | : Europlex              |
|   |   | Equipment      | : 2 x FD 36 W / 3350 lm |
| 3 | 1 | Order No.      | : 5LJ 235 1-2EX1        |
|   |   | Luminaire name | : Europlex              |
|   |   | Equipment      | : 2 x FD 58 W / 5200 lm |

Object : School - Cafeteria  
Installation : Comfolight2 Pendant mounted (1x 35 W)  
Project number : Standard example  
Date : 01.2008

## 2 Raum

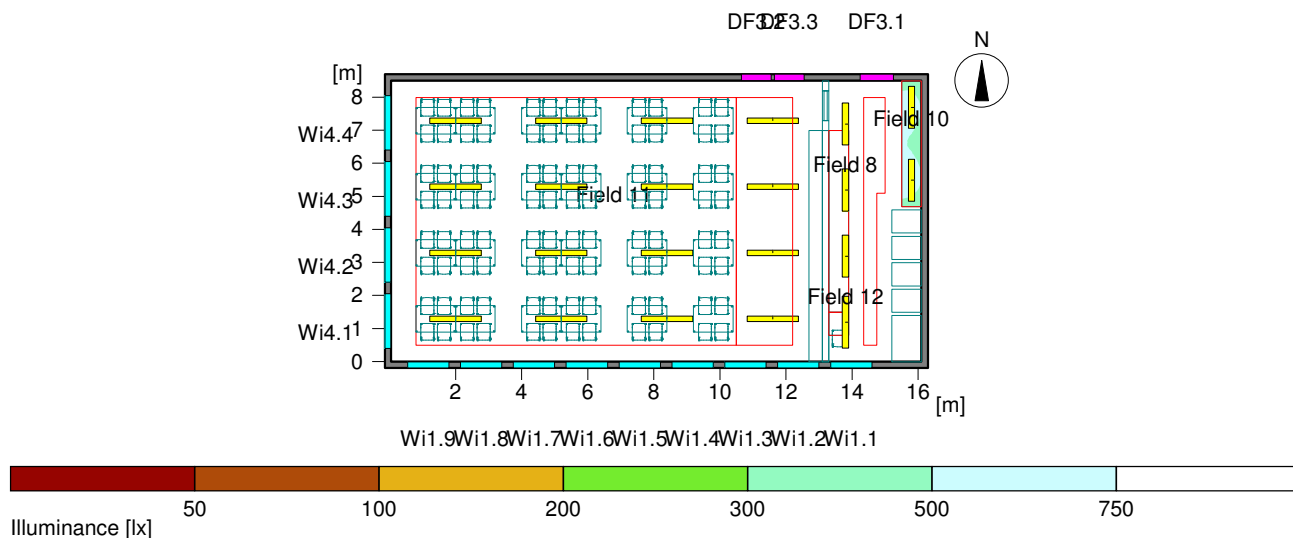
### 2.1 Summary, Raum

#### 2.1.1 Result overview, Essen

|   |    |                |                          |
|---|----|----------------|--------------------------|
| 4 | 16 | Order No.      | : 5MF 238 7-1QS          |
|   |    | Luminaire name | : COMFOLIGHT 2           |
|   |    | Equipment      | : 1 x FDH 35 W / 3300 lm |

## 2.1 Summary, Raum

### 2.1.2 Result overview, Essen



#### General

|                              |                           |
|------------------------------|---------------------------|
| Calculation algorithm used   | Average indirect fraction |
| Height of evaluation surface | 0.75 m                    |
| Maintenance factor           | 0.67                      |

|   |                       |
|---|-----------------------|
| Total luminous flux of all lamps              | 96100 lm              |
| Total power                                   | 1150 W                |
| Total power per area (136.43 m <sup>2</sup> ) | 8.43 W/m <sup>2</sup> |

#### Illuminance

|                     |           |               |
|---------------------|-----------|---------------|
| Average illuminance | Eav       | 516 lx        |
| Minimum illuminance | Emin      | 365 lx        |
| Maximum illuminance | Emax      | 621 lx        |
| Uniformity g1       | Emin/Em   | 1:1.41 (0.71) |
| Uniformity g2       | Emin/Emax | 1:1.7 (0.59)  |

#### Type No.\Make

|   |   | <b>Siteco</b>  |                         |
|---|---|----------------|-------------------------|
| 1 | 2 | Order No.      | : 5LJ 234 7-2C          |
|   |   | Luminaire name | : Europlex              |
|   |   | Equipment      | : 2 x FD 36 W / 3200 lm |
| 2 | 3 | Order No.      | : 5LJ 235 1-2CX1        |
|   |   | Luminaire name | : Europlex              |
|   |   | Equipment      | : 2 x FD 36 W / 3350 lm |
| 3 | 1 | Order No.      | : 5LJ 235 1-2EX1        |
|   |   | Luminaire name | : Europlex              |
|   |   | Equipment      | : 2 x FD 58 W / 5200 lm |

Object : School - Cafeteria  
Installation : Comfolight2 Pendant mounted (1x 35 W)  
Project number : Standard example  
Date : 01.2008

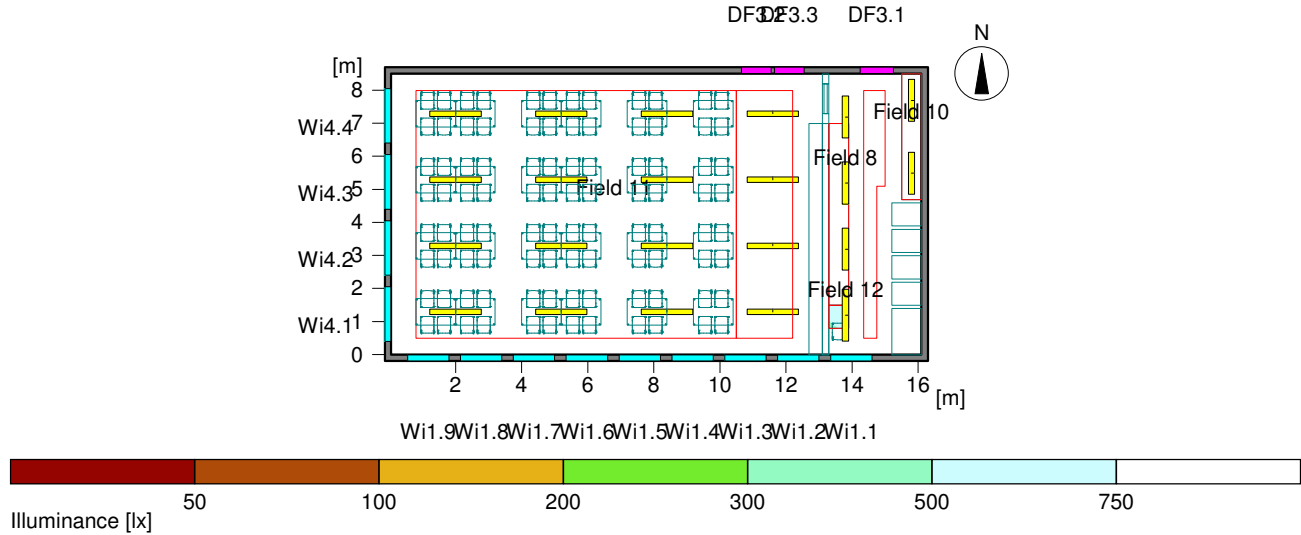
## 2.1 Summary, Raum

### 2.1.2 Result overview, Essen

|   |    |                |                          |
|---|----|----------------|--------------------------|
| 4 | 16 | Order No.      | : 5MF 238 7-1QS          |
|   |    | Luminaire name | : COMFOLIGHT 2           |
|   |    | Equipment      | : 1 x FDH 35 W / 3300 lm |

## 2.1 Summary, Raum

### 2.1.3 Result overview, Kasse



#### General

|                              |                           |
|------------------------------|---------------------------|
| Calculation algorithm used   | Average indirect fraction |
| Height of evaluation surface | 0.85 m                    |
| Maintenance factor           | 0.67                      |

|   |                       |
|---|-----------------------|
| Total luminous flux of all lamps              | 96100 lm              |
| Total power                                   | 1150 W                |
| Total power per area (136.43 m <sup>2</sup> ) | 8.43 W/m <sup>2</sup> |

#### Illuminance

|                     |                                    |               |
|---------------------|------------------------------------|---------------|
| Average illuminance | Eav                                | 539 lx        |
| Minimum illuminance | Emin                               | 482 lx        |
| Maximum illuminance | E <sub>max</sub>                   | 576 lx        |
| Uniformity g1       | E <sub>min</sub> /E <sub>m</sub>   | 1:1.12 (0.89) |
| Uniformity g2       | E <sub>min</sub> /E <sub>max</sub> | 1:1.2 (0.84)  |

#### Type No.\Make

|   |   | <b>Siteco</b>  |                         |
|---|---|----------------|-------------------------|
| 1 | 2 | Order No.      | : 5LJ 234 7-2C          |
|   |   | Luminaire name | : Europlex              |
|   |   | Equipment      | : 2 x FD 36 W / 3200 lm |
| 2 | 3 | Order No.      | : 5LJ 235 1-2CX1        |
|   |   | Luminaire name | : Europlex              |
|   |   | Equipment      | : 2 x FD 36 W / 3350 lm |
| 3 | 1 | Order No.      | : 5LJ 235 1-2EX1        |
|   |   | Luminaire name | : Europlex              |
|   |   | Equipment      | : 2 x FD 58 W / 5200 lm |

Object : School - Cafeteria  
Installation : Comfolight2 Pendant mounted (1x 35 W)  
Project number : Standard example  
Date : 01.2008

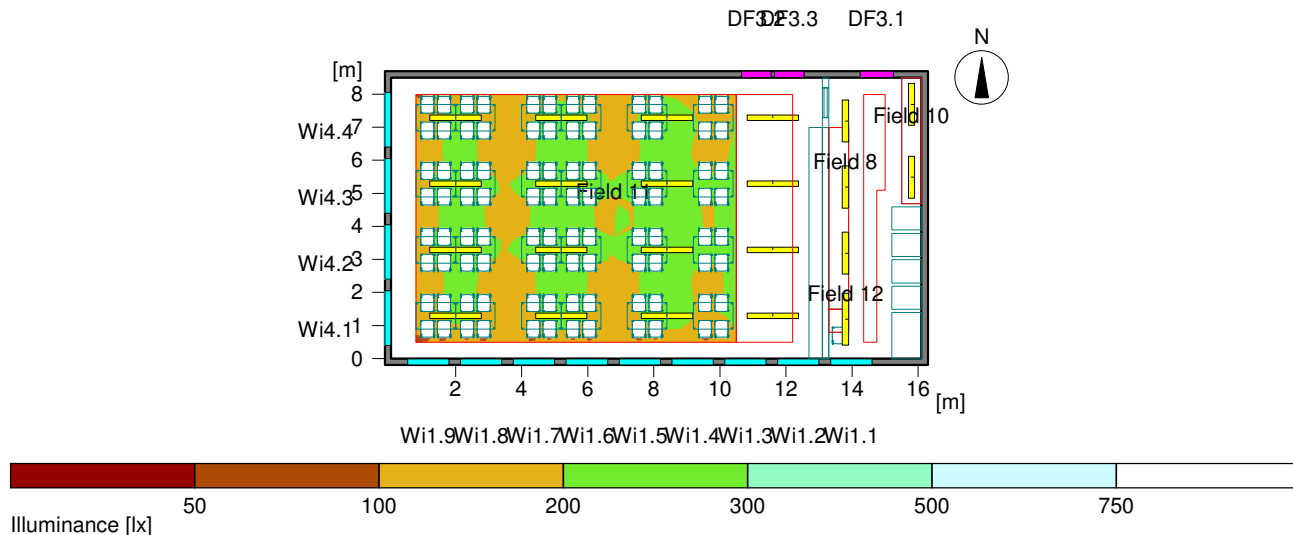
## 2.1 Summary, Raum

### 2.1.3 Result overview, Kasse

|   |    |                |                          |
|---|----|----------------|--------------------------|
| 4 | 16 | Order No.      | : 5MF 238 7-1QS          |
|   |    | Luminaire name | : COMFOLIGHT 2           |
|   |    | Equipment      | : 1 x FDH 35 W / 3300 lm |

## 2.1 Summary, Raum

### 2.1.4 Result overview, Nutzebene



#### General

|                              |                           |
|------------------------------|---------------------------|
| Calculation algorithm used   | Average indirect fraction |
| Height of evaluation surface | 0.75 m                    |
| Maintenance factor           | 0.67                      |

|   |                       |
|---|-----------------------|
| Total luminous flux of all lamps              | 96100 lm              |
| Total power                                   | 1150 W                |
| Total power per area (136.43 m <sup>2</sup> ) | 8.43 W/m <sup>2</sup> |

#### Illuminance

|                     |                                    |               |
|---------------------|------------------------------------|---------------|
| Average illuminance | Eav                                | 204 lx        |
| Minimum illuminance | Emin                               | 138 lx        |
| Maximum illuminance | E <sub>max</sub>                   | 271 lx        |
| Uniformity g1       | E <sub>min</sub> /E <sub>m</sub>   | 1:1.47 (0.68) |
| Uniformity g2       | E <sub>min</sub> /E <sub>max</sub> | 1:1.96 (0.51) |

#### Type No.\Make

|   |   | <b>Siteco</b>  |                         |
|---|---|----------------|-------------------------|
| 1 | 2 | Order No.      | : 5LJ 234 7-2C          |
|   |   | Luminaire name | : Europlex              |
|   |   | Equipment      | : 2 x FD 36 W / 3200 lm |
| 2 | 3 | Order No.      | : 5LJ 235 1-2CX1        |
|   |   | Luminaire name | : Europlex              |
|   |   | Equipment      | : 2 x FD 36 W / 3350 lm |
| 3 | 1 | Order No.      | : 5LJ 235 1-2EX1        |
|   |   | Luminaire name | : Europlex              |
|   |   | Equipment      | : 2 x FD 58 W / 5200 lm |

Object : School - Cafeteria  
Installation : Comfolight2 Pendant mounted (1x 35 W)  
Project number : Standard example  
Date : 01.2008

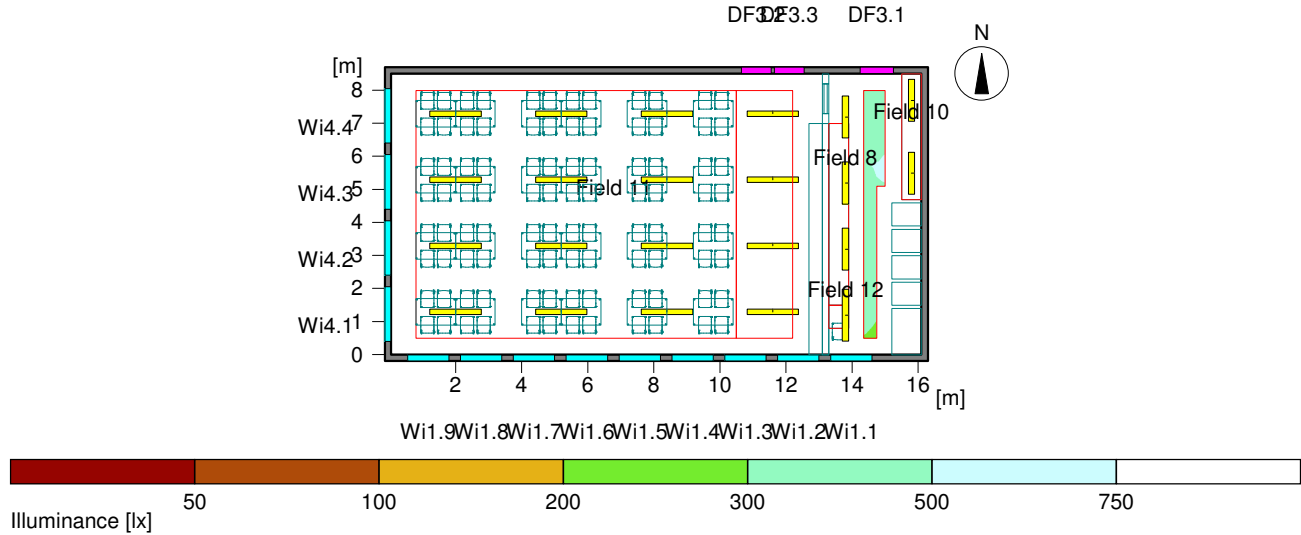
## 2.1 Summary, Raum

### 2.1.4 Result overview, Nutzebene

|   |    |                |                          |
|---|----|----------------|--------------------------|
| 4 | 16 | Order No.      | : 5MF 238 7-1QS          |
|   |    | Luminaire name | : COMFOLIGHT 2           |
|   |    | Equipment      | : 1 x FDH 35 W / 3300 lm |

## 2.1 Summary, Raum

### 2.1.5 Result overview, Küchenboden



#### General

|                              |                           |
|------------------------------|---------------------------|
| Calculation algorithm used   | Average indirect fraction |
| Height of evaluation surface | 0.20 m                    |
| Maintenance factor           | 0.67                      |

|   |                       |
|---|-----------------------|
| Total luminous flux of all lamps              | 96100 lm              |
| Total power                                   | 1150 W                |
| Total power per area (136.43 m <sup>2</sup> ) | 8.43 W/m <sup>2</sup> |

#### Illuminance

|                     |           |               |
|---------------------|-----------|---------------|
| Average illuminance | Eav       | 423 lx        |
| Minimum illuminance | Emin      | 280 lx        |
| Maximum illuminance | Emax      | 506 lx        |
| Uniformity g1       | Emin/Em   | 1:1.51 (0.66) |
| Uniformity g2       | Emin/Emax | 1:1.8 (0.55)  |

#### Type No.\Make

|   |   |                |                         |
|---|---|----------------|-------------------------|
|   |   | <b>Siteco</b>  |                         |
| 1 | 2 | Order No.      | : 5LJ 234 7-2C          |
|   |   | Luminaire name | : Europlex              |
|   |   | Equipment      | : 2 x FD 36 W / 3200 lm |
| 2 | 3 | Order No.      | : 5LJ 235 1-2CX1        |
|   |   | Luminaire name | : Europlex              |
|   |   | Equipment      | : 2 x FD 36 W / 3350 lm |
| 3 | 1 | Order No.      | : 5LJ 235 1-2EX1        |
|   |   | Luminaire name | : Europlex              |
|   |   | Equipment      | : 2 x FD 58 W / 5200 lm |

Object : School - Cafeteria  
Installation : Comfolight2 Pendant mounted (1x 35 W)  
Project number : Standard example  
Date : 01.2008

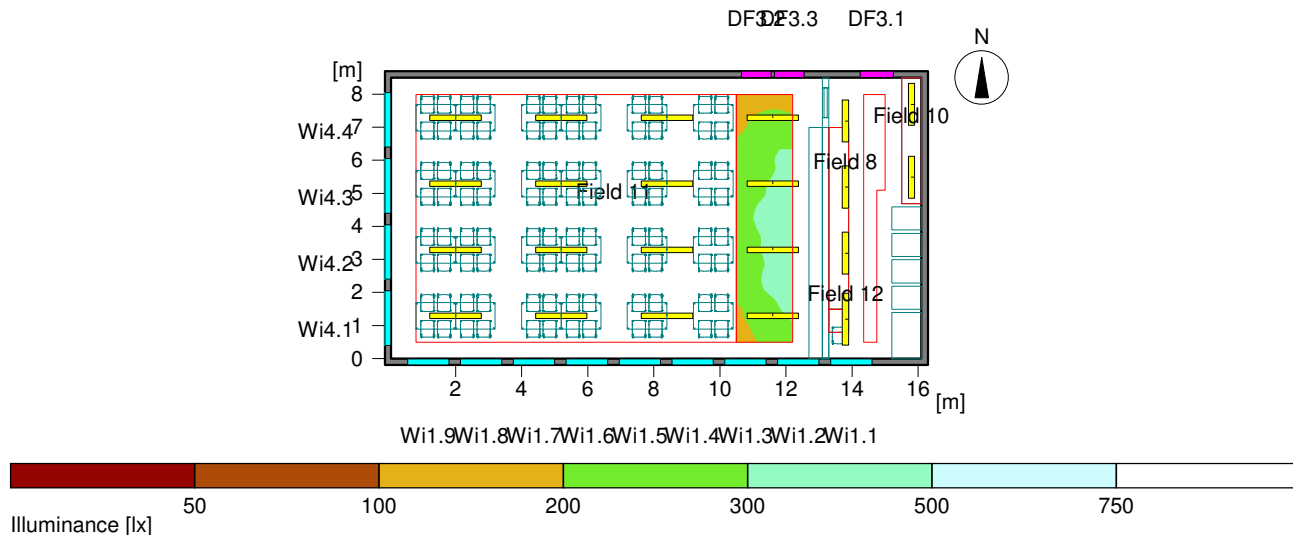
## 2.1 Summary, Raum

### 2.1.5 Result overview, Küchenboden

|   |    |                |                          |
|---|----|----------------|--------------------------|
| 4 | 16 | Order No.      | : 5MF 238 7-1QS          |
|   |    | Luminaire name | : COMFOLIGHT 2           |
|   |    | Equipment      | : 1 x FDH 35 W / 3300 lm |

## 2.1 Summary, Raum

### 2.1.6 Result overview, Measuring area (virtual) 10



#### General

|                              |                           |
|------------------------------|---------------------------|
| Calculation algorithm used   | Average indirect fraction |
| Height of evaluation surface | 0.20 m                    |
| Maintenance factor           | 0.67                      |

|   |                       |
|---|-----------------------|
| Total luminous flux of all lamps              | 96100 lm              |
| Total power                                   | 1150 W                |
| Total power per area (136.43 m <sup>2</sup> ) | 8.43 W/m <sup>2</sup> |

#### Illuminance

|                     |                       |               |
|---------------------|-----------------------|---------------|
| Average illuminance | Eav                   | 263 lx        |
| Minimum illuminance | Emin                  | 136 lx        |
| Maximum illuminance | E <sub>max</sub>      | 359 lx        |
| Uniformity g1       | Emin/Em               | 1:1.93 (0.52) |
| Uniformity g2       | Emin/E <sub>max</sub> | 1:2.63 (0.38) |

#### Type No.\Make

|   |   | <b>Siteco</b>  |                         |
|---|---|----------------|-------------------------|
| 1 | 2 | Order No.      | : 5LJ 234 7-2C          |
|   |   | Luminaire name | : Europlex              |
|   |   | Equipment      | : 2 x FD 36 W / 3200 lm |
| 2 | 3 | Order No.      | : 5LJ 235 1-2CX1        |
|   |   | Luminaire name | : Europlex              |
|   |   | Equipment      | : 2 x FD 36 W / 3350 lm |
| 3 | 1 | Order No.      | : 5LJ 235 1-2EX1        |
|   |   | Luminaire name | : Europlex              |
|   |   | Equipment      | : 2 x FD 58 W / 5200 lm |

Object : School - Cafeteria  
Installation : Comfolight2 Pendant mounted (1x 35 W)  
Project number : Standard example  
Date : 01.2008

## 2.1 Summary, Raum

### 2.1.6 Result overview, Measuring area (virtual) 10

|   |    |                |                          |
|---|----|----------------|--------------------------|
| 4 | 16 | Order No.      | : 5MF 238 7-1QS          |
|   |    | Luminaire name | : COMFOLIGHT 2           |
|   |    | Equipment      | : 1 x FDH 35 W / 3300 lm |

Object : School - Cafeteria  
Installation : Comfolight2 Pendant mounted (1x 35 W)  
Project number : Standard example  
Date : 01.2008

## 2 Raum

### 2.2 Calculation results, Raum

#### 2.2.1 3D luminance, Ansicht von links

---



---

Luminance in the scene  
Minimum: : 0 cd/m<sup>2</sup>  
Maximum: : 187 cd/m<sup>2</sup>