

## School - Cafeteria

Installation : Comfolight2 Pendant mounted (1x 35 W)

Project number : Standard example

Customer :

Processed by : Siteco

Date : 01.2008

Project description:

Room dimensions L/ B/ H: 16,10/ 8,50/ 2,80 m

According to DIN EN 12 464-1

Maintenance factor 0,67

Reflectance 70/ 50/ 20

Die Ermittlung der Beleuchtungsergebnisse erfolgte verkaufsunterstützend mit größter Sorgfalt auf Basis der uns vorliegenden Unterlagen mit Hilfe von marktüblichen Berechnungsverfahren (z.B. Relux, Dialux).

Eine Garantie / Gewährleistung / Haftung für diese kostenlose Errechnung wird von SITECO nicht übernommen. Wir verweisen in diesem Zusammenhang auf die Leistungen der Lichtplanungs- u. Ingenieurbüros.

The determination of the lighting results is performed on a sales support basis, with great thoroughness, using the documents at our disposal and with the aid of calculating procedures customary in the market (e.g. Relux, Dialux).

A guarantee / warranty / liability for this free calculation is not provided by SITECO. In this respect, we refer to the services of the light planning and engineering office.

The following values are based on exact calculations on calibrated lamps, luminaires and their arrangement. In practice, gradual divergences can occur.

Guarantee claims for luminaire data are excluded.

Relux and the luminaire manufacturers accept no liability for consequential damage and damage which is occasioned to the user or to third parties.

Object : School - Cafeteria  
Installation : Comfolight2 Pendant mounted (1x 35 W)  
Project number : Standard example  
Date : 01.2008

## 1 Luminaire data

### 1.1 Siteco, Europlex (5LJ 234 7-2C)

#### 1.1.1 Data sheet

---

**Manufacturer: Siteco**

**5LJ 234 7-2C Wannenleuchte für Deckenanbau oder abgehängte Montage Europlex**

Grundplatte aus Stahlblech, leuchtenweiß (ähnlich RAL 9010)

Opalwanne, PMMA

breit strahlend mit Deckenaufhellung

Schutzart:IP 50

Schutzklasse: SK I

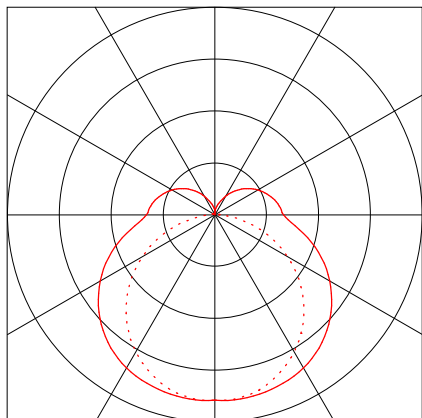
Montageart: Anbau, abgehängt

#### Luminaire data

Luminaires efficiency : 67.5% (B31)  
Control gear : EVG  
System power : 70 W  
Length : 1270 mm  
Width : 185 mm  
Height : 99 mm

#### Equipped with

Number of : 2  
Designation : FD  
Power : 36 W  
Colour :  
Luminous flux : 3200 lm



Object : School - Cafeteria  
Installation : Comfolight2 Pendant mounted (1x 35 W)  
Project number : Standard example  
Date : 01.2008

## 1 Luminaire data

### 1.2 Siteco, Europlex (5LJ 235 1-2EX1)

#### 1.2.1 Data sheet

**Manufacturer: Siteco**

**5LJ 235 1-2EX1 Wannenleuchte für Deckenanbau oder abgehängte Montage Europlex**

Grundplatte aus Stahlblech, leuchtenweiß (ähnlich RAL 9010)

Prismenwanne, PMMA

breit strahlend mit Deckenaufhellung

Schutzart:IP 50

Schutzklasse: SK I

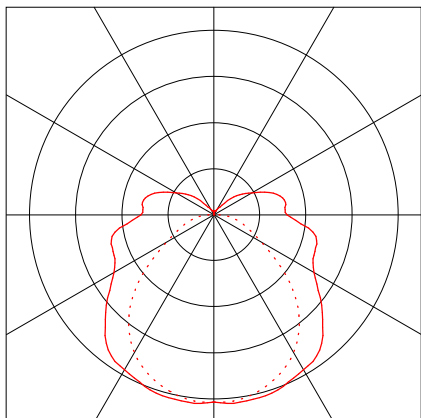
Montageart: Anbau, abgehängt

#### Luminaire data

Luminaires efficiency : 69.1% (B31)  
Control gear : VVG  
System power : 134 W  
Length : 1570 mm  
Width : 185 mm  
Height : 99 mm

#### Equipped with

Number of : 2  
Designation : FD  
Power : 58 W  
Colour :  
Luminous flux : 5200 lm



Object : School - Cafeteria  
Installation : Comfolight2 Pendant mounted (1x 35 W)  
Project number : Standard example  
Date : 01.2008

## 1 Luminaire data

### 1.3 Siteco, COMFOLIGHT 2 (5MF 234 7-1QS)

#### 1.3.1 Data sheet

**Manufacturer: Siteco**

#### **5MF 234 7-1QS Einzelleuchte für abgehängte Montage COMFOLIGHT 2**

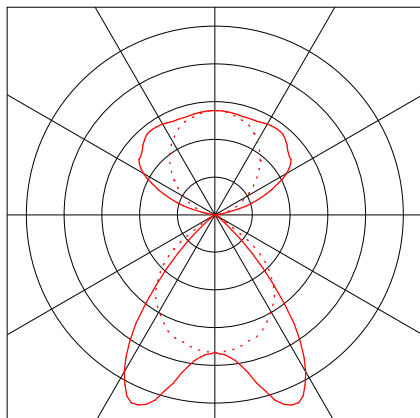
Gehäuse aus Aluminium-Strangpreßprofil  
BAP65-Spiegelraster, matt, (L <= 1000 cd / m<sup>2</sup> rundum)  
direkt / indirekt strahlend  
Schutzart:IP 20  
Schutzklasse: SK I  
Montageart: abgehängt

#### **Luminaire data**

Luminaires efficiency : 87.7% (C63)  
Control gear : EVG  
System power : 39 W  
Length : 1554 mm  
Width : 162 mm  
Height : 56 mm

#### **Equipped with**

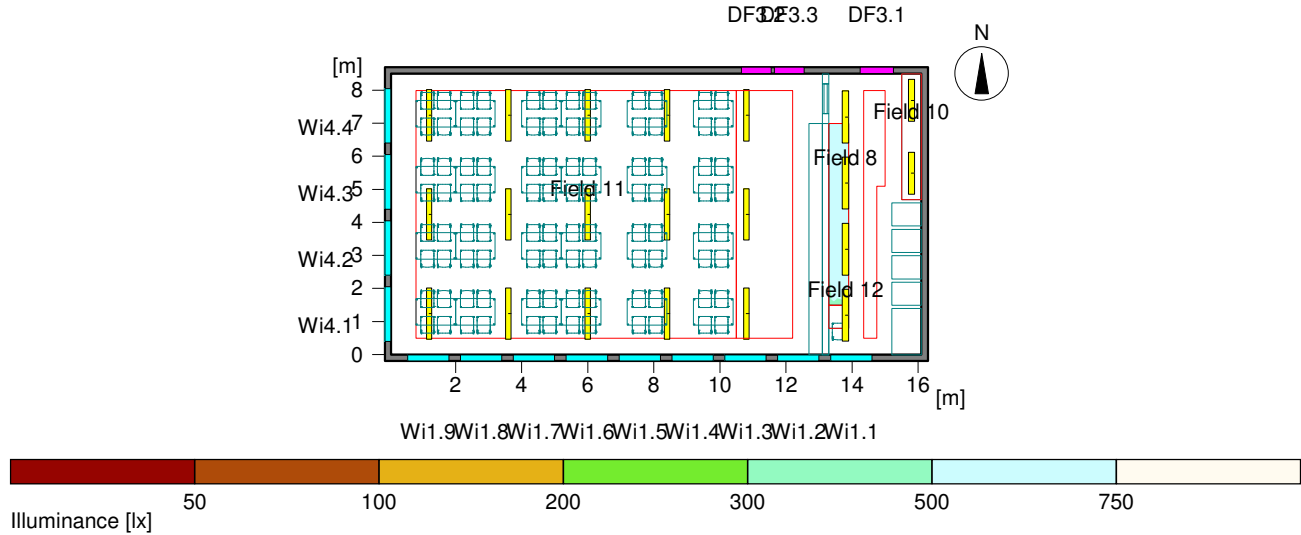
Number of : 1  
Designation : FDH  
Power : 35 W  
Colour :  
Luminous flux : 3300 lm



## 2 Raum

### 2.1 Summary, Raum

#### 2.1.1 Result overview, Essen



#### General

Calculation algorithm used	Average indirect fraction
Height of evaluation surface	0.75 m
Maintenance factor	0.67

Total luminous flux of all lamps	103900 lm
Total power	1261 W
Total power per area (136.43 m <sup>2</sup> )	9.24 W/m <sup>2</sup>

#### Illuminance

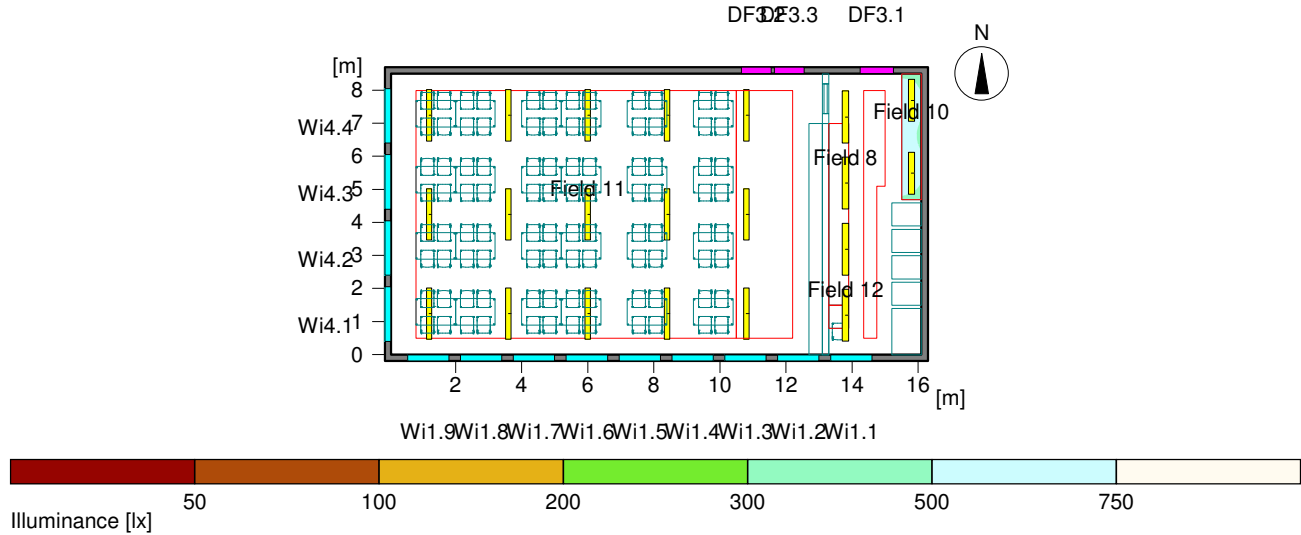
Average illuminance	Eav	611 lx
Minimum illuminance	Emin	420 lx
Maximum illuminance	Emax	696 lx
Uniformity g1	Emin/Em	1:1.46 (0.69)
Uniformity g2	Emin/Emax	1:1.66 (0.6)

#### Type No.\Make

		<b>Siteco</b>	
1	2	Order No.	: 5LJ 234 7-2C
		Luminaire name	: Europlex
		Equipment	: 2 x FD 36 W / 3200 lm
3	4	Order No.	: 5LJ 235 1-2EX1
		Luminaire name	: Europlex
		Equipment	: 2 x FD 58 W / 5200 lm
4	15	Order No.	: 5MF 234 7-1QS
		Luminaire name	: COMFOLIGHT 2
		Equipment	: 1 x FDH 35 W / 3300 lm

## 2.1 Summary, Raum

### 2.1.2 Result overview, Essen



#### General

Calculation algorithm used	Average indirect fraction
Height of evaluation surface	0.75 m
Maintenance factor	0.67

Total luminous flux of all lamps	103900 lm
Total power	1261 W
Total power per area (136.43 m <sup>2</sup> )	9.24 W/m <sup>2</sup>

#### Illuminance

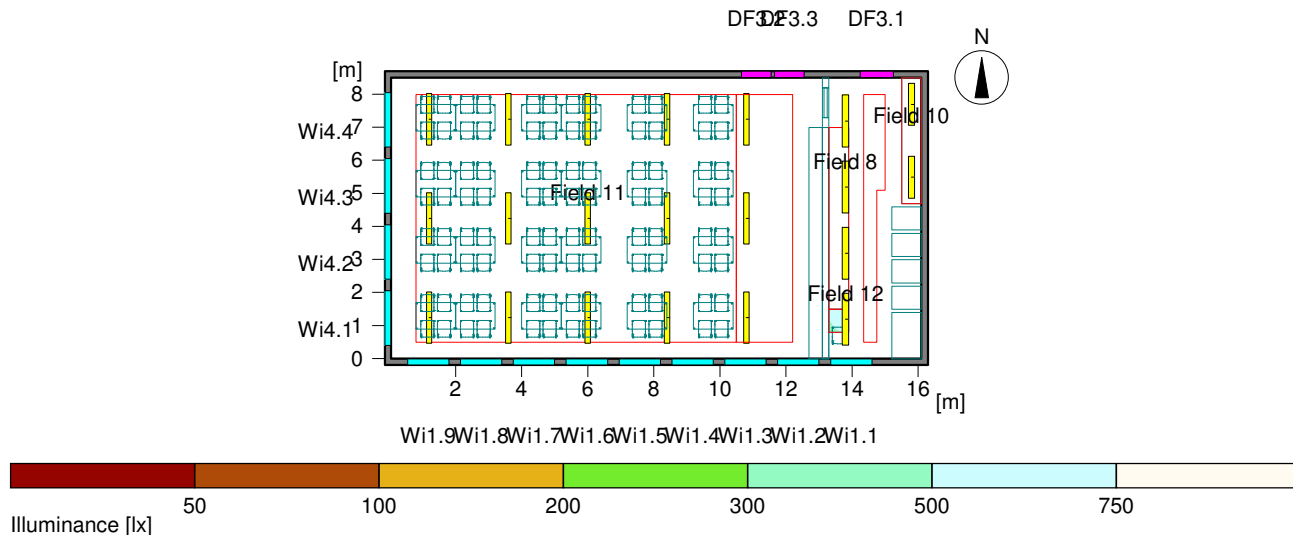
Average illuminance	Eav	572 lx
Minimum illuminance	Emin	397 lx
Maximum illuminance	Emax	694 lx
Uniformity g1	Emin/Em	1:1.44 (0.69)
Uniformity g2	Emin/Emax	1:1.75 (0.57)

#### Type No.\Make

		<b>Siteco</b>	
1	2	Order No.	: 5LJ 234 7-2C
		Luminaire name	: Europlex
		Equipment	: 2 x FD 36 W / 3200 lm
3	4	Order No.	: 5LJ 235 1-2EX1
		Luminaire name	: Europlex
		Equipment	: 2 x FD 58 W / 5200 lm
4	15	Order No.	: 5MF 234 7-1QS
		Luminaire name	: COMFOLIGHT 2
		Equipment	: 1 x FDH 35 W / 3300 lm

## 2.1 Summary, Raum

### 2.1.3 Result overview, Kasse



#### General

Calculation algorithm used	Average indirect fraction
Height of evaluation surface	0.85 m
Maintenance factor	0.67

Total luminous flux of all lamps	103900 lm
Total power	1261 W
Total power per area (136.43 m <sup>2</sup> )	9.24 W/m <sup>2</sup>

#### Illuminance

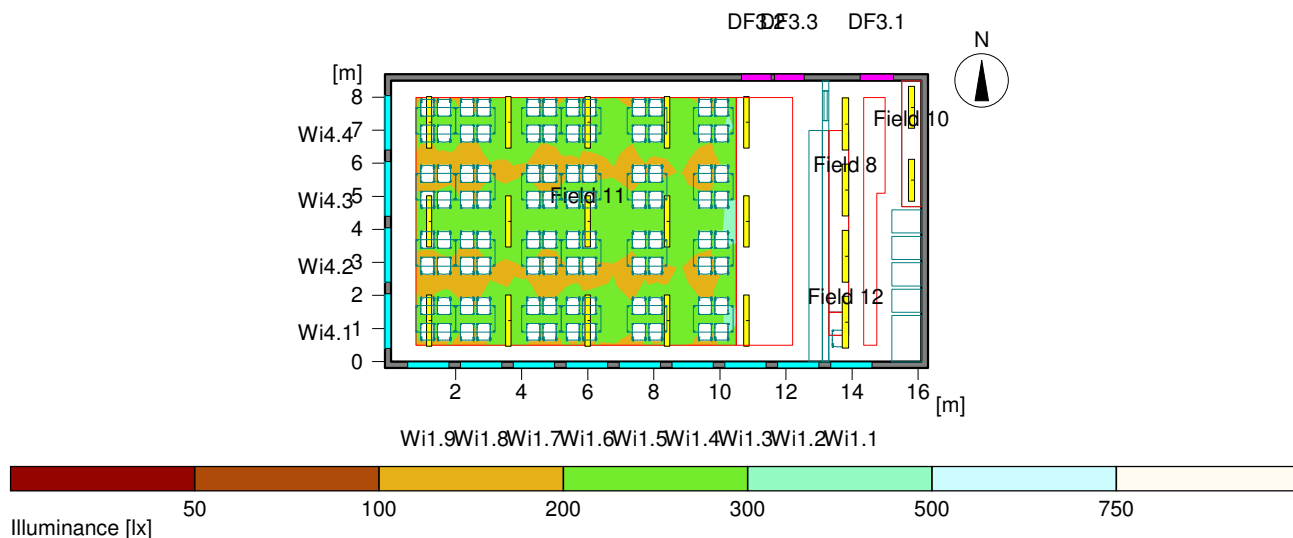
Average illuminance	Eav	536 lx
Minimum illuminance	Emin	463 lx
Maximum illuminance	Emax	593 lx
Uniformity g1	Emin/Em	1:1.16 (0.86)
Uniformity g2	Emin/Emax	1:1.28 (0.78)

#### Type No.\Make

		<b>Siteco</b>	
1	2	Order No.	: 5LJ 234 7-2C
		Luminaire name	: Europlex
		Equipment	: 2 x FD 36 W / 3200 lm
3	4	Order No.	: 5LJ 235 1-2EX1
		Luminaire name	: Europlex
		Equipment	: 2 x FD 58 W / 5200 lm
4	15	Order No.	: 5MF 234 7-1QS
		Luminaire name	: COMFOLIGHT 2
		Equipment	: 1 x FDH 35 W / 3300 lm

## 2.1 Summary, Raum

### 2.1.4 Result overview, Nutzebene



#### General

Calculation algorithm used	Average indirect fraction
Height of evaluation surface	0.75 m
Maintenance factor	0.67

Total luminous flux of all lamps	103900 lm
Total power	1261 W
Total power per area (136.43 m <sup>2</sup> )	9.24 W/m <sup>2</sup>

#### Illuminance

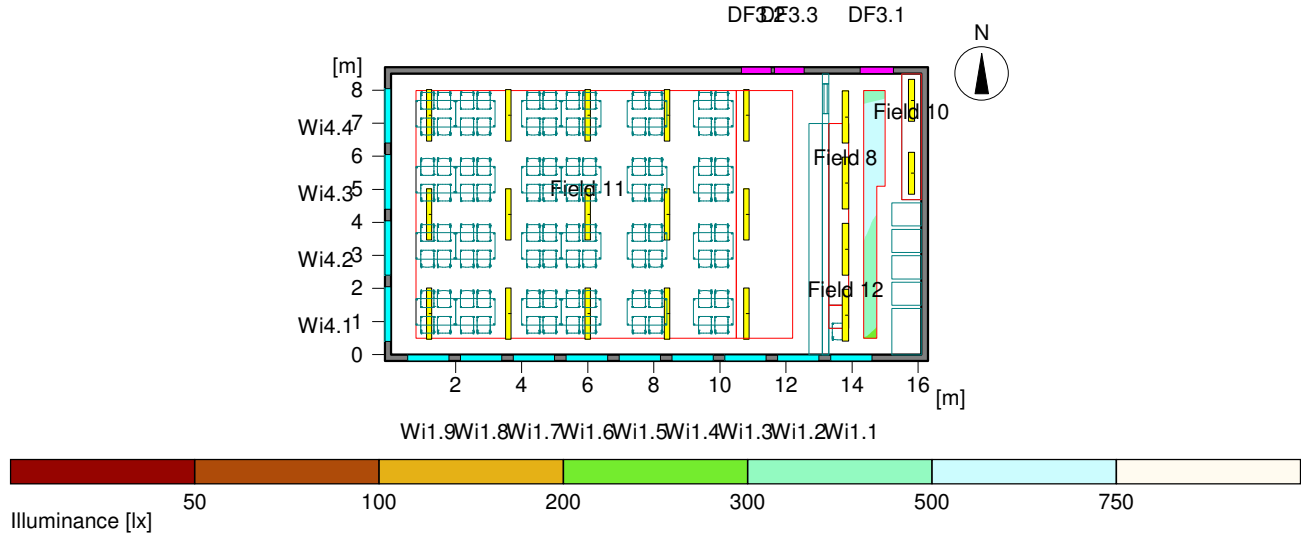
Average illuminance	Eav	221 lx
Minimum illuminance	Emin	160 lx
Maximum illuminance	Emax	323 lx
Uniformity g1	Emin/Em	1:1.38 (0.72)
Uniformity g2	Emin/Emax	1:2.02 (0.5)

#### Type No.\Make

		<b>Siteco</b>	
1	2	Order No.	: 5LJ 234 7-2C
		Luminaire name	: Europlex
		Equipment	: 2 x FD 36 W / 3200 lm
3	4	Order No.	: 5LJ 235 1-2EX1
		Luminaire name	: Europlex
		Equipment	: 2 x FD 58 W / 5200 lm
4	15	Order No.	: 5MF 234 7-1QS
		Luminaire name	: COMFOLIGHT 2
		Equipment	: 1 x FDH 35 W / 3300 lm

## 2.1 Summary, Raum

### 2.1.5 Result overview, Küchenboden



#### General

Calculation algorithm used	Average indirect fraction
Height of evaluation surface	0.20 m
Maintenance factor	0.67

Total luminous flux of all lamps	103900 lm
Total power	1261 W
Total power per area (136.43 m <sup>2</sup> )	9.24 W/m <sup>2</sup>

#### Illuminance

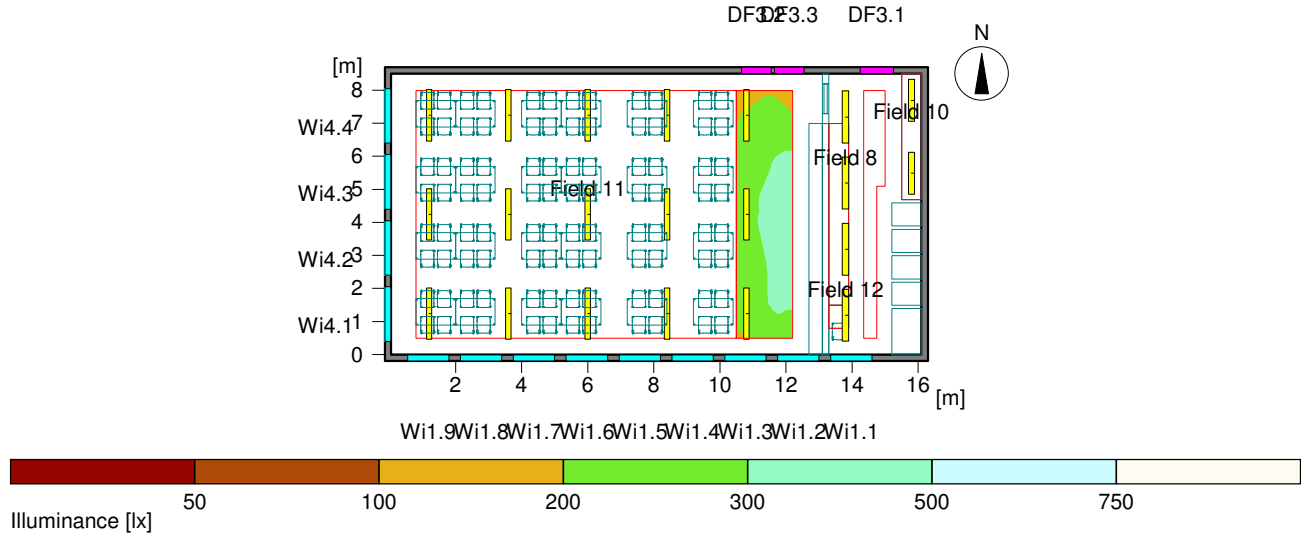
Average illuminance	Eav	505 lx
Minimum illuminance	Emin	290 lx
Maximum illuminance	Emax	606 lx
Uniformity g1	Emin/Em	1:1.74 (0.57)
Uniformity g2	Emin/Emax	1:2.09 (0.48)

#### Type No.\Make

		<b>Siteco</b>	
1	2	Order No.	: 5LJ 234 7-2C
		Luminaire name	: Europlex
		Equipment	: 2 x FD 36 W / 3200 lm
3	4	Order No.	: 5LJ 235 1-2EX1
		Luminaire name	: Europlex
		Equipment	: 2 x FD 58 W / 5200 lm
4	15	Order No.	: 5MF 234 7-1QS
		Luminaire name	: COMFOLIGHT 2
		Equipment	: 1 x FDH 35 W / 3300 lm

## 2.1 Summary, Raum

### 2.1.6 Result overview, Measuring area (virtual) 10



#### General

Calculation algorithm used	Average indirect fraction
Height of evaluation surface	0.20 m
Maintenance factor	0.67
Total luminous flux of all lamps	103900 lm
Total power	1261 W
Total power per area (136.43 m <sup>2</sup> )	9.24 W/m <sup>2</sup>

#### Illuminance

Average illuminance	E <sub>av</sub>	268 lx
Minimum illuminance	E <sub>min</sub>	130 lx
Maximum illuminance	E <sub>max</sub>	355 lx
Uniformity g1	E <sub>min</sub> /E <sub>m</sub>	1:2.07 (0.48)
Uniformity g2	E <sub>min</sub> /E <sub>max</sub>	1:2.74 (0.37)

#### Type No.\Make

		<b>Siteco</b>	
1	2	Order No.	: 5LJ 234 7-2C
		Luminaire name	: Europlex
		Equipment	: 2 x FD 36 W / 3200 lm
3	4	Order No.	: 5LJ 235 1-2EX1
		Luminaire name	: Europlex
		Equipment	: 2 x FD 58 W / 5200 lm
4	15	Order No.	: 5MF 234 7-1QS
		Luminaire name	: COMFOLIGHT 2
		Equipment	: 1 x FDH 35 W / 3300 lm

Object : School - Cafeteria  
Installation : Comfolight2 Pendant mounted (1x 35 W)  
Project number : Standard example  
Date : 01.2008

## 2 Raum

### 2.2 Calculation results, Raum

#### 2.2.1 3D luminance, Ansicht von links

---



---

Luminance in the scene  
Minimum: : 0 cd/m<sup>2</sup>  
Maximum: : 128 cd/m<sup>2</sup>