

4 - Axis - Office

Installation : Comfolight2_Surface Mounted154_BAP65

Project number :
Customer :
Processed by : Siteco
Date : 01.2008

Project description:
Roomn dimensions L/ B/ H: 5,4/ 5,4/ 2,7 m
Building axis 1,35 m

According to DIN EN 12 464
Maintenance factor 0,67
Lighting direct

Die Ermittlung der Beleuchtungsergebnisse erfolgte verkaufsunterstützend mit größter Sorgfalt auf Basis der uns vorliegenden Unterlagen mit Hilfe von marktüblichen Berechnungsverfahren (z.B. Relux, Dialux).

Eine Garantie / Gewährleistung / Haftung für diese kostenlose Errechnung wird von SITECO nicht übernommen. Wir verweisen in diesem Zusammenhang auf die Leistungen der Lichtplanungs- u. Ingenieurbüros.

The determination of the lighting results is performed on a sales support basis, with great thoroughness, using the documents at our disposal and with the aid of calculating procedures customary in the market (e.g. Relux, Dialux).

A guarantee / warranty / liability for this free calculation is not provided by SITECO. In this respect, we refer to the services of the light planning and engineering office.

The following values are based on exact calculations on calibrated lamps, luminaires and their arrangement. In practice, gradual divergences can occur.

Guarantee claims for luminaire data are excluded.

Relux and the luminaire manufacturers accept no liability for consequential damage and damage which is occasioned to the user or to third parties.

1 Luminaire data

1.1 Siteco, COMFOLIGHT 2 (5MF 214 7-1HS)

1.1.1 Data sheet

Manufacturer: Siteco

5MF 214 7-1HS Einzelleuchte für Deckenanbau COMFOLIGHT 2

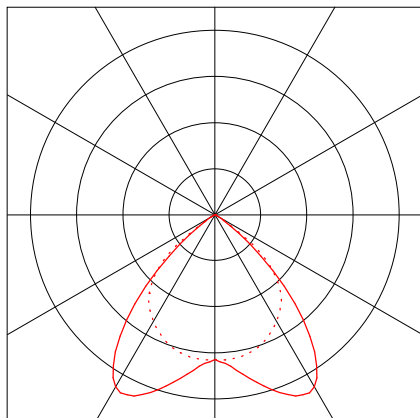
Gehäuse aus Aluminium-Strangpreßprofil
BAP65-Spiegelraster, matt, (L <= 1000 cd / m² rundum)
direkt strahlend
Schutzart:IP 20
Schutzklasse: SK I
Montageart: Anbau

Luminaire data

Luminaires efficiency : 74.8% (A50)
Control gear : EVG
System power : 61 W
Length : 1254 mm
Width : 162 mm
Height : 56 mm

Equipped with

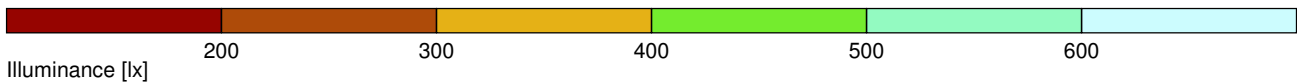
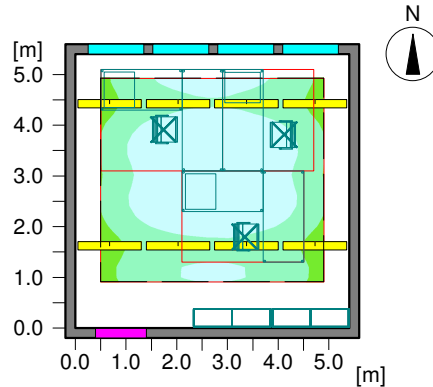
Number of : 1
Designation : FDH
Power : 54 W
Colour :
Luminous flux : 4450 lm



2 Raum

2.1 Summary, Raum

2.1.1 Result overview, Reference plane 1



General

Calculation algorithm used	Average indirect fraction
Height of evaluation surface	0.75 m
Height of luminaire plane	2.70 m
Maintenance factor	0.67
Total luminous flux of all lamps	35600 lm
Total power	488 W
Total power per area (29.16 m ²)	16.74 W/m ² (2.81 W/m ² /100lx)

Illuminance

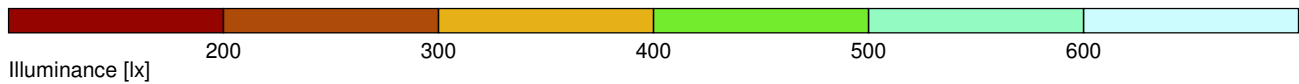
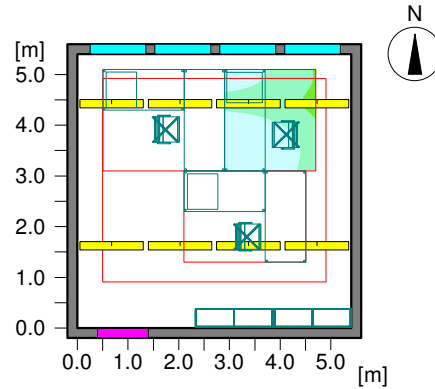
Average illuminance	Eav	595 lx
Minimum illuminance	Emin	448 lx
Maximum illuminance	Emax	694 lx
Uniformity g1	Emin/Em	1:1.33 (0.75)
Uniformity g2	Emin/Emax	1:1.55 (0.64)

Type No.\Make

2	8	Siteco	
		Order No.	: 5MF 214 7-1HS
		Luminaire name	: COMFOLIGHT 2
		Equipment	: 1 x FDH 54 W / 4450 lm

2.1 Summary, Raum

2.1.2 Result overview, Measuring area (virtual) 1.1



General

Calculation algorithm used	Average indirect fraction
Height of evaluation surface	0.75 m
Height of luminaire plane	2.70 m
Maintenance factor	0.67
Total luminous flux of all lamps	35600 lm
Total power	488 W
Total power per area (29.16 m ²)	16.74 W/m ²

Illuminance

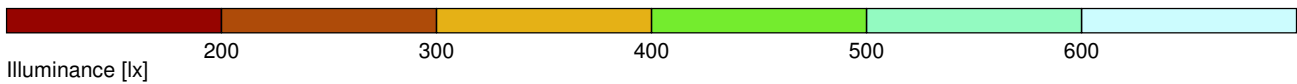
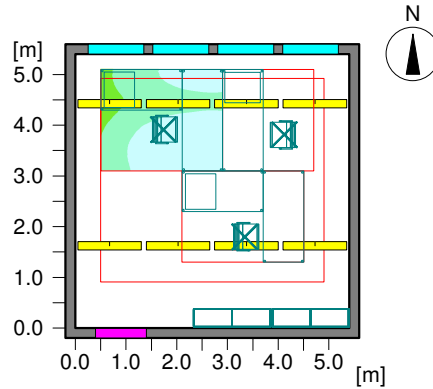
Average illuminance	Eav	601 lx
Minimum illuminance	Emin	477 lx
Maximum illuminance	E _{max}	696 lx
Uniformity g1	Emin/Em	1:1.26 (0.79)
Uniformity g2	Emin/E _{max}	1:1.46 (0.69)

Type No.\Make

2	8	Siteco	
		Order No.	: 5MF 214 7-1HS
		Luminaire name	: COMFOLIGHT 2
		Equipment	: 1 x FDH 54 W / 4450 lm

2.1 Summary, Raum

2.1.3 Result overview, Measuring area (virtual) 1.2



General

Calculation algorithm used	Average indirect fraction
Height of evaluation surface	0.75 m
Height of luminaire plane	2.70 m
Maintenance factor	0.67

Total luminous flux of all lamps	35600 lm
Total power	488 W
Total power per area (29.16 m ²)	16.74 W/m ²

Illuminance

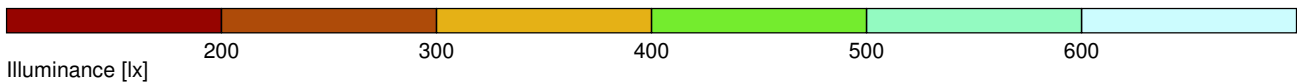
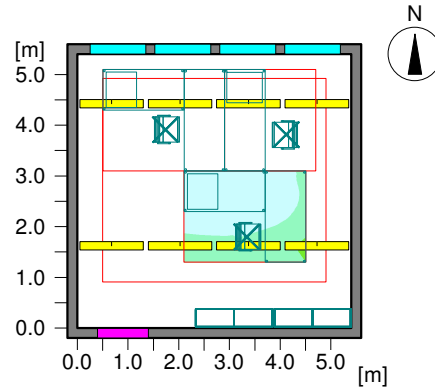
Average illuminance	Eav	600 lx
Minimum illuminance	Emin	455 lx
Maximum illuminance	Emax	698 lx
Uniformity g1	Emin/Em	1:1.32 (0.76)
Uniformity g2	Emin/Emax	1:1.53 (0.65)

Type No.\Make

2	8	Siteco	
		Order No.	: 5MF 214 7-1HS
		Luminaire name	: COMFOLIGHT 2
		Equipment	: 1 x FDH 54 W / 4450 lm

2.1 Summary, Raum

2.1.4 Result overview, Measuring area (virtual) 1.3



General

Calculation algorithm used	Average indirect fraction
Height of evaluation surface	0.75 m
Height of luminaire plane	2.70 m
Maintenance factor	0.67

Total luminous flux of all lamps	35600 lm
Total power	488 W
Total power per area (29.16 m ²)	16.74 W/m ²

Illuminance

Average illuminance	Eav	622 lx
Minimum illuminance	Emin	496 lx
Maximum illuminance	Emax	694 lx
Uniformity g1	Emin/Em	1:1.25 (0.8)
Uniformity g2	Emin/Emax	1:1.4 (0.72)

Type No.\Make

2	8	Siteco	
		Order No.	: 5MF 214 7-1HS
		Luminaire name	: COMFOLIGHT 2
		Equipment	: 1 x FDH 54 W / 4450 lm

2 Raum

2.2 Calculation results, Raum

2.2.1 3D luminance, Ansicht von links



Luminance in the scene
Minimum: : 0 cd/m²
Maximum: : 173 cd/m²