

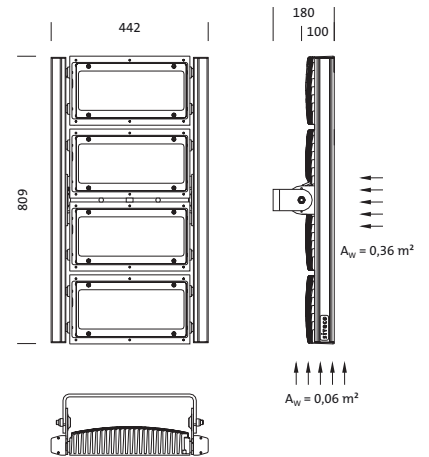
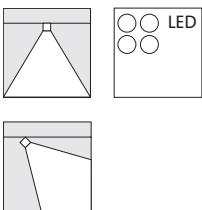
Overview of product data:
5XA7621E1UK00300

SiCOMPACT® LED module floodlight



Product description

SiCOMPACT® LED module floodlight, primary light control with lens system, of transparent PMMA via High-Power LEDs, primary optical enclosure: module cover, flat, of impact-resistant polycarbonate, light emission via special light characteristic: symmetric distribution, mounting method: surface-mounted, for luminaire configuration in 150W and 300W, control unit: with separate E-box with electrical connection terminal, DMX through-wiring to separate connection terminal, mains connection: 230-240V, AC, 50-60Hz, modular constructed luminaire system, LED module support of aluminium, diecast, 4-piece, lateral arms of aluminium, extruded, robust, vibration-reducing supporting structure, steel, galvanised, protection rating (LED module): IP 65, protection rating (E-box): IP 30, insulation class (total): I (protective earthing), approval designation: CE, standard: EN 50419
Packaging unit: 1 piece



IP 65

Light sources: LED 1x150W / LED 1x300W
Weight (kg) (300W module lighting unit): 23kg
Weight (kg) (E-box for 300W module): 7kg
Order no.: 5XA7621E1UK00300

! preliminary data sheet, subject to modifications.

Details of product data:
5XA7621E1UK00300

SiCOMPACT® LED module floodlight

2/3



Detailed technical description

Core data

- Product type: projector
- Family: SiCOMPACT® LED module floodlight
- Order no.: 5XA7621E1UK00300

Lighting technology | light source | control unit

Component 1

Lighting technology:

- Light control: symmetric distribution lens system of transparent PMMA via high-power LEDs
- Cover: module cover of impact-resistant polycarbonate
- Beam angle: semi-narrow, half-peak divergence: 2x13°
- Symmetry: symmetric
- Light emission: direct distribution

Configuration:

- Light source: LED 1x150W, LED 1x300W
- Supplement: ECG (E-box) is mandatory

Control unit:

- Control unit: with ECG (E-box)

Approvals

- Protection rating: IP65 / IP30
- Insulation class: I (protective earthing)
- Standard: EN 50419
- Approval mark: CE

Dimensions:
5XA7621E1UK00300

SiCOMPACT LED module floodlight

