



Lighting Tools

for the future



office

industry

traffic

shopping

public

sports

siteco

NJ370 | Reflector Luminaire
for maximum functionality



NJ370 high bay reflector luminaire

Functionality and energy efficiency

Functionality and versatility

The Siteco NJ370 reflector luminaire is manufactured for standard uses in industry such as warehouses, logistics halls and manufacturing bays, and also for comparable applications such as trade fair halls, exhibition halls and do-it-yourself stores. The luminaire is suitable for all fundamental uses with wide and narrow distribution reflectors and lamp configurations from 250W to 400W, and fulfills the requirements for reliable and optically high quality lighting solutions in high halls of 6 metres height and higher.

Lowering energy consumption, sinking operating costs

Energy-efficient lighting installations contribute significantly to low operating costs, especially in the previously mentioned main application areas. The NJ370 high bay luminaire incorporates modern HIE and HSE lamps that are optimally integrated in the narrow or wide light distribution optics.

Maximum functionality

Thanks to eight different versions, the NJ370 high bay luminaire covers an extremely wide application spectrum. The standard NJ370 version is approved for an IP23 protection rating, and with a cover of toughened safety glass as an accessory, this can be expanded to IP65 protection. The NJ370 is also available in versions with wide distribution faceted aluminium reflector and narrow distribution aluminium reflector. The range gains additional flexibility with various lamp configurations: HIE/HSE 250W or HIE/HSE 400W. All versions are also available with emergency light as standard.

Easy installation and simple handling are the result of the variable 1-point or 2-point suspension and the electrical mains and emergency light connection via an extractable plug module with bayonet catch, which can be mounted from outside.



Easily mounted one and two-point suspension for suspended mounting



Cable gland and terminal can be removed from luminaire via bayonet catch with all versions



IP65 with versions featuring cover of toughened safety glass with retaining cord



Versions with emergency light as a complete series

- + modern, compact, functional industry design
- + emergency light versions as standard: with E27 emergency socket for lamp configuration with QT32 high voltage tungsten halogen lamp to max. 150W
- + suitable for demanding surroundings: IP23 or IP65 (via optional cover)
- + easily mounted one or two-point suspension for suspended mounting
- + for ambient temperatures of -15° C to +35° C
- + mains and emergency light connection via extractable plug module with bayonet catch, can be mounted from outside



NJ370 reflector luminaire for suspended mounting | complete luminaire | with specular aluminium reflector | narrow or wide distribution



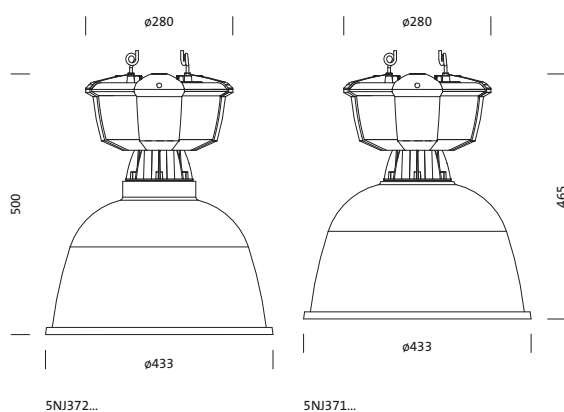
NJ370 reflector luminaire for suspended mounting | with specular aluminium reflector for narrow distribution or with aluminium faceted reflector for wide distribution | with CCG, parallel p.f. corrected and electronic ignition timer | according to variant with additional E27 emergency lamp socket | housing of diecast aluminium, metallic grey (similar to RAL 9006)

Protection rating: IP23 (IP65 with cover)
 Insulation class: I
 Protection symbol: F
 Temperature range: -15 °C..+35 °C
 (complete luminaire: including upper part and aluminium reflector)

Luminaires with aluminium reflector operated without enclosure (of toughened safety glass) are classified as 'open luminaires' | with use of HIE lamps ≥ 250W, the lamps must be approved for open luminaires (declaration of manufacturer)

Electrical

Luminaires wired ready for connection | with 3-pole terminal, max. 2,5mm² | cable entry for cables D= 8,5..13,5mm | cable entry and terminal are detachable via plug connector
 Variant with emergency lamp socket: 2nd, separate cable entry for cables D= 8,5..13,5mm and additional terminal 3x max. 2,5mm² | cable entry and terminal are detachable via plug connector | Luminaire additional with emergency lamp socket, E27
 • a separate circuit with on-site energy supply is required for the emergency lamp socket | ON/OFF for the emergency lamp socket possible with on-site installation



Lamps	Socket	Lamps 2	Socket 2	Wt. (kg)	LLCG w. th. prot., F Order No.
narrow beam					
1xHIE/HSE 250W	E40			5.7	5NJ37231EN
1xHIE/HSE 400W	E40			8.2	5NJ37231FN
narrow beam, E27, for emergency light function					
1xHIE/HSE 250W	E40	1xQT32 max. 150W	E27	6.0	5NJ37231EN03
1xHIE/HSE 400W	E40	1xQT32 max. 150W	E27	8.4	5NJ37231FN03
wide distribution					
1xHIE/HSE 250W	E40			5.6	5NJ37131EN
1xHIE/HSE 400W	E40			8.1	5NJ37131FN
wide distribution, E27, for emergency light function					
1xHIE/HSE 250W	E40	1xQT32 max. 150W	E27	5.9	5NJ37131EN03
1xHIE/HSE 400W	E40	1xQT32 max. 150W	E27	8.3	5NJ37131FN03

- Complete luminaire: including upper part and aluminium reflector
- please order enclosure separately
- variants with emergency lamp socket: please order also high voltage tungsten halogen lamp QT32 (E27/max.150W) separately

NJ370 Accessories



Cover for aluminium reflector
 Cover of toughened safety glass including sealing ring; V2A snap catches
 Transparent cover

Description	diameter/height (mm)	Order No.
Cover, clear safety glass	437/12	5NJ370000
– Luminaire with cover: IP65		



Chain, galvanised
 Inner link size 7x 40mm
 Load capacity: 56kg

Description	Order No.
Chain, galvanised	5LY9005
– Chain: per metre	

Siteco Sales Organisation

Sales Europe

Austria
Siteco Österreich GmbH
Leonard-Bernstein-Straße 10
1220 Wien | Austria
Tel.: +43 1 250 24 0
Fax: +43 1 250 24 255
E-Mail: wien@siteco.at

Belgium
Cebeo NV
Oude Gentweg 100
2070 Zwijndrecht (Burcht)
Belgium
Tel.: +32 3 250 51 11
E-Mail: info@cebeo.be

Bosnia and Herzegovina
Siteco Sistemi d.o.o
Ul. Hamdije Cemerlica 2
71000 Sarajevo
Bosnia-Herzegovina
Tel.: +387 33 71 86 40
Fax: +387 33 65 48 14
E-Mail: bh@siteco.com

Croatia
Siteco Sistemi d.o.o.
Trg Drazena Petrovica 3
10000 Zagreb | Croatia
Tel.: +385 1 481 24 17
Fax: +385 1 484 35 88
E-Mail: croatia@siteco.com

Czech Republic
Siteco Lighting, spol. s r.o.
U Nikolajky 1085/15
15000 Praha 5-Smichov
Czech Republic
Tel.: +420 25 10 13 800
Fax: +420 25 15 60 772
E-Mail: info@siteco.cz

Denmark
Siteco Beleuchtungstechnik
Odinsvej 31
6500 Vojens | Denmark
Tel.: +45 73 54 04 50
Fax: +45 73 54 04 51
E-Mail: denmark@siteco.com

Finland (Exterior Luminaires)
Silux Oy Ab
Ulapakkatu 1
02520 Espoo | Finland
Tel.: +358 98 02 20 77
Fax: +358 98 02 18 90
E-Mail: info@silux.fi

Finland (Interior Luminaires)
iGuzzini Finland & Baltic Oy
Lemuntie 3-5
00510 Helsinki | Finland
Tel.: +358 (0) 207289840
Fax: +358 (0) 98024566
Web: www.iguzzini.fi

France
Sidelux
56 bis rue du Vieux Colombier
51100 Reims
France
Tel.: +33 3 26 61 72 29
Fax: +33 3 26 61 80 19
E-Mail: sidelux@orange.fr

Greece
Siemens A.E.
Artemidos 8
P.O. Box 61011
15110 Amaroussio
Athens
Greece
Tel.: +30 21 06 86 45 78
Fax: +30 21 06 86 45 62
E-Mail: info@siteco.de

Hungary
Siteco Lighting, spol sr.o.
U Nikolajky 1085/15
15000 Praha 5-Smichov
Czech Republic
Tel.: +420 25 10 13 800
Fax: +420 25 15 60 772
E-Mail: info@siteco.cz

Italy
Siteco Lighting Systems SRL
Viale Fulvio Testi 11
20092 Cinisello Balsamo
Milan | Italy
Tel.: +39 02 66 11 71 07
Fax: +39 02 66 11 30 56
E-Mail: info@sitecoitalia.it

Latvia
Siteco Lighting
Design Center Riga
Kurzemis prospekts 16 – 29
LV 1067 Riga | Latvia
Tel.: +371 67 69 59 50
Fax: +371 29 47 26 56
E-Mail: janis@silicalatvija.lv

Lithuania
Sviesos Studija
Andrius Kleiza
Gelezinkelio str. 6
Vilnius 02100 | Lithuania
Tel.: +370 52 39 59 10
Fax: +370 52 39 59 11
E-Mail: info@sviesos-studija.lt

Luxembourg
LUX-INOTEC
Sicherheitsysteme S.A.
Z.I. Rollach
5280 Sandweiler | Luxembourg
Tel.: +352 26665588
Fax: +352 26665589
E-Mail: i.noack@motec.lu

Netherlands
Industrielicht B.V.
Van Hemnaertweg 7
2952 CA Alblasserdam | Netherlands
Tel.: +31 78 69 20 900
Fax: +31 78 69 20 905
E-Mail: info@industrielicht.nl

Norway
Siteco Belysning AS
Tevlingeveien 23
1081 Oslo | Norway
Tel.: +47 23 37 32 50
Fax: +47 23 37 32 60
E-Mail: siteco@siteco.no

Poland
Siteco Lighting Poland Sp.z o.o
Migdałowa 4
02-796 Warszawa | Poland
Tel.: +48 2 26 45 11 83
Fax: +48 2 26 45 11 84
E-Mail: info@siteco.com.pl

Portugal
Siemens S.A.
A & D Iluminação
Rua Irmaõs Siemens 1
2720-093 Amadora
Portugal
Tel.: +351 2 14 17 83 96
Fax: +351 2 14 17 80 27
E-Mail: ilumina
cao.pt@siemens.com

Switzerland
Siteco Schweiz AG
Airport Business Center 62
3123 Belp | Switzerland
Tel.: +41 3 18 18 28 28
Fax: +41 3 18 18 28 20
E-Mail: info@siteco.ch

Serbia
Siteco Sistemi d.o.o.
Predstavništvo
Savnicka 11
11000 Beograd | Serbia
Tel.: +381 11 123 99 509
Fax: +381 11 123 99 509
E-Mail: serbia@siteco.com

Slovakia
Siteco Lighting, spol sr.o.
U Nikolajky 1085/15
15000 Praha 5-Smichov
Czech Republic
Tel.: +420 251 013 800
Fax: +420 251 560 772
E-Mail: info@siteco.cz

Slovenia
Siteco Sistemi d.o.o.
Trzaska c.23
2000 Maribor | Slovenia
Tel.: +386 23 00 42 77
Fax: +386 23 32 52 02
E-Mail: slovenia@siteco.com

Spain
Siteco Lighting S.L.U.
Ronda de Europa, 5
28760 Tres Cantos
Madrid | Spain
Tel.: +34 9 15 14 70 50
Fax: +34 9 15 14 76 61
E-Mail: info@siteco.es

Sweden
Annell Ljus + Form AB
Surbrunnsgatan 14
11421 Stockholm
Sweden
Tel.: +46 8 442 90 00
Fax: +46 8 442 90 25
E-Mail: info@annell.se

United Kingdom of Great Britain and Northern Ireland
Siteco Ltd.
Unit 3–4 Grosvenor Business Park
Horsfield Way
Bredbury Industrial Estate
Stockport
SK6 2SU
United Kingdom
Tel.: +44 1 61 40 60 800
Fax: +44 1 61 49 46 756
E-Mail: info@siteco.co.uk

Sales Worldwide

Australia
Sylvania Lighting
Australasia Pty. Ltd.
Sylvania Way, Lisarow
2250 NSW
Australia
Tel.: +61 2 43 28 06 00
Fax: +61 2 43 28 06 98
E-Mail: sylvania@sla.net.au

Bangladesh
Siemens Bangladesh Limited
ZN Tower (Siemens House),
Plot-2, Road-8,
Gulshan Avenue, Gulshan-1,
Dhaka-1212
Bangladesh
Tel.: +88 29 89 35 36
Fax: +88 29 89 29 18
E-Mail: hr.bd@siemens.com

Belorussia (Headquarters)
Veche Svetotechnika
ul. Sovetskich Pogranitschikov, 114
1230027, Grodno
Belorussia
Tel.: +375 1 52 53 00 08
E-Mail: grodno@veche.by

Veche Svetotechnika
ul. Rosl Luxemburg, 95
220036 Minsk
Belorussia
Tel.: +375 1 72 70 90 12
Fax: +375 1 72 70 41 18
E-Mail: minsk@veche.by

China (Headquarters)
Siteco Prosperity Lighting
(Hong Kong) Co., Ltd.
1401 Harbour Centre
25 Harbour Road, Wanchai
Hong Kong
China
Tel.: +852 35 29 12 23
Fax: +852 35 29 12 22
E-Mail: info@siteco-prosperity.com

Siteco Prosperity Lighting
(Langfang) Co., Ltd.
Beijing Branch Office
Room B2903 Eagle Plaza
No. 26 Xiao Yun Road
Chao Yang District
100016 Beijing | China
Tel.: +86 10 84 58 01 19
Fax: +86 10 84 58 02 98
E-Mail: beijing.info@siteco-prosperity.cn

Siteco Prosperity Lighting
(Langfang) Co., Ltd.
QuanXing Rd., Langfang Economic & Technical Development Zone,
Hebei Province
Post code: 065001 | China
Tel.: +86 31 66 08 33 22
Fax: +86 31 66 08 64 05

Siteco Prosperity Lighting
(Langfang) Co., Ltd.
Shanghai Branch
Yin Hai Building, Block A, Room
901, No. 250 Cao Xi Road,
Tel.: +86 021 6482 2254
Tel.: +86 021 6482 5251
E-Mail: shanghai.info@siteco-prosperity.com

CIS/Russia (Headquarters)
Siteco Lighting Systems
Krasno proletarskaya str. 7
Building 2
127006 Moscow
Russia
Tel.: +7 49 57 92 79 25 37 5
Fax: +7 49 57 92 53 02
E-Mail: o.tarasenko@siteco.ru

Korea
Siteco Lighting Design Center Seoul
1420 Rosedale Building
Sooseo-Dong Kangnam-Gu
135744 Seoul | South Korea
Tel.: +82 2 62 42 10 98
Fax: +82 2 62 42 11 97
E-Mail: mail@sitecokorea.co.kr

Kuwait
Siteco Lighting Design Center
Kuwait
Dajeej at Farwaniah
Waha Mall
Shops 33 & 34
P.O. Box 5715 Salmiah
220068 Kuwait
Tel.: +965 4 34 84 42
Fax: +965 4 34 83 66
E-Mail: info@debbaskuwait.com

Middle East (Headquarters)
Siteco Lighting Systems
Al Shoala Building, A Block
2nd floor 204-205
Dubai
United Arab Emirates
Tel.: +971 4 2944472
Fax: +971 4 2944479
E-Mail: info.me@siteco.com

Singapore
Sielitec Pte. Ltd.
Singapore
49, Jalan Pemimpin # 03-05
APS Industrial Building
577203 Singapore
Tel.: +65 62 55 23 25
Fax: +65 62 55 18 90
E-Mail: sielitec@singnet.com.sg

South Africa
Lighting Innovations LTD.
Corner 5th Street & Carey Road
Wynberg, Sandton
P.O. Box 548
Bergvlei 2012
Johannesburg
South Africa
Tel.: +27 1 14 44 11 68
Fax: +27 1 14 44 01 16
E-Mail: craig@
lightinginnovations.co.za

South East Asia Pacific (Headquarters)
Siteco Lighting (M) Sdn Bhd
No 3A-15, IOI Business Park,
Bandar Puchong Jaya
47100 Puchong | Malaysia
Selangor Darul Ehsan
Tel.: +603 80 70 47 22
Fax: +603 80 70 88 45
E-Mail: info@siteco.com.my

Sri Lanka
Diesel & Motor Engineering Co. Ltd.
65, Jethawana Road
Colombo-14 | Sri Lanka
Tel.: +94 1 12 44 97 97
Fax: +94 1 14 60 74 90
E-Mail: damith.meegahage@
dimolanka.com

Taiwan
Lancaster Co. Ltd.
No. 323, Sung Shan Road
Taipei | Taiwan
Tel.: +88 6 2 27 64 95 16
Fax: +88 6 2 27 65 47 25
E-Mail: lancast2@ms4.hinet.net

Turkey
Fahrettin Kerim Gökay Cad.
No:31 B Blok
34662 Istanbul | Turkey
Tel.: +216 327 45 45
Fax: +216 545 51 51

Venezuela
Dierck Sistemas de Iluminacion
4ta Avenida y 5ta Transversal
Quinta Mandalay
Los Palos Grandes
1060 Caracas
Venezuela
Tel.: +58 21 22 87 08 64
Fax: +58 21 22 87 07 43
E-Mail: info@dierck.vc

Siteco Customer Service

Queries concerning product technology:
Tel.: +49 8669 33-844
Fax: +49 8669 86532-944
E-Mail: technicalsupport@siteco.de

Queries concerning calculation software:
Tel.: +49 8669 33-866
Fax: +49 8669 33-397
E-Mail: silicht@siteco.de

The complete range of innovative Siteco Lighting Tools for the realisation of your projects can be found in our current product catalogues

- Siteco Lighting Tools Interior 2010/2011
- Siteco Lighting Tools Exterior 2010/2011

and under www.siteco.com

Order no. 1662
1st edition
Subject to alteration
©Siteco Marketing 09/2010

siteco

Siteco Beleuchtungstechnik GmbH
Georg-Simon-Ohm-Straße 50 | 83301 Traunreut | Germany
Tel.: +49 8669 33-0 | Fax: +49 8669 33-397
E-Mail: info@siteco.de | Web: www.siteco.com