



office | industry | traffic | shopping | public | sports

sITECO

The Sicompact R3 Maxi Projector

Whoever wants to inspire must offer top performance: demands upon leading sport and event lighting

The Experience. The performance. The sport.

Stadiums and arenas are now not only locations for sports but act as meeting places for spectators and need themselves to be optimally set in scene. They are used universally and allow event organisers to offer a wide variety of themes and backdrops for events of all kinds. Their attractiveness helps to promote the image of the sports club and its host town, region or country, and attracts visitors and tourists. When sites for events compete against each other, multi-function stadiums become cathedrals of the modern age that must be set in scene with optimal light.

A variety of uses, a multitude of demands

A lighting installation needs to meet a wide variety of demands, especially in the area of sports and events. Modern stadium architecture creates new benchmarks. Even with the lighting of access roads, parking areas and entrance areas, an emphasis must be placed upon energy efficiency, performance and design, upon creating an exciting lit atmosphere and the feeling for visitors that they can move safely and purposefully to and from spectator areas. In the stadium itself, transit-, catering-, VIP zones and tribune areas require as much of an individual lighting solution as the playing field itself.



Forming reality: on site, medially communicated

For media coverage of events, aspects such as HDTV suitability, glare elimination, optimal colour rendering and shadow reduction are of primary importance. Shadows on the playing field should not be too abrupt. Apart from the necessary lighting level, a uniform distribution of light is required for optimal vision: too much interplay between light and shadow makes it necessary for the eyes to constantly adapt themselves and is therefore a permanent strain for the optical system.

A further aspect concerning quality is hot re-ignition. With future-oriented projectors the ignition voltage consists of up to ten times the lamp voltage. Conclusion: In heated condition the switched off discharge lamp can be quickly re-ignited. The functionality of the luminaire is thus not restricted after a power failure.

The Sicompact R3 MAXI - the answer to new trends

The protagonists in events, whether participants or spectators, need the correct illumination for specific visual tasks within each type of sport. In addition, a suitable all-purpose lighting must be supplied. Because light should not only brighten up a stadium but should also create a pleasant lit environment. The Sicompact R3 MAXI high efficiency projector is the answer to the new requirements of sports architecture: the projector brings light closer to what's happening on the playing field with a simultaneous enhancement of visual comfort. Experience the strength of light: perfection, performance, visual comfort, cost efficiency and design.



The Sicompact R 3 MAXI high performance projector:
setting new standards with a light output ratio of 87%



**Design**

Reduction, dynamics, functionality

**Performance**

Light, effect, intensity

**Lighting comfort**

Glare reduction, illuminance uniformity, light intensity

**Cost efficiency**

Thermal management, ease of maintenance, energy efficiency

**Perfection**

HDTV compatibility, colour rendering, environmental protection

Form, flexibility, functionality

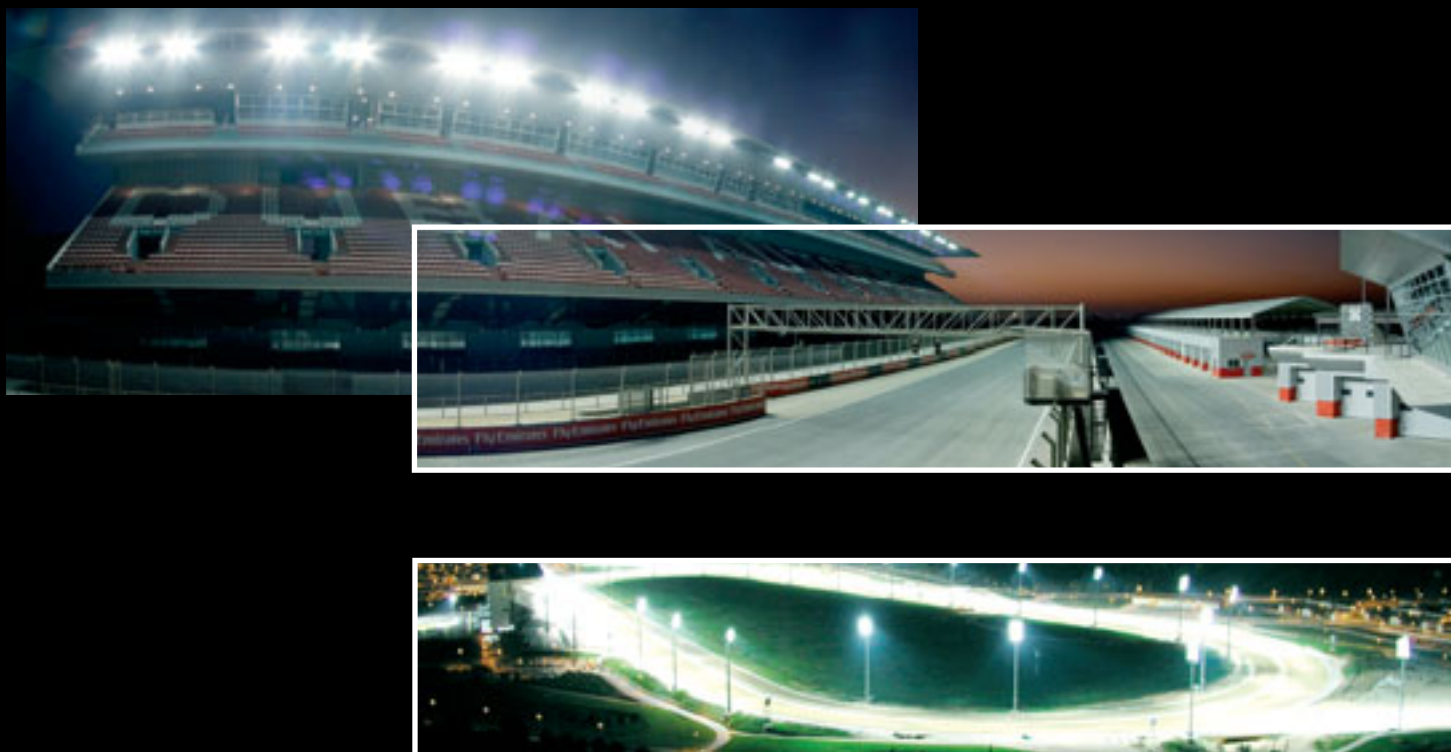
One characteristic of the reduced design language is the slim-line construction. This results in less windage area. With its low weight, optimal aerodynamics and sophisticated sealing system, the Sicompact R3 MAXI projector can be implemented worldwide in diverse weather conditions.

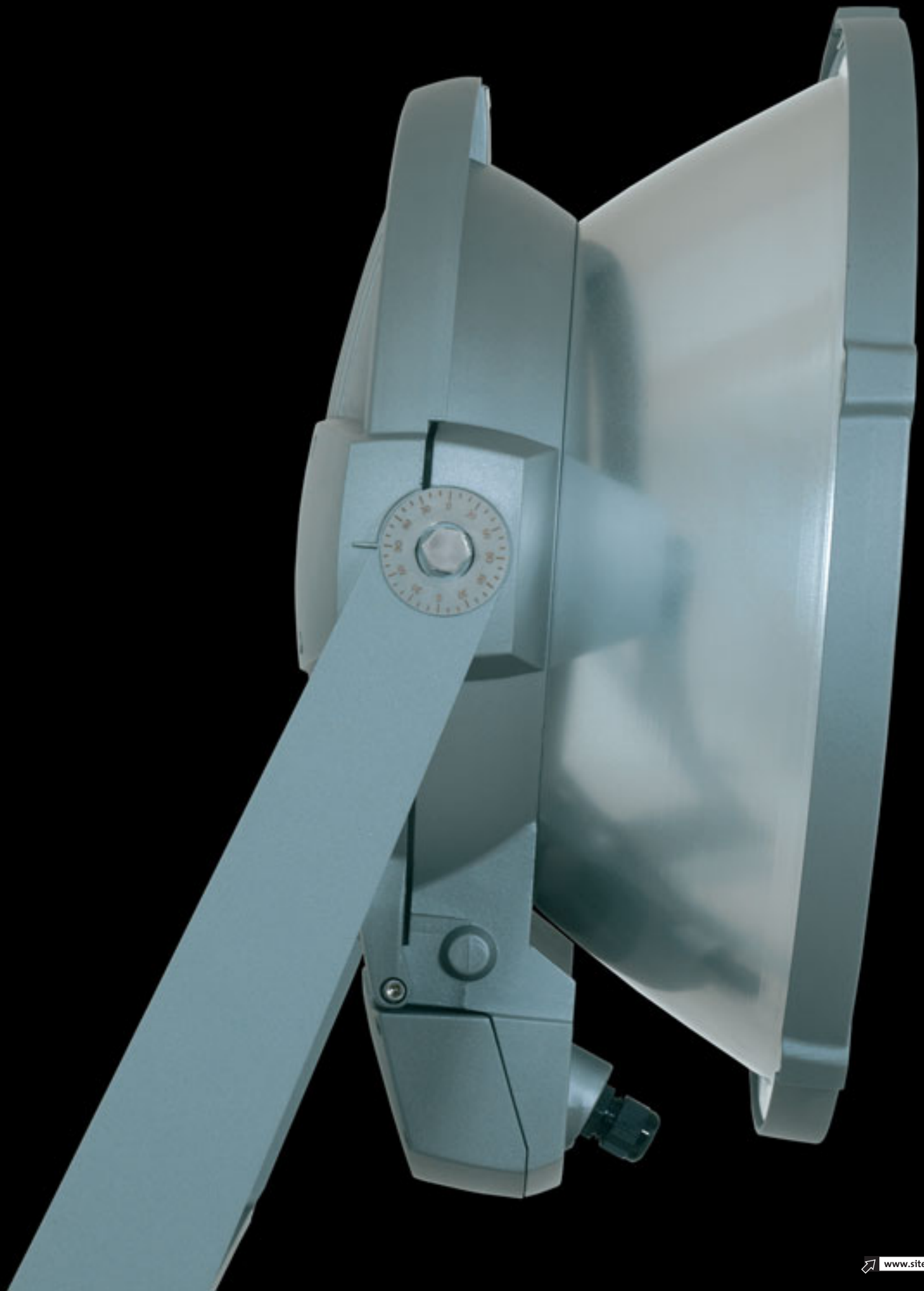
Reduction as a principle

The newly developed trapezoid mounting element allows the luminaire to be firmly fixed and at the same time gives a high degree of flexibility during positioning. Design of the integral connection and ignition box followed the principles of reduction. An additional advantage is the avoidance of external cables. These are protected on the inside of the housing. The low weight of the components and the compact size serve to heighten the aesthetic appearance of the luminaire. Clear contours and the integral cooling elements emphasise the aerodynamic form.

The reflector: precise lighting control

The reflector is manufactured with high-purity aluminium. Its highest grade, refined surface-processing enables the projector to achieve the highest light output ratio on the market with 87%. The form of the reflector combined with the powerful short-arc lamp (HQI-TS 1000 / 2000 WDS) creates precise focussing of light that is guided onto the playing field with almost no light spill.





Light, effectiveness, strength

According to the type of sport, lighting fixtures and concepts must satisfy specific demands. High illuminance levels, avoidance of glare and a homogenous lighting level upon the playing field are core requirements especially for fast-paced sports, the newer types of media technology and the latest developments in sport and event architecture. Protection against flying balls is a matter of course.

The Sicompact R3 MAXI projector sets new standards in terms of performance and comfort - especially in terms of changed stadium architecture demands, media diversity, technology developments and efficiency.





Stadium architecture

- Optimal configuration with comparably small distances between luminaire and illuminated surface
- Ideal for mounting to tribune roofs via trapezoid mounting elements with extended mounting surface
- Luminous intensity from 2,000 to 30,000 cd/klm

Media diversity

- Targeted light guidance with simultaneously uniform illumination of surfaces
- Excellent colour rendering: Ra values of ≥ 90 even after long service life
- Seven deployment-specific beam distribution characteristics

Technology

- Lamping: HQI-TS 1000/2000 WDS
- Additional, optimised glare protection: the AGF module ('additional glare filter')
- Continuous reflector geometry with optimal heat dissipation through housing

Efficiency

- Low immission levels with V-shaped, integral shield
- Thermal management for long service life of components
- Very high light output ratio $\eta_{LB} = 87\%$



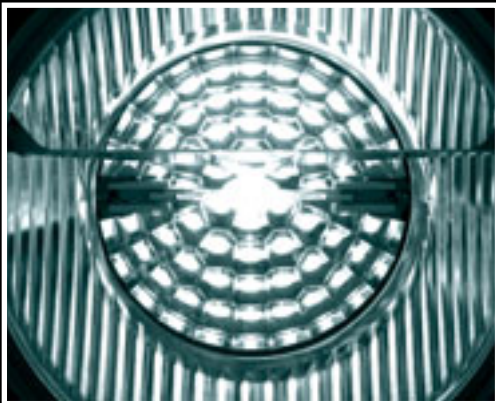
Glare reduction, homogenous illumination, luminous intensity

For optimal visual conditions, high levels of vertical components and a good localised uniformity of horizontal components are vital. The trend towards bringing light sources nearer to both playing field and spectators leads to a new graduation of lighting technology with the Sicompact R3 MAXI projector.



Optimal surface illumination

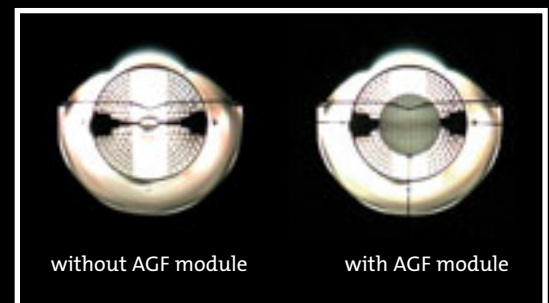
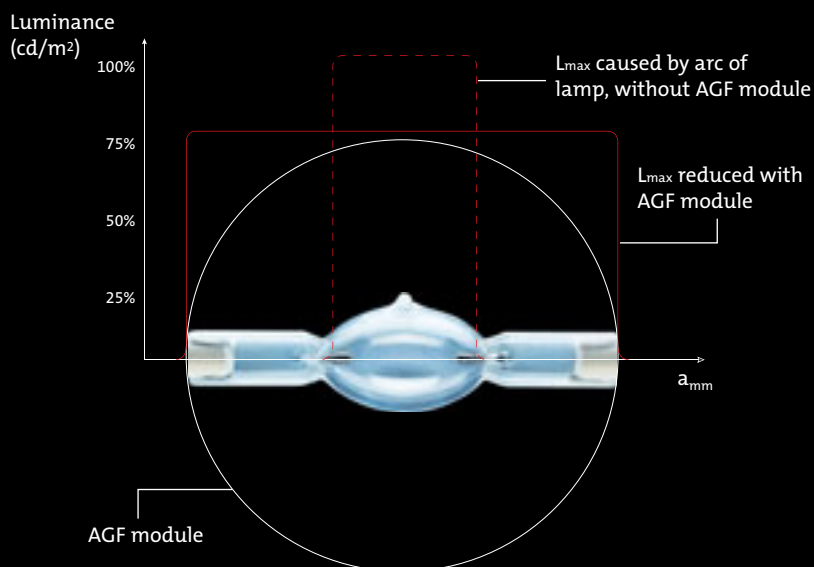
The Sicompact R3 MAXI projector has been designed for luminous intensities of between 2,000 and 30,000 cd/klm. It is a real allrounder with up to seven beam distribution patterns, giving a wide variety of applications for the new stadium generation. The new reflector geometry with optimal lamp positioning results in a very homogenous illumination of the complete reflector surface, avoiding zonally high luminance values. This results in an exceptional surface illumination with comparatively low glare.

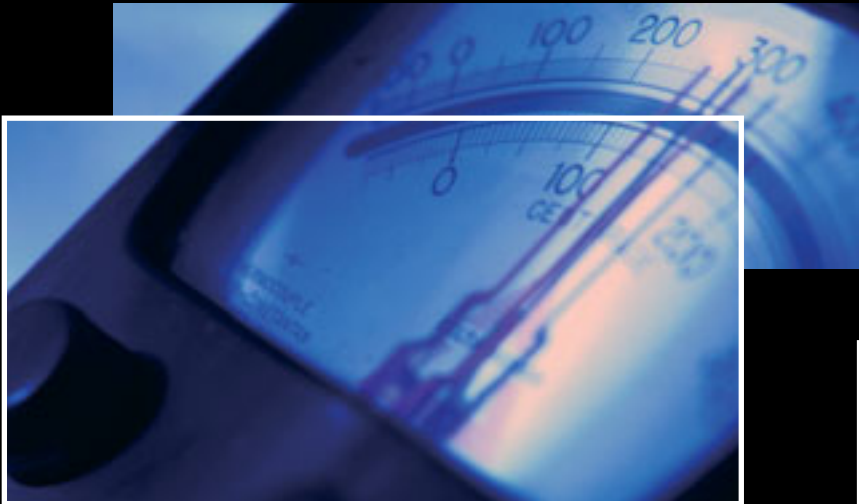


Always in the right light

In modern stadiums, light sources come closer to what is happening on the field. This means that glare must be avoided. In the case of the projector being aligned horizontally, a V-shaped, inner shield with sandwich construction prevents direct viewing of the lamp source. With steeper alignment angles the hexagonal faceted reflector optics lead to a further reduction of glare. The wide beam reflector structures effect a light point resolution and minimise glare effects even further.

An optionally available AGF module ('additional glare filter') provides further glare protection with projectors with steep alignment angles and reduces the luminance of the lamp by 23%. The sportsmen and participants on the playing field – especially the goal keeper – profit from this method of glare reduction. In addition to the seven standard beam distribution patterns, a further seven are provided with the AGF module.





Thermal management, maintenance, energy efficiency

Projectors must be easily installed and be simply maintained. At the same time, the highest safety standards go without saying: the Sicompact R3 MAXI projector has a positive-action mains disconnection integrated into the housing that cuts the voltage when the luminaire is opened. The projector is opened without tools at the rear. That makes maintenance easier. At the same time the projector stays in its original adjustment position when relamping. Reliability is of course expected from a high-performance projector under tough thermal conditions as well. For this reason a separate outer housing was dispensed with when designing the Sicompact R3 MAXI projector. The main reflector simultaneously functions as the luminaire housing, thereby guaranteeing optimal cooling.



Efficiency up, costs down

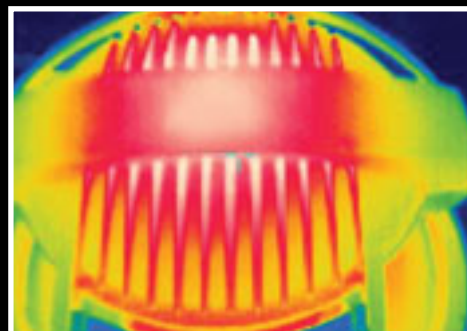
Higher efficiency with lower costs: With the new Sicompact R3 MAXI projector, you acquire an all-round, cost-efficient lighting system. The projector is characterised by a uniquely high light output ratio. Geometry, materials and components have been coordinated according to the principle of maximum energy efficiency. Due to the luminaire conception the high lumen output of the lamp is directed almost without light spill to the playing field. The result: less projectors are needed for the same lighting task. Further advantages are less electricity consumption, a lower investment and lower running costs. The new thermal management heightens the service life of the complete luminaire, including lamp and components. Longer maintenance intervals are the result. Light is guided forwards, heat is dissipated to the rear.

Conclusion: compared to conventional projector concepts, less luminaires are required for a specific lighting task. That means less investment, less cable, less components and less energy use with the same level of efficiency and performance.

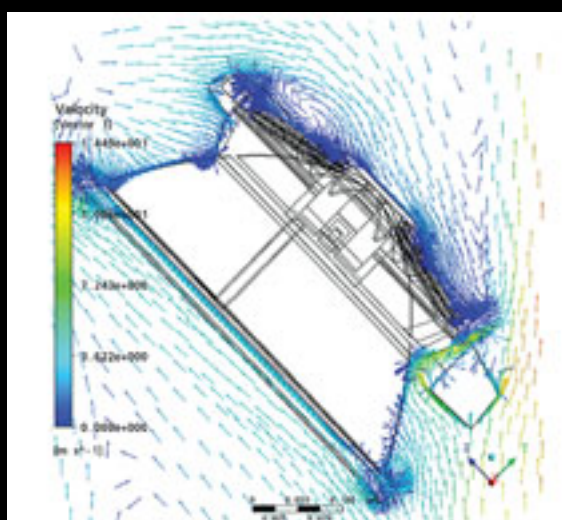


Technological precision – the basis for sustainable lighting

The Sicompact R3 MAXI projector has been designed according to the principles of energy efficiency. This includes thermal management. Even in the research and development stages, Siteco engineers were determined to combine the newest technologies with optimal performance, a gentle use of resources and maximum lighting quality.



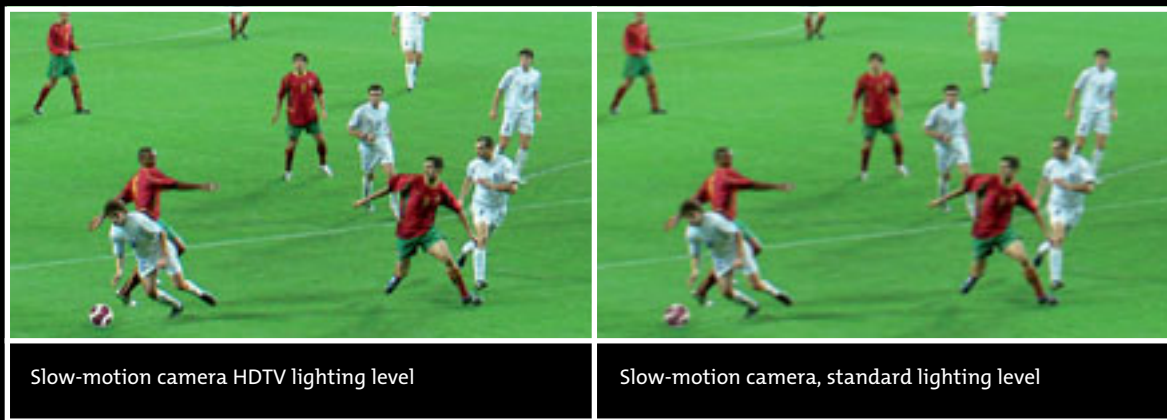
Simulation of heat distribution on the projector's outer surface.



Simulation of heat distribution on the projector's outer surfaces.
Thermal decoupling of the connection box with integral ignitor.

Reduction, dynamics, functionality

Media creates reality and the right lighting underlines the experience. The event on the screen becomes as real as if it were happening in front of you. The high resolution HDTV television standard heralds a generation change in television broadcasting for sports events: sharp images, more contrast, more details and almost 3-D effects - the Sicompact R3 MAXI projector was made for this.



The Sicompact R3 MAXI projector allows a lighting installation that satisfies the FIFA guidelines for colour television-compatible lighting over a long operating period. The significantly better quality is achieved via a higher number of pixels. More pixels, more images, faster recordings, more slow motion shots and more light: in order to optimally reproduce the happenings on the playing field, special cameras and a particularly high performance lighting are required: the Sicompact R3 MAXI projector guarantees glare-reduced illumination for both players and spectators. And the projector does not only emit bright light. The excellent colour rendering properties with values of ≥ 90 are much higher than average.





Light where it is really needed

The Sicomact R3 MAXI projectors minimise light immission. The rotationally symmetrical projectors avoid unwanted light spill and light emittance into the hemisphere ('sky glow'), and reduce direct glare. They guide the light forwards, laterally and downwards. The light is guided with a high light output ratio onto the surface to be illuminated. At the same time the new projector creates a uniform illumination of the playing field. A specially formed inner shield limits glare and light spill with all luminaire variations. Light is projected effectively to exactly where it is needed. Uncontrolled stray light is reduced to a minimum. That is especially important, because many arenas and sports centres are situated near to residential areas and dense traffic zones. The light stays in the stadium.



Comparison: R3 MAXI / high-grade standard projector

Project: World Cup stadium

Project description / requirements:

- stadium for 45,000 spectators
- luminaire installation upon tribune roof
- playing field illumination according to FIFA guidelines:
 - fixed camera: Ev = 2400 Lux / uniformity: U1= 0.5; U2 = 0.7
 - playing field camera (mobile): Ev = 1800 lux / uniformity: U1= 0.4; U2 = 0.65

	R3 MAXI	High-grade standard projector
Number of projectors	306	352
Horizontal illuminance Eh U1 / U2	3112 Lux 0.65 / 0.80	3140 Lux 0.71 / 0.86
Ev fixed camera: U1 / U2	2432 Lux 0.56 / 0.75	2424 Lux 0.61 / 0.77
Ev playing field camera: U1 / U2	1954 Lux 0.51 / 0.74	1933 Lux 0.58 / 0.76

Conclusion

Compliance with FIFA guidelines with less Sicompact R3 MAXI projectors.
This leads to the following savings:

- lower investments, e.g.
 - less projectors
 - less ballasts
 - less lamps
 - lower installation costs (cable, switching elements, system control, transformer costs etc.)
- lower running costs, e.g.
 - lower electricity costs
 - lower maintenance costs
 - lower costs for replacement parts (lamps etc.)
- lower greenhouse gas emissions

Shutter

Luminaire attachment for the R3 MAXI for mechanical dimming. The shutter is controlled via a DMX signal and is used for effect lighting within the arena.

Further interfaces (e.g. LON /EIB) are currently being developed. The integrated lateral ventilator prevents lamp overheating in closed condition.

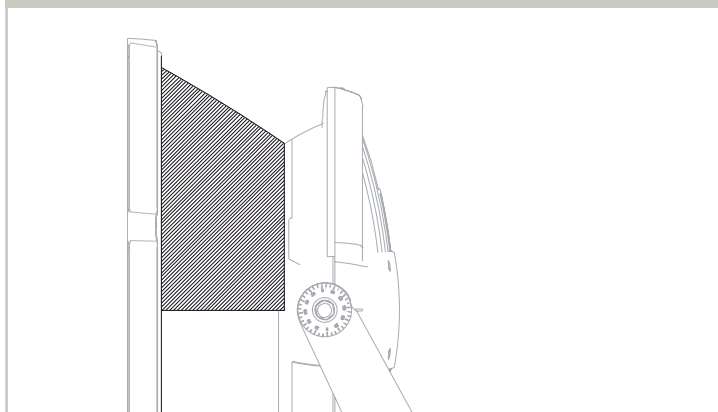
The shutter speed (fade time) is controlled via DMX and is a minimum of 1.6 seconds.

Please use the following E-mail address for detailed information: sports-lighting@siteco.de

Technical specifications and design subject to change without notice.



Hail Shield



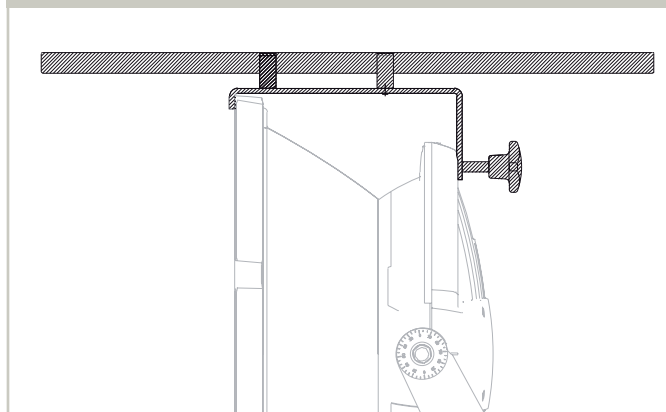
Article

Order No.

Hail shield for R3 MAXI

● 5NA 756 0-0XH

Sighting Device



Article

Order No.

Sighting device for R3 MAXI

● 5NA 756 0-0XJ

Module for glare reduction: AGF module



Article

Order No.

AGF module¹⁾ for R3 MAXI (can be retrofitted) ● 5NA 756 0-0XGF1

1) Additional Glare Filter: supplementary glare reduction / reduced luminance for projectors with steep alignment angles

Ballasts



Article

Order No.

Ballast unit, with power factor correction, without fuse; IP65

HIT-DE 1000 WDS 220/230/240 V 50Hz ● 5NA 779 2-1VR0

HIT-DE 2000 WDS 380/400/420 V 50Hz ● 5NA 779 2-1VR10

Article

Order No.

Replacement glass for R3 MAXI

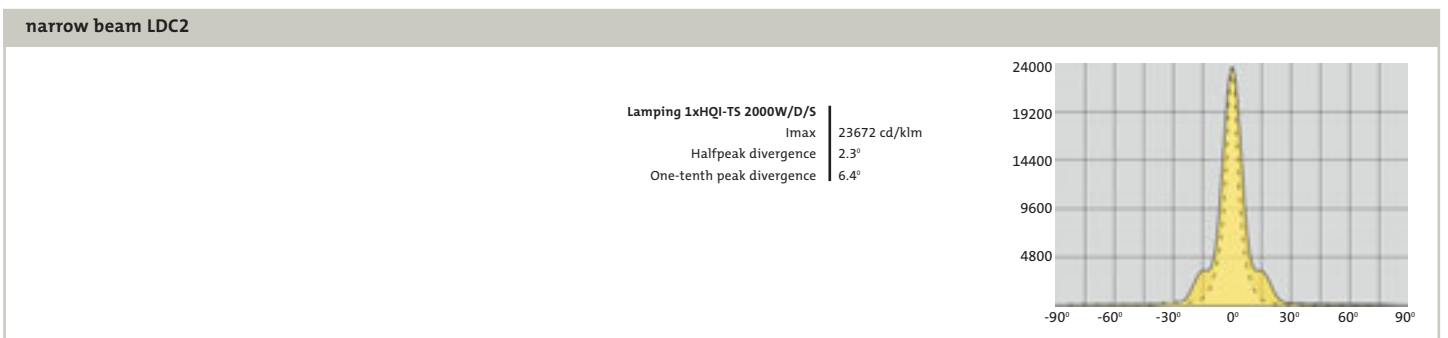
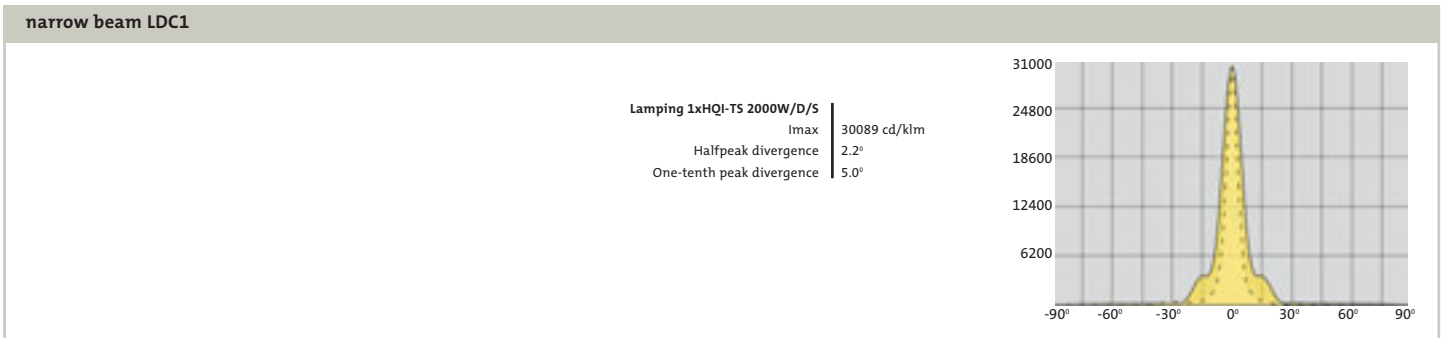
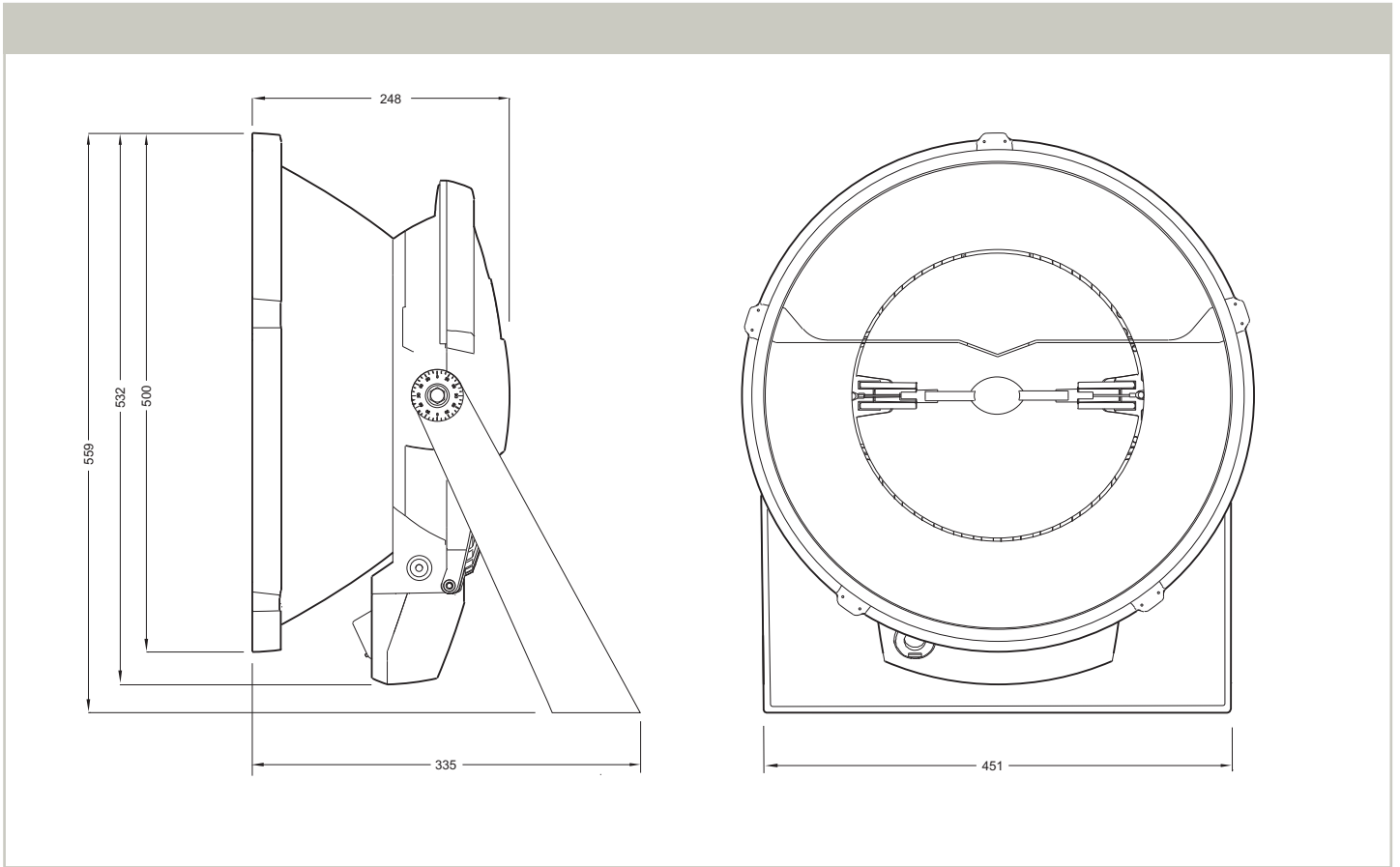
5NA 756 0-0XG

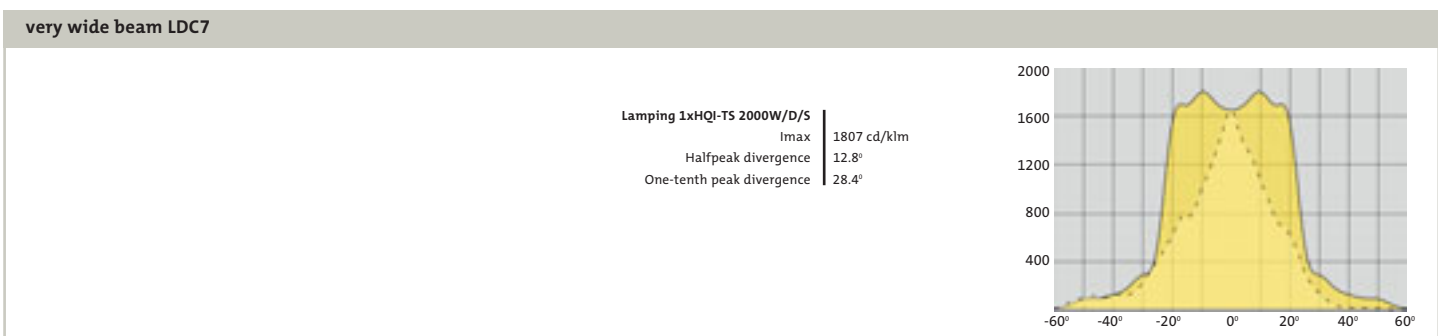
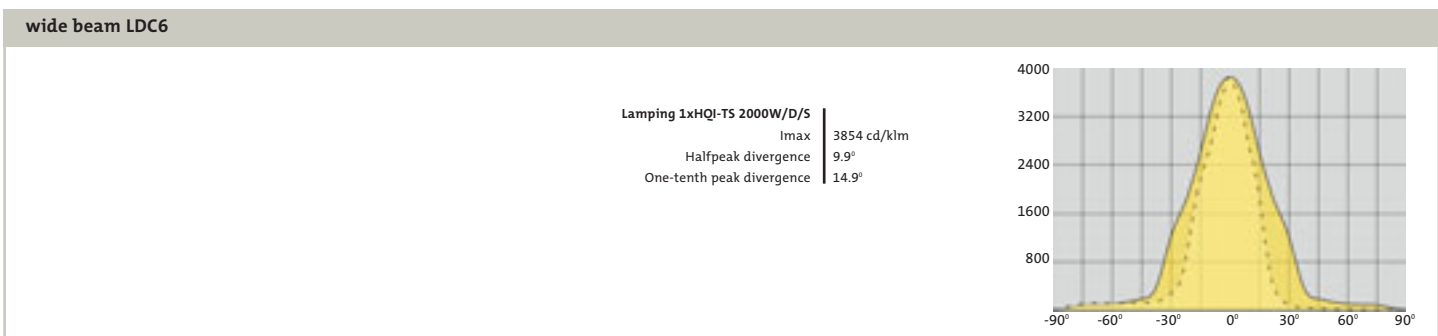
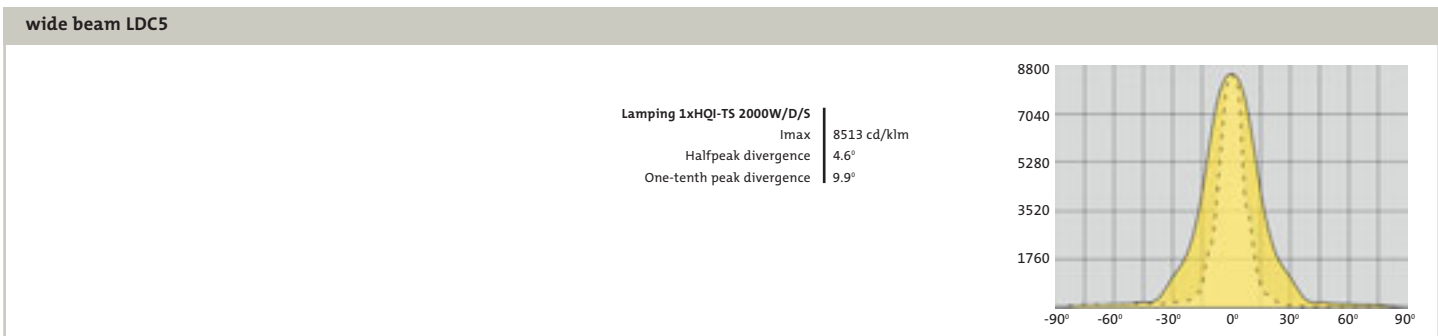
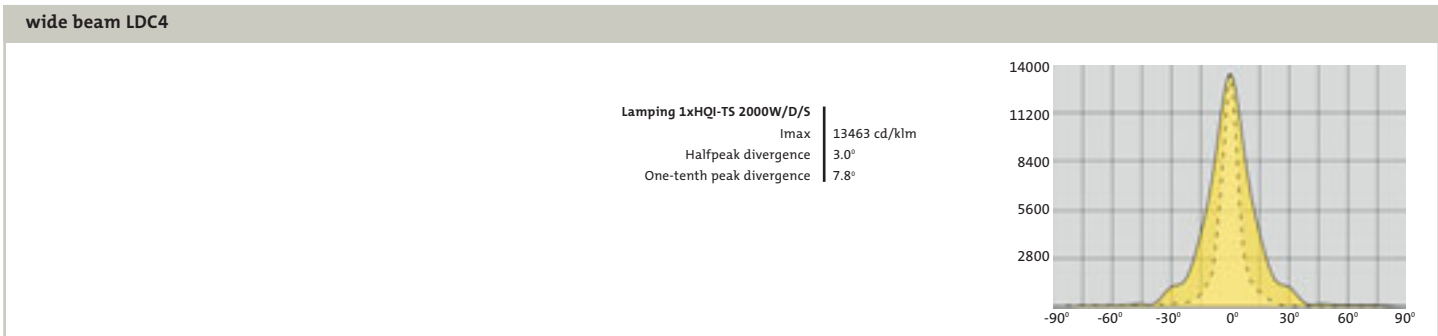
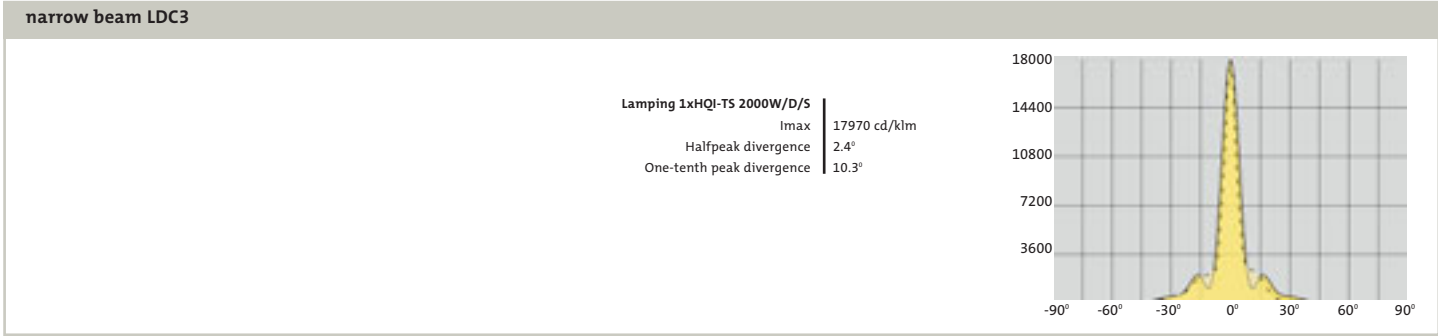
Protective grid for R3 MAXI

on request

Ignitor with automatic power-off

on request





Unity and diversity as one concept.

The spectrum of possible application areas for the Sicompact R3 MAXI projector range from stadiums, sports centres and training locations to the illumination of public indoor and outdoor areas where people meet and gather. Congress centres, trade-fairs and large event halls are examples for indoor applications. The projector also proves its worth with the lighting of high buildings and towers.





Sicompact S2 MAXI
symmetrical



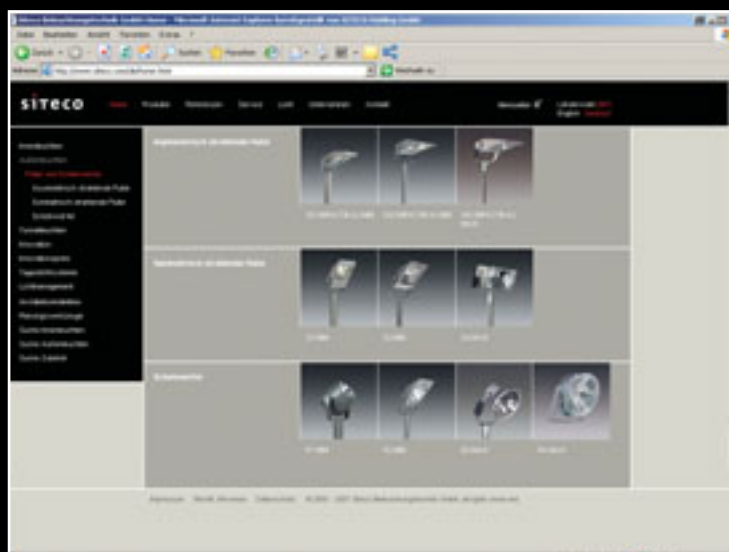
Sicompact A2 MAXI
asymmetrical

Sicompact S2 MAXI	Sicompact A2 MAXI
<p>Lighting Technology</p> <ul style="list-style-type: none"> • Bifocal reflector system with uniform illumination whether close or far from mast. • Significantly less light spill compared to classical symmetrical floodlights with simultaneous increase of system efficiency. <p>Application</p> <p>Lighting of large sports halls and swimming baths and lighting of stadiums, athletics tracks and ski slopes for competitive events.</p> <p>For mounting heights: 12 - 30 m</p>	<p>Lighting Technology</p> <ul style="list-style-type: none"> • Asymmetrical beam with maximal luminous intensity at 66° • Horizontal light emission aperture for minimised light spill <p>Application</p> <p>Lighting of football training fields, tennis courts, athletics tracks, large sports halls, ski slopes and race tracks.</p> <p>For mounting heights: 12 - 25 m</p>
<p>MAXI family - the system</p> <p>A2 MAXI, S2 MAXI and R3 MAXI can all use the Osram HQI-TS 2000/D/S lamp. With identical colour temperature and colour rendering properties the luminaires can be combined and can supplement large locations especially for TV / HDTV broadcasting. Combinations are especially suitable for stadiums with relatively low tribune roofs. The result is a highly homogenous, low-glare illumination.</p>	



Service non-stop: because light is our passion.

Information and service in focus.



At www.siteco.com you can find complete information for the Siteco Sicompact R3 MAXI projector under the menu item 'Products'. Plan comfortably, work successfully - use the electronic product catalogue with technical information, tender texts, installation instructions and much more. And gather ideas for your planning for various application segments.

The Siteco Lighting Innovation Centre redefines light.

As a company that has more than 100 years of history, Siteco has defined lighting technology. With the new Lighting Innovation Centre we are addressing both the tradition of light and the potential and possibilities of lighting in a clear and demonstrative way.

To see and experience the principles of innovation, service and competence is the aim of the Lighting Innovation Centre.

It presents itself as a think tank and architectonic stage for the development and presentation of new products, technologies and lighting concepts.

At the same time it serves as a forum and campus for lighting education. You can also use the Lighting Innovation Centre as a meeting-place and platform for information, innovation and as a source for new knowledge.



Further information about lighting for sports is available with our Sports Light brochure

For further information please contact a sales office in your vicinity:

Sales Germany

Berlin
Nonnendammallee 42-43
D-13599 Berlin
Tel. (030) 355309-10
Fax (030) 355309-20
eMail: berlin@siteco.de

Frankfurt/Main
Rödelheimer Landstraße 13
D-60487 Frankfurt/Main
Tel. (069) 970974-10
Fax (069) 970974-11
eMail: frankfurt-main@siteco.de

Hamburg
Valvo Park, Gebäude K
Essener Straße 4
D-22419 Hamburg
Tel. (040) 537120-50
Fax (040) 537120-77
eMail: hanse@siteco.de

Hannover
Dorfstraße 17
D-30519 Hannover
Tel. (0511) 874152-50
Fax (0511) 874152-40
eMail: hannover@siteco.de

Leipzig
Fuggerstraße 1A
D-04158 Leipzig
Tel. (0341) 52677-12
Fax (0341) 52677-20
eMail: leipzig@siteco.de

Lünen
An der Wethmarheide 34
D-44536 Lünen
Tel. (02306) 2004-0
Fax (02306) 2004-20
eMail: ruhr@siteco.de

Mannheim
Josef-Meyer-Straße 13-15
D-68167 Mannheim
Tel. (0621) 39701-0
Fax (0621) 39701-30
eMail: mannheim@siteco.de

Munich
Neumarkter Straße 80
D-81673 München
Tel. (089) 454296-0
Fax (089) 454296-77
eMail: muenchen@siteco.de

Nuremberg
Gebäude G/1. OG
Allersberger Straße 185
D-90461 Nürnberg
Tel. (0911) 94178-0
Fax (0911) 94178-31
eMail: nuernberg@siteco.de

Stuttgart
Rutesheimer Straße 24
D-70499 Stuttgart
Tel. (0711) 880237-0
Fax (0711) 880237-30
eMail: stuttgart@siteco.de

Sales Austria

Graz
Straßganger Straße 315
A-8054 Graz
Tel. +43 (316) 28 45 03
Fax +43 (316) 28 64 77
eMail: graz@siteco.at

Innsbruck
Tiergartenstraße 37
A-6023 Innsbruck
Tel. +43 (512) 39 43 43
Fax +43 (512) 39 43 45
eMail: innsbruck@siteco.at

Klagenfurt
Spitalbergweg 20
A-9020 Klagenfurt
Tel. +43 (463) 48 18 80
Fax +43 (463) 48 18 80-5
eMail: klagenfurt@siteco.at

Linz
Pillweinstraße 30
A-4020 Linz
Tel. +43 (732) 60 70 80
Fax +43 (732) 60 60 40
eMail: linz@siteco.at

Salzburg
Alte Aigner-Straße 41
A-5026 Salzburg
Tel. +43 (662) 62 58 02
Fax +43 (662) 62 58 02 22
eMail: salzburg@siteco.at

Vienna
Leonard-Bernstein-Straße 10
A-1220 Wien
Tel. +43 (1) 250 24-0
Fax +43 (1) 250 24-255
eMail: wien@siteco.at

Sales Switzerland

Bern
Siteco Schweiz AG
Airport Business Center 62
CH-3123 Belp-Bern
Tel. +41 31 818 28 28
Fax +41 31 818 28 20
eMail: info@siteco.ch

Sales Europe

Belgium (Indoor Lighting)
C.T.R. s.a.
Rue J.B. Decockstraat, 99-101
B-1080 Bruxelles
Tel. +32 2 410 50 10
Fax +32 2 410 02 46
eMail: mschayer@ctr.be

Benelux (Outdoor Lighting)
Siteco Benelux
Middendreef 49
B-2920 Kalmthout
Tel. +32 366 638 05
Fax +32 366 608 73
eMail: benelux@siteco.com

Bosnia and Herzegovina
Siteco d.o.o.
Predstavništvo u BiH
Ul. Hamdije Cemerlića 2
BiH-71000 Sarajevo
Tel. +387 33 718 640
Fax +387 33 654 814
eMail: siteco@bih.net.ba

Croatia
Siteco d.o.o.
Predstavništvo u Republici
Hrvatskoj
Trg Drazena Petrovica 3
HR-10000 Zagreb
Tel. +385 1 48 12 417
Fax +385 1 48 43 588
eMail: r.sadaic@siteco.hr

Czech Republic
Siteco Lighting, spol s.r.o.
U Nikolajky 1085/15
CZ-15000 Praha 5-Smichov
Tel. +420 251 013 800
Fax +420 251 560 772
eMail: info@siteco.cz

Denmark
Siteco Beleuchtungstechnik
Odinsvej 31
DK 6500 Vejers
Tel. +45 73 54 04 50
Fax +45 73 54 04 51
eMail: denmark@siteco.com

Finland (Indoor Lighting)
Pejan OY
Lemuntie 3-5
FI-00510 Helsinki
Tel. +358 9 819 0100
Fax +358 9 802 4566
eMail: info@pejan.fi

Finland (Outdoor Lighting)
Silux Oy Ab
Ulappakatu 1
FI-02320 Espoo
Tel. +358 9 80 22 077
Fax +358 9 80 21 990
eMail: info@silux.fi

France
ANDOMIA Sarl
Parc Club des Tanneries BP77
FR-67832 Lingsolsheim
Tel. +33 3 88 76 55 75
Fax +33 3 88 76 08 72
eMail: andomia@wanadoo.fr

Greece
Siemens A.E.
Artemidos 8 - P.O. Box 61011
GR-151 10 Amaroussio/Athen
Tel. +30 210 6864 578
Fax +30 210 6864 578
eMail: info@siteco.de

Hungary
Siteco Lighting, spol s.r.o.
U Nikolajky 1085/15
CZ-15000 Praha 5-Smichov
Tel. +420 251 013 800
Fax +420 251 560 772
eMail: info@siteco.cz

Ireland
Siteco Ltd
Unit 3-4 Grosvenor Business Park
Horsfield Way
Bredbury Industrial Estate
Stockport
SK6 2SU
United Kingdom
Tel. +44 161 406 0800
Fax +44 161 494 6756
eMail: info@siteco.co.uk

Italy
Siteco Lighting Systems S.r.l.
Via Pollini 8
I-20126 Milano
Tel. +39-0266-11-7107
Fax +39-0266-11-3056
eMail: info@sitecoitalia.it

Luxembourg
MINUSINES S.A.
8, rue Hogenberg
L-1022 Luxembourg
Tel. +352 49 58 58
Fax +352 49 58 66
eMail: info@minusines.lu

Netherlands (Innenleuchten)
Industriellicht B.V.
Van Hennaertweg 7
NL-2952 CA Allbasserdam
Tel. +31 78 6920 900
Fax +31 78 6920 905
eMail: info@industriellicht.nl

Norway
Siteco Belysning AS
Ole Deviks Vei 4
N-0666 Oslo
Tel. +47 23 37 32-50
Fax +47 23 37 32-60
eMail: siteco@siteco.no

Poland
Siteco Lighting Poland Sp.z.o.o
ul. Polecki 21
PL-02-822 Warszawa
Tel. +48 22 5450583
Fax +48 22 5450584
eMail: info@siteco.com.pl

Portugal
Siemens S.A.
A & D Iluminação
Rua Irmaos Siemens 1
PT-2720-093 Amadora
Tel. +351 21 417 82 08
Fax +351 21 417 80 27
eMail: iluminacao.pt@siemens.com

Sweden
Annell Ljus + Form AB
Surbrunnsgatan 14
SE-11421 Stockholm
Tel. +46 8 442 90 00
Fax +46 8 442 90 25
eMail: info@annell.se

Serbia and Montenegro
Siteco d.o.o. Predstavništvo
Palmoticeva 16 A
SCG-11000 Beograd
Srbija / Crna Gora
Tel. +381 11 303 31 35/36
Fax +381 11 303 31 37
eMail: godjevac@siteco.co.yu

Slovenia
Siteco Sistemi d.o.o.
Trzaska c.23
SI-2000 Maribor
Tel. +386 2 300 4277
Fax +386 2 332 5202
eMail: prodaja@siteco.si

Spain
Siemens S.A., PS 8
Ronda de Europa 5
E-28760 Tres Cantos (Madrid)
Tel. +34 91 514 8000
Fax +34 91 514 7016
eMail: info@siteco.de

Turkey
Siteco Aydinlatma Teknigi
E5 Yanyol
Esentepe Mah. No:11
TR-34870 Kartal / Istanbul
Tel. +90 216 517 8386
Fax +90 216 517 7970
eMail: siteco@siteco.com.tr

United Kingdom
Siteco Ltd
Unit 3-4 Grosvenor Business Park
Horsfield Way
Bredbury Industrial Estate
Stockport
SK6 2SU
United Kingdom
Tel. +44 161 406 0800
Fax +44 161 494 6756
eMail: info@siteco.co.uk

London:
Siteco Ltd
1-2 Hatfield Street
London SE1 9PJ
United Kingdom
Tel. +44 207 960 9611
Fax +44 207 960 9612
eMail: info@siteco.co.uk

International Sales

Headquarters China
Siteco Prosperity Lighting
(Hong Kong) Co. Ltd.
1401 Harbour Centre
25 Harbour Road
Wanchai
Tel. +852 3529 1623
Fax +852 3529 1222
eMail:
info@siteco-prosperity.com

Siteco Prosperity Lighting
(Langfang) Co. Ltd.
Beijing Branch Office
Room B2903 Eagle Plaza
No. 26 Xiao Yun Road
Chao Yang District
Beijing, China, 100016
Tel. +86 10 84 58 01 19
Fax +86 10 84 58 02 98
eMail:
beijing.info@siteco-prosperity.cn

Siteco Prosperity Lighting
(Langfang) Co. Ltd.
Shanghai Office
Room 40H
179 Zhongshan Road (W)
Shanghai, China 200051
Tel. +86 021 5272 40 52
Fax +86 021 5272 37 33
eMail:
shanghai.info@siteco-prosperity.com

Headquarters Middle East
Siteco Lighting Systems
Branch Office

DAFZA, Eastwing II, Office 308,
P.O. Box 54317, Dubai,
United Arab Emirates
Tel. +971 4 299 69 51
Fax +971 4 299 69 52
eMail: g.scott@siteco.com

UAE
ARASCA
(Arabian Scandinavian Gen. Trdg. Co.)
PO BOX : 86637, Dubai, UAE
Tel. +971 4 2861362
Fax +971 4 2861364
email: arasca@emirates.net.ae

Jordan
Huda Lighting
Le Royal Hotel, office #402
P.O. Box 35260
Amman - 11180 - Jordan
Tel. +962 79 630 3132
Fax +962 6 582 8775
eMail: info@hudalighting.com

Kuwait
Siteco Lighting Design Center
Kuwait
Dajeej at Farwaniyah
Waha Mall
Shops 33 & 34
P.O. Box 5715 Salmiah
220068 Kuwait
Tel. +965 434 84 42
Fax +965 434 83 66
eMail: info@debbaskuwait.com

Lebanon
Huda Lighting
Kalaa Street
Geetra Building, fifth floor
Beirut - 2036 9604 - Lebanon
Tel. +961 1 795005
Fax +961 1 795006
eMail: info@hudalighting.com

Qatar
Al Huda Lighting
Al Saad Street
Al Mana Center, Second floor
P.O. Box 22108
Doha - Qatar
Tel. +974 44 6757
Fax +974 44 6968
eMail: info@hudalighting.com

Egypt
El Sewedy Electrical
Equipment & Cables Co.
21 Cleopatra St. El Korba
Heliopolis, Cairo
Tel. +202 690 86 54
Fax +202 690 86 57
eMail: elswedy@link.net

Headquarters South East Asia Pacific
Siteco Lighting (M) Sdn Bhd
No 3A-15, IOI Business Park,
No 1, Persiaran Puchong Jaya
Selatan, Bandar Puchong Jaya
47100 Puchong
Selangor Darul Ehsan
Tel.: +603 8070-4722
Fax: +603 8070-8845
eMail: info@siteco.com.my

Australia
Sylvania Lighting
Australasia PTY Ltd.
Locked Bag 9
NSW 2250 Gosford Australia
Tel. +61 2 4328 0600
Fax +61 2 4328 0698
eMail: sylvaniasia@sla.net.au

Indonesia
PT Sielittec
Cahaya Tunggal Indonesia
Kompleks Ferry Sonnevile
Block IV Kavling D1/D2
Gunung Putri
16961 Bogor
Tel. +6221 867 1461
Fax +6221 867 1743
eMail: sielittec@indo.net.id

Korea
Siteco Lighting Design Center Seoul
1420 Rosedale Building
724 Soosoo-Dong, Kangnam-Gu
Seoul, Korea 135-744
Tel. +822 6242 10 98
Fax +822 6242 11 97
eMail: mail@sitecokorea.co.kr

Singapore
Sielittec Pte. Ltd.
49 Jalan Pemimpin # 03-05
APS Industrial Building
577203 Singapore
Tel. +65 6255 2325
Fax +65 6255 1890
eMail: sielittec@singnet.com.sg

Headquarters GUS/Russia
Siteco Lighting Systems
Krasnoprolatarskaya str. 7,
Building 2
127006 Moscow Russia
Tel. +7 495 518 9840
Fax +7 495 792 5302
eMail: olga@siteco.dol.ru

Latvia
Siteco Lighting Design Center
Terbatas iela 28, 3 stavs
LV-1011 Riga
Tel. +371 728 2235
Fax: +371 728 2289
eMail: janis@silicalatvija.lv

Lithuania
SVIESOS STUDIJA
Gelezinkello str. 6, Vilnius 02100
Lithuania
Tel. +3705 239 59 10
Fax. +3705 239 59 11
eMail: info@sviesos-studija.lt

Venezuela
Dierck Sistemas de Iluminación
4ta Avenida y 5ta Transversal
Los Palos Grandes
Caracas, 1061Venezuela
Tel. 0058-(0)212+287 0864
Fax 0058-(0)212+2870123
eMail: info@dierck.vc

South Africa
Lighting Innovations
Corner 5th Street & Carey Road
Wynberg, Sandton
P.O. Box 548
Berglei 2012
Johannesburg, South Africa
Tel. +27 011 444 - 1168
Fax +27 011 444 - 0116
eMail:
craig@lightinginovations.co.za

Please note the following publications:



Outdoor Luminares 2006 / 2007



Indoor Luminares 2006 / 2007

Order No. 1182
Subject to change without notice
© Siteco Marketing 10/2007
5.000 VD

siteco

Siteco Lighting Systems
Georg-Simon-Ohm-Straße 50 | 83301 Traunreut | Germany
Tel: +49 (0)8669 33-822 | Fax: +49 (0)8669 33-397
E-Mail: info@siteco.de · Web: www.siteco.com