

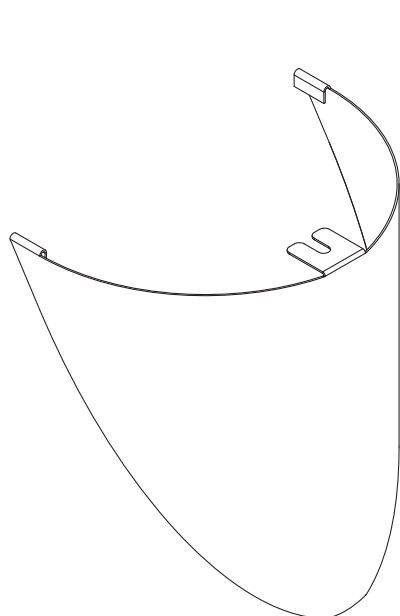
LED Modul 540

Protection

5XA54000XBS

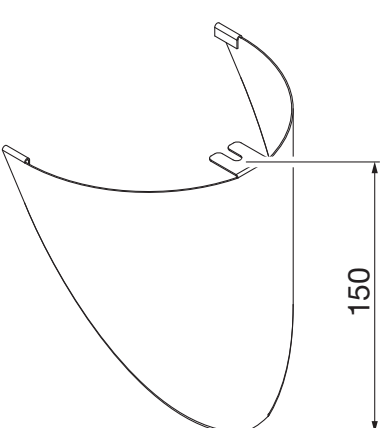
5XA54000XBL

5XA54000XBL





siteco

5XA54000XBS [mm]



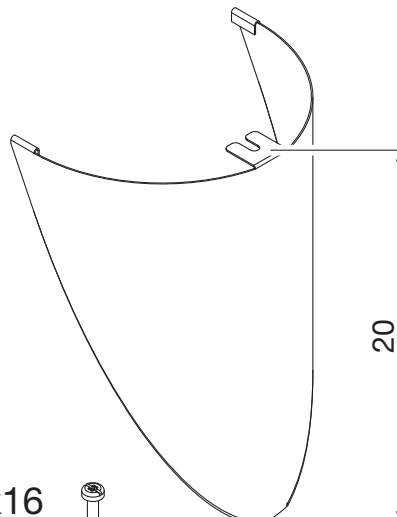
1x

1x M5x16 


1x A5.3 


kg ≤ 0.05

5XA54000XBL



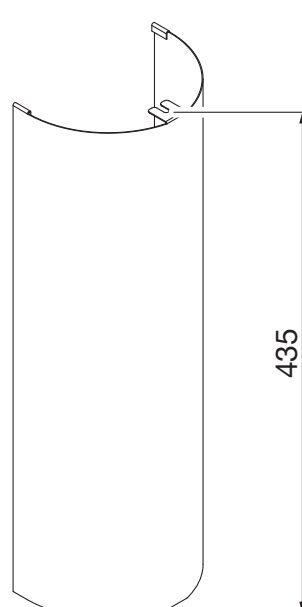
1x

1x M5x16 


1x A5.3 


kg ≤ 0.07

5XA54000XBXL

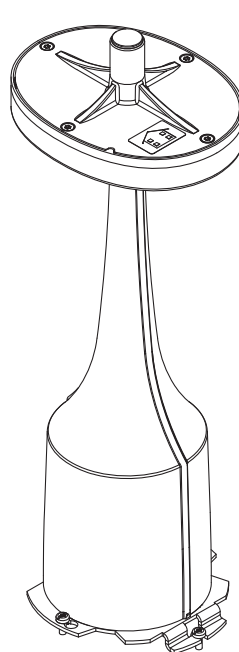


1x

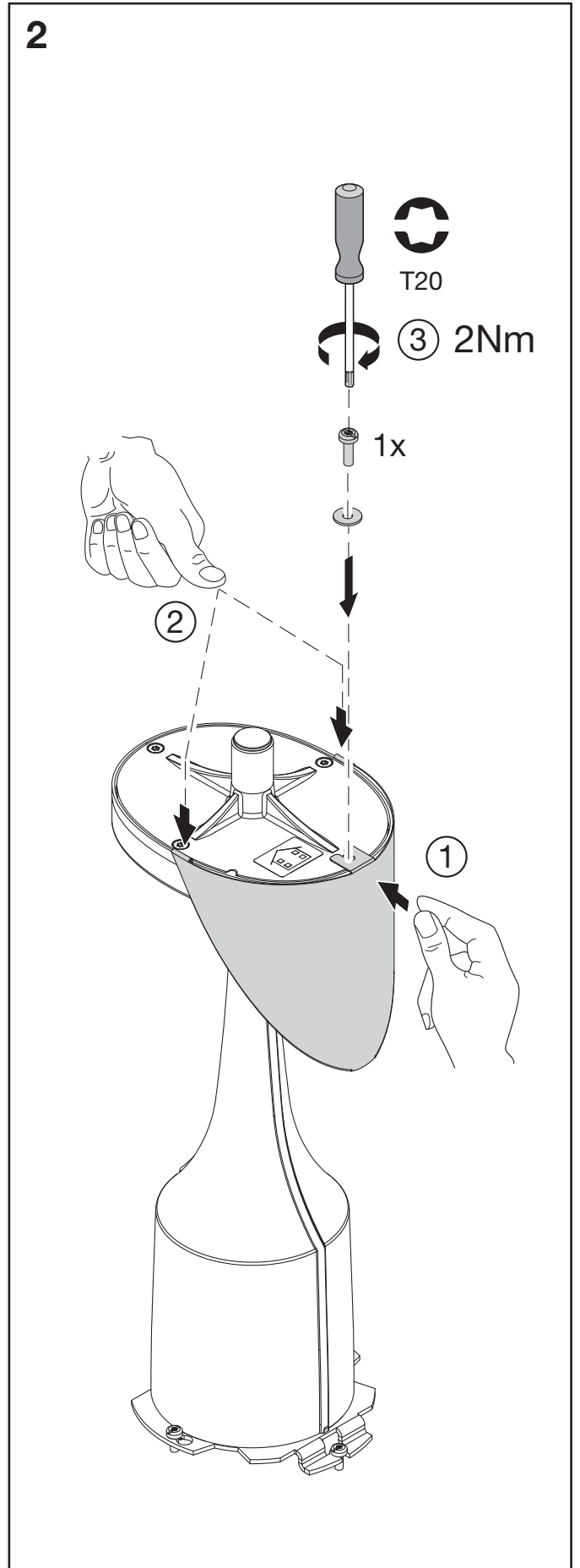
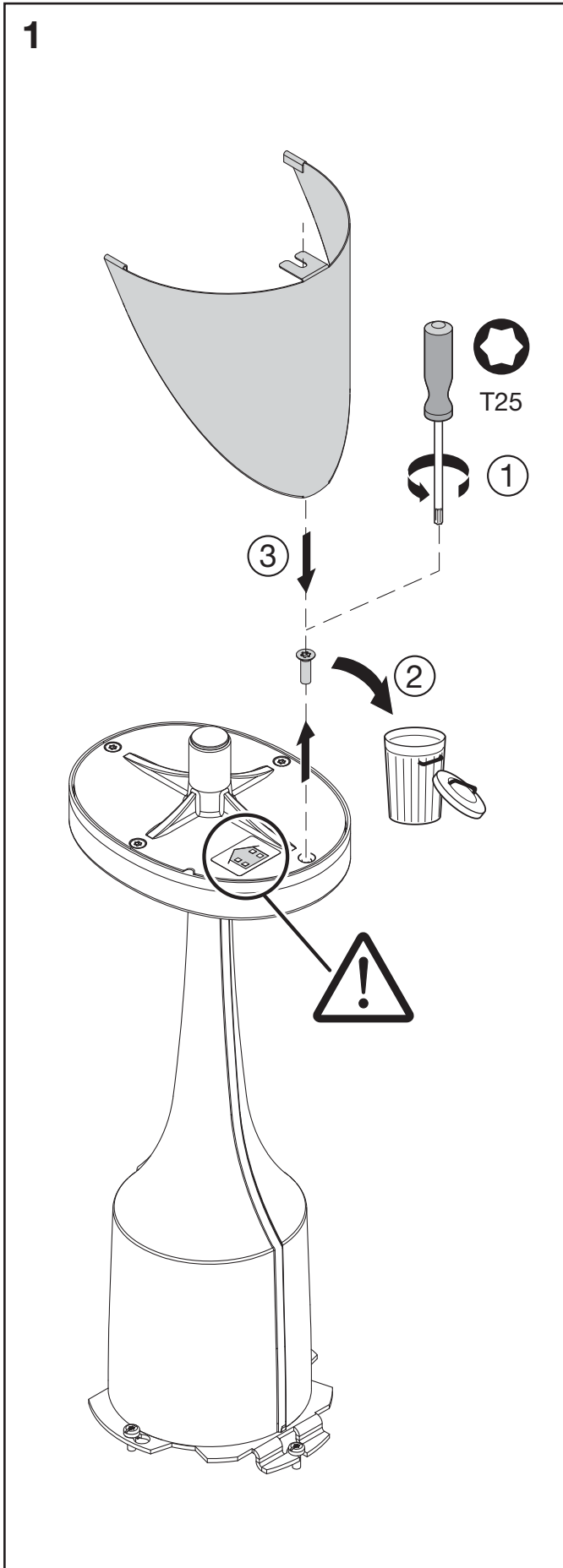
1x M5x16 

1x A5.3 

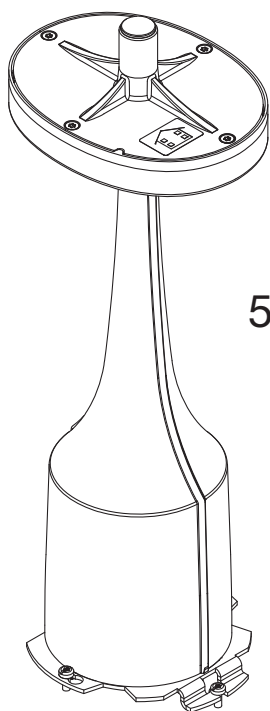
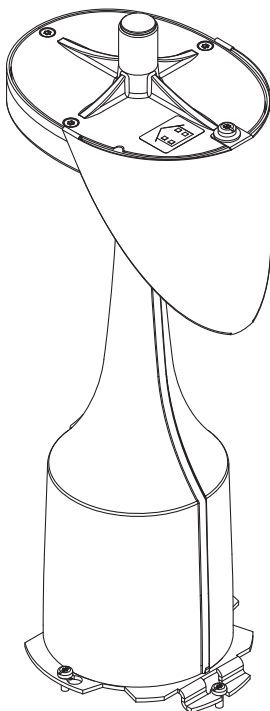
kg ≤ 0.05



5XA54000XBS
5XA54000XBL → 5XA540...



3



5XA540...



- 5XA523...
- 5XA524...
- 5XA525...
- 5XA526...
- 5XA527...
- 5XA528...
- 5XA529...
- 5XA530...
- 5XA541...
- 5XA542...



5MA83-248429_ac
10.11.2020 / WEI

Siteco GmbH
Georg-Simon-Ohm-Straße 50
83301 Traunreut, Germany
mail: technicalsupport@siteco.de
Phone: +49 8669 / 33-844
www.siteco.com