

Silica[®] 21

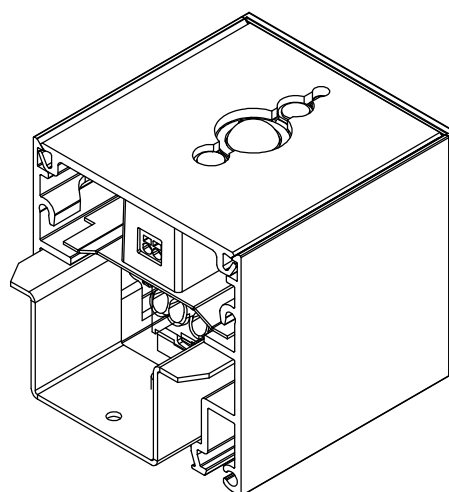
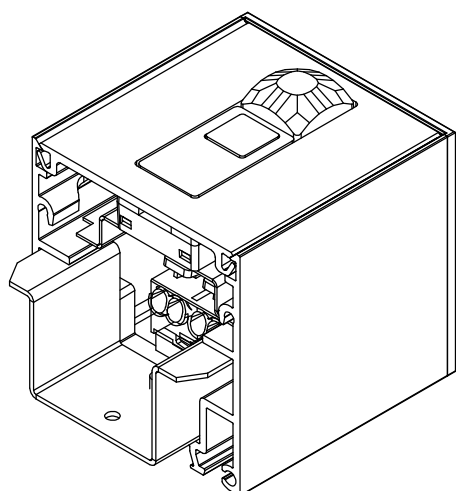
Sensor

59MX2BD0...

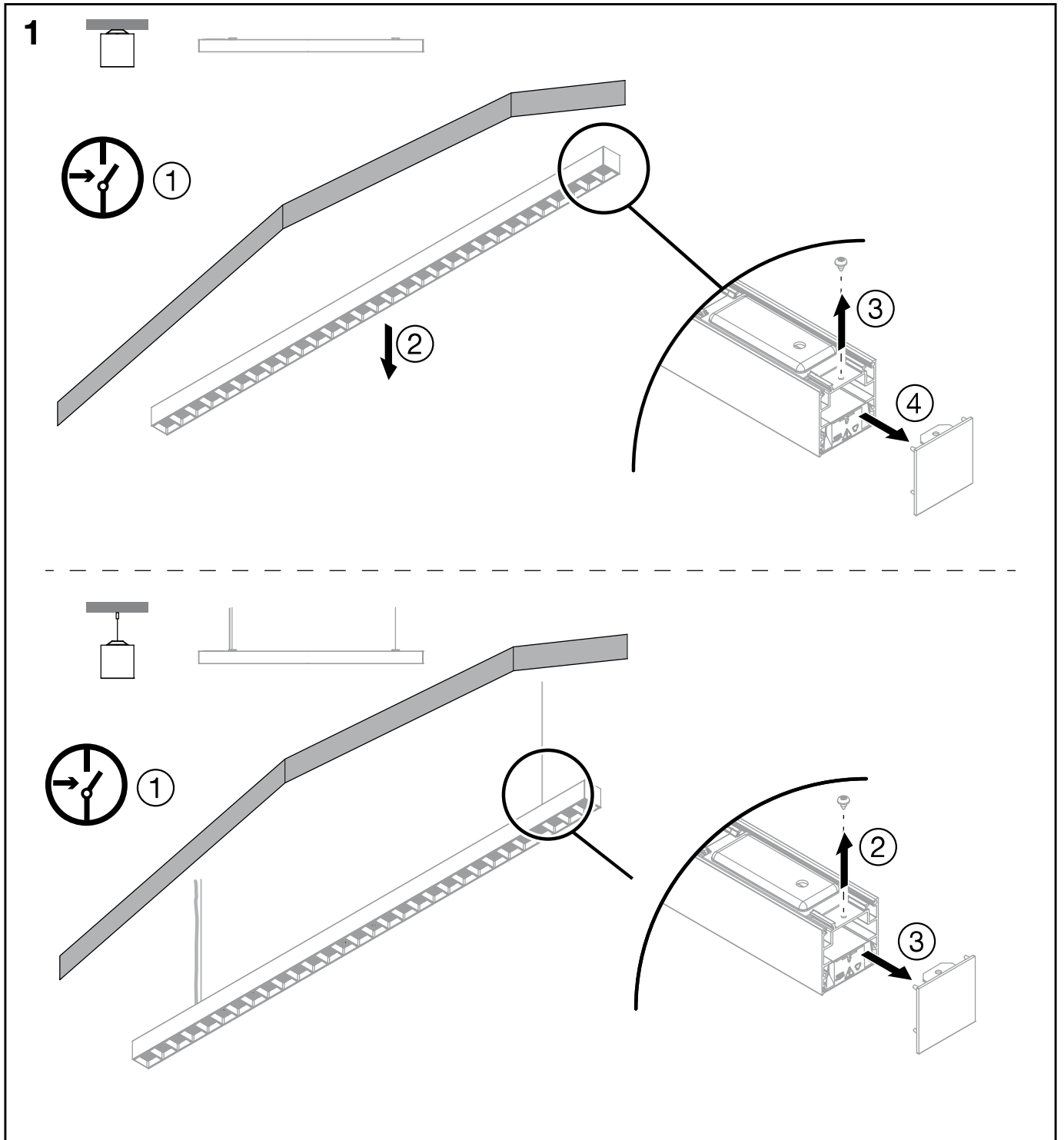
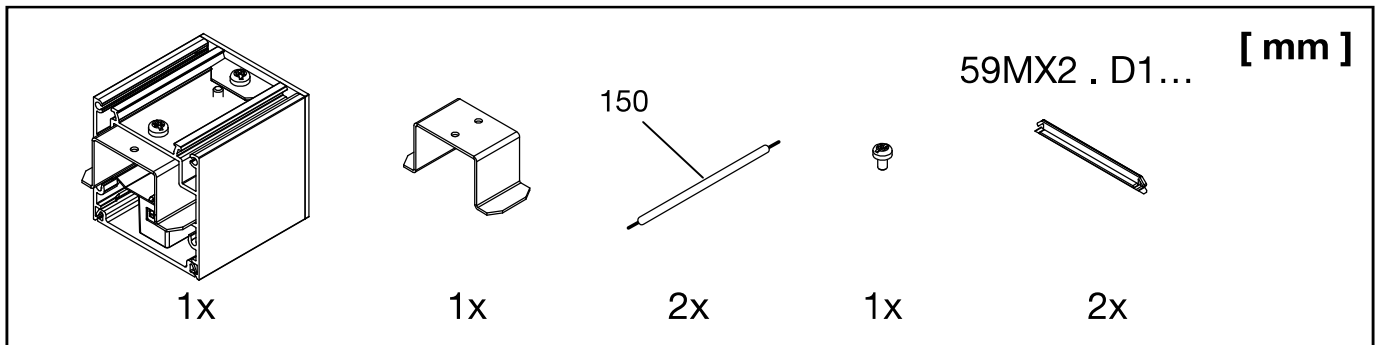
59MX2BD1...

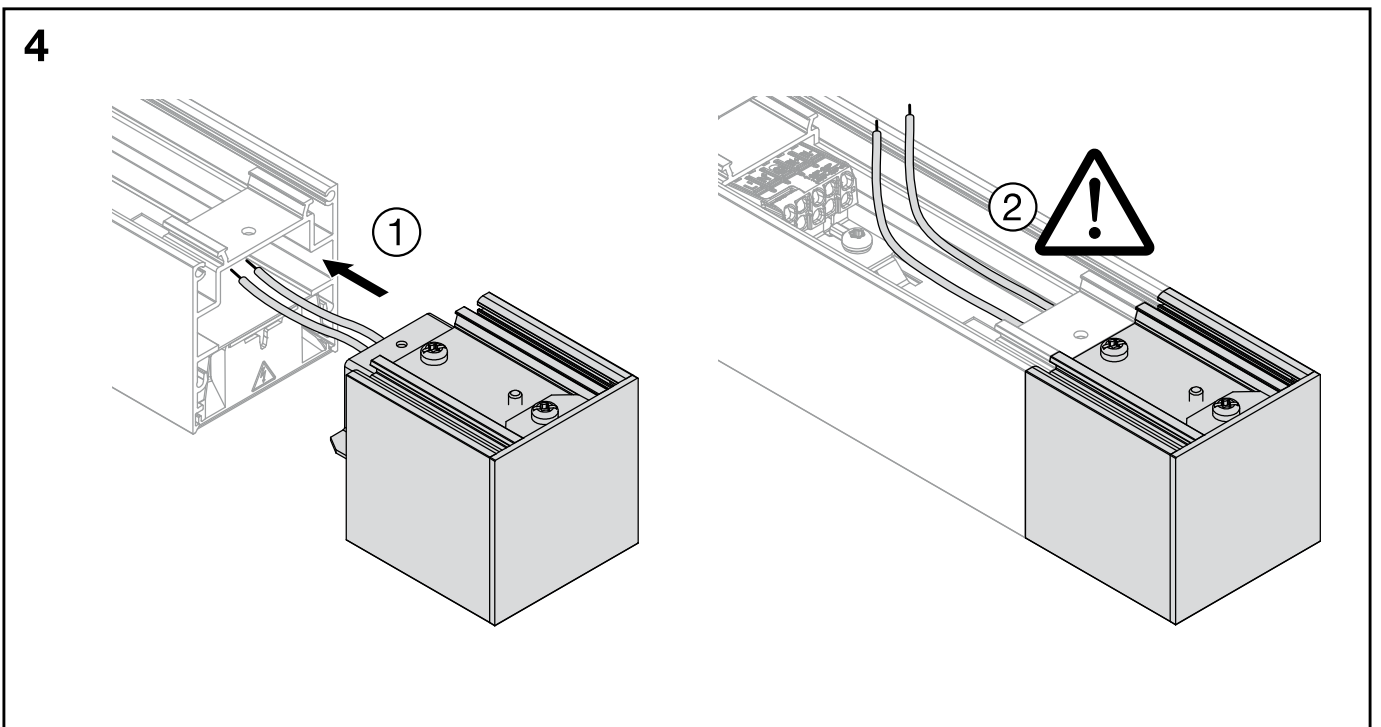
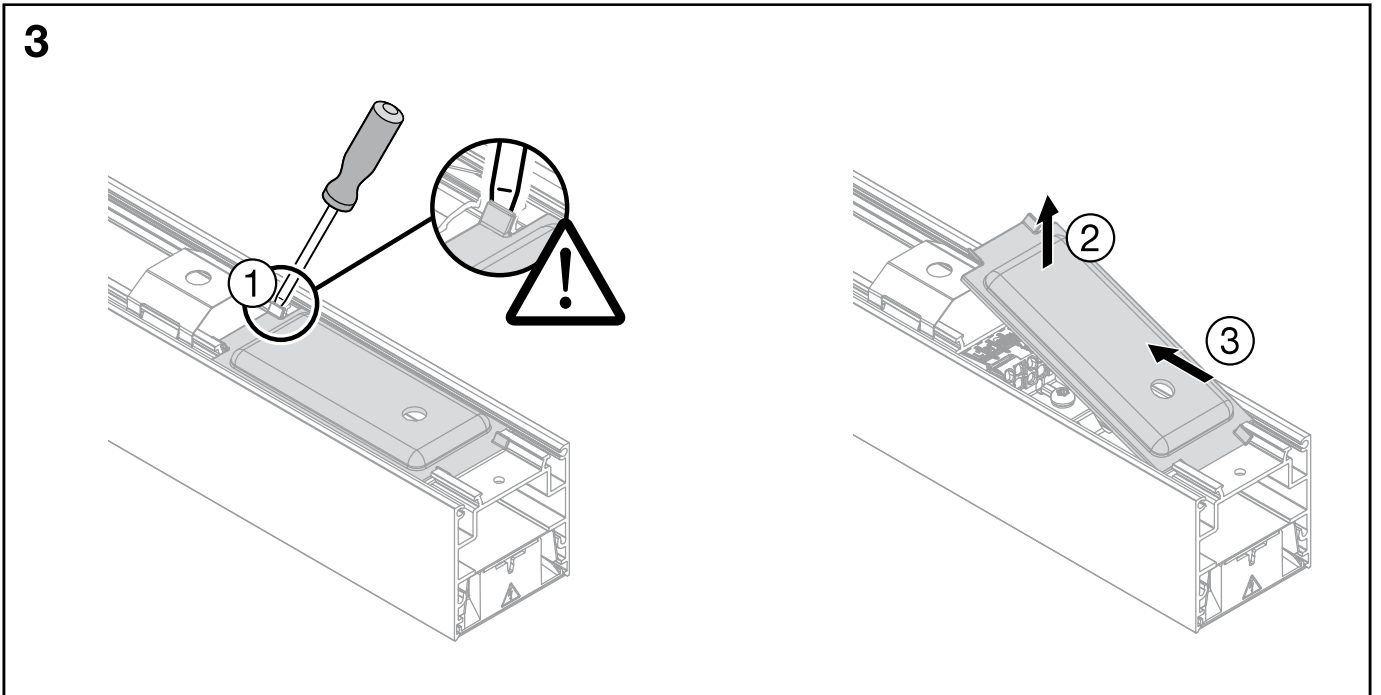
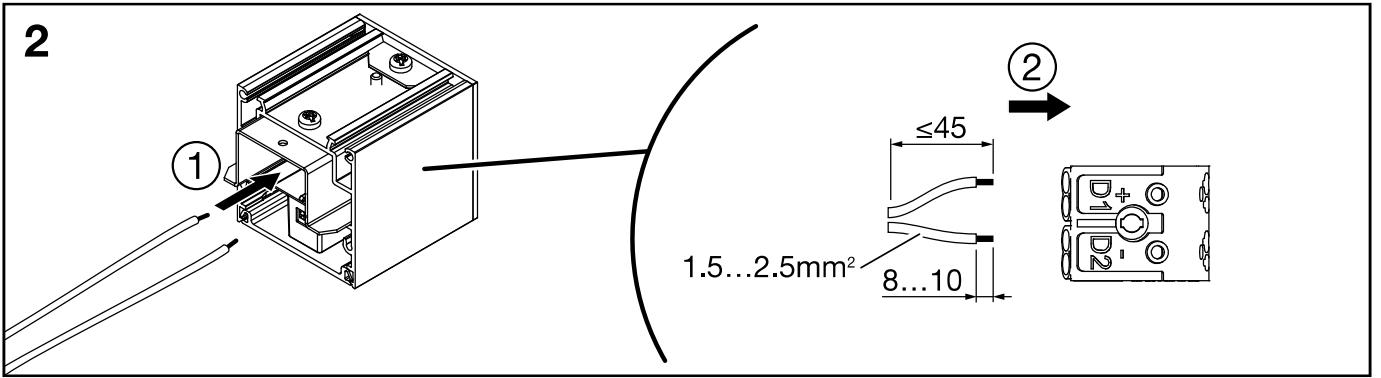
59MX2CD0...

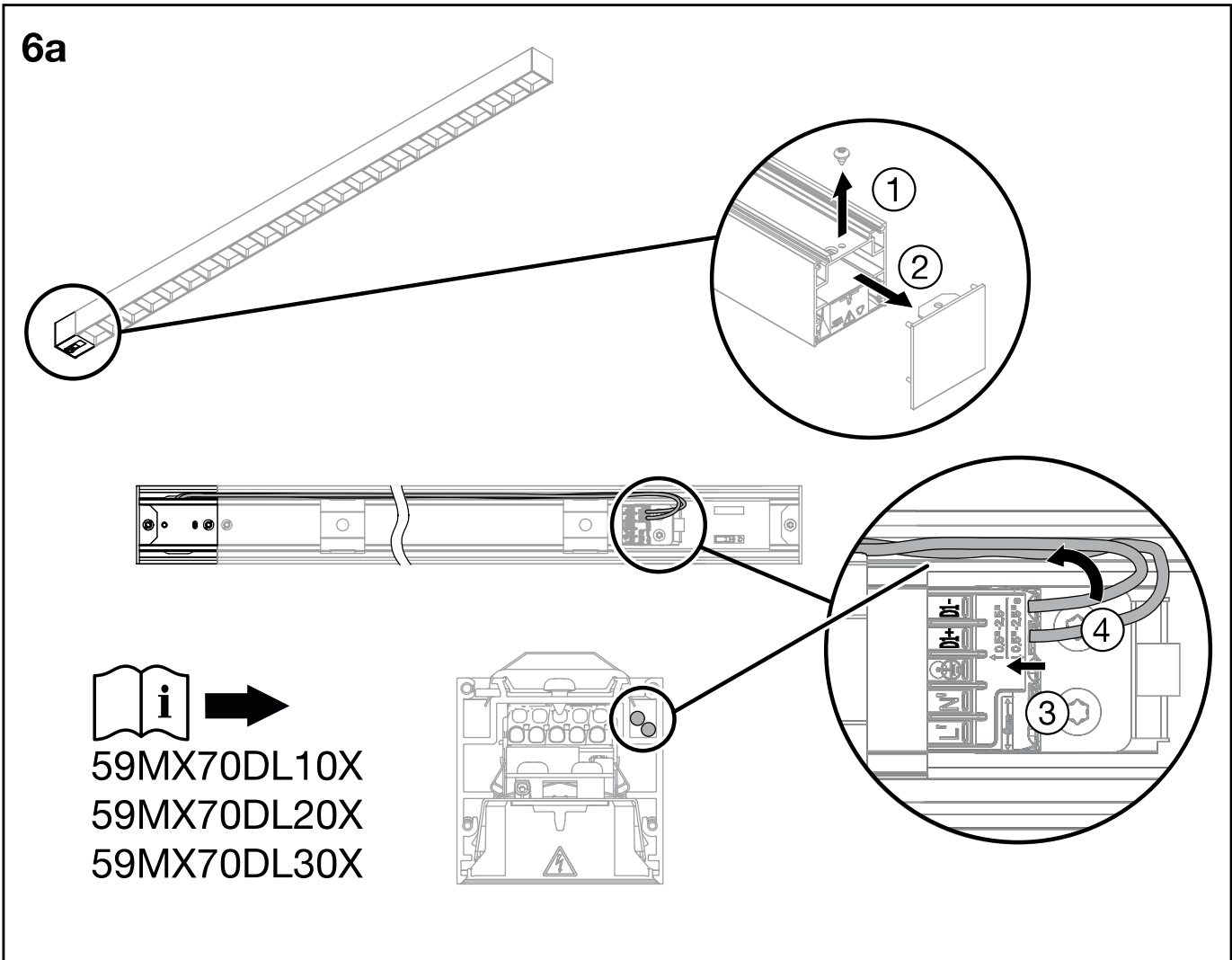
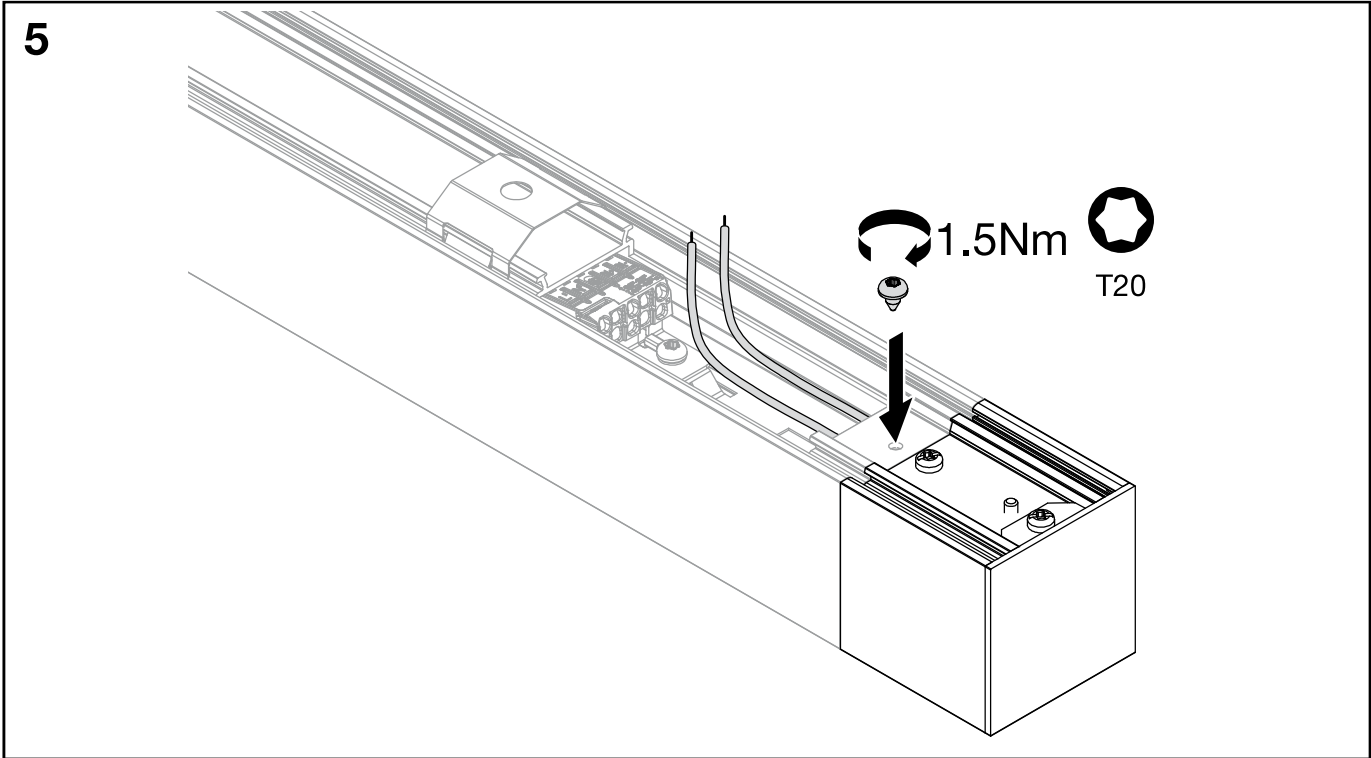
59MX2CD1...

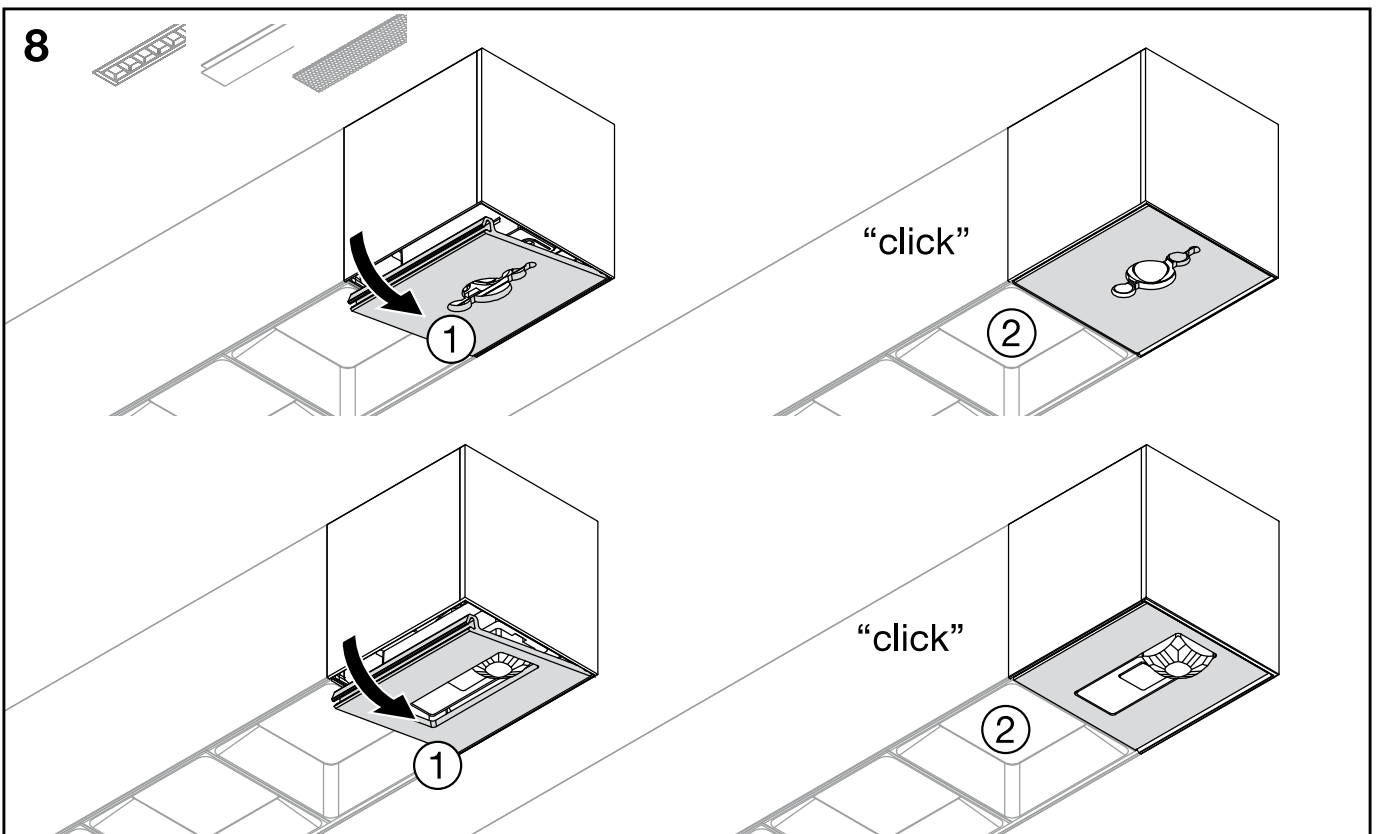
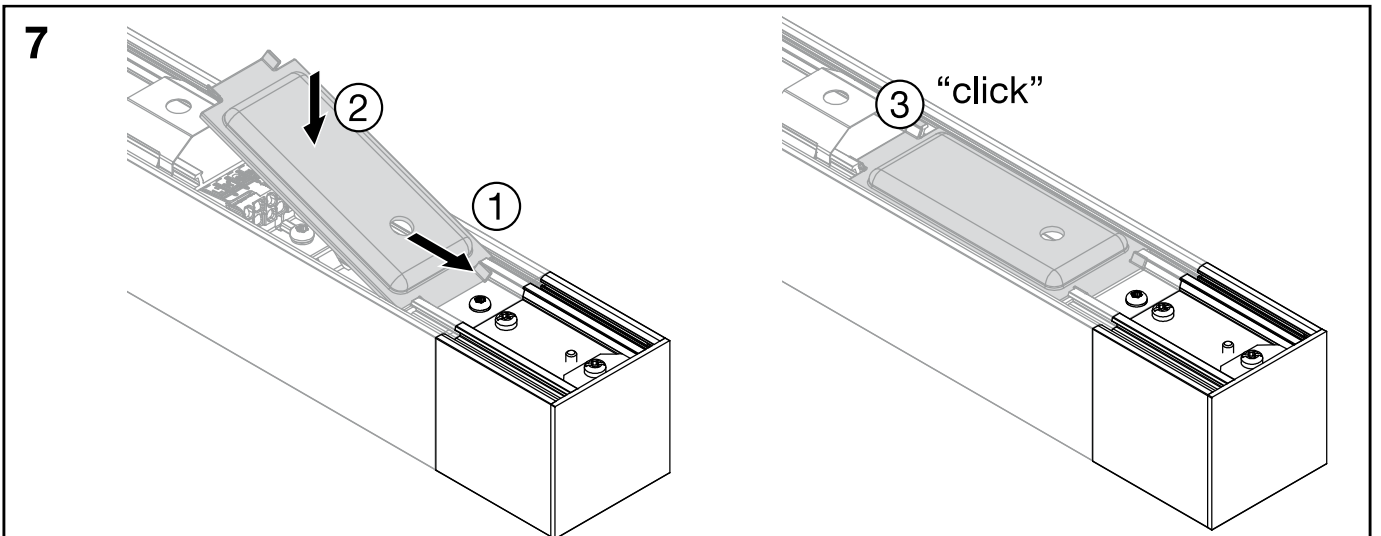
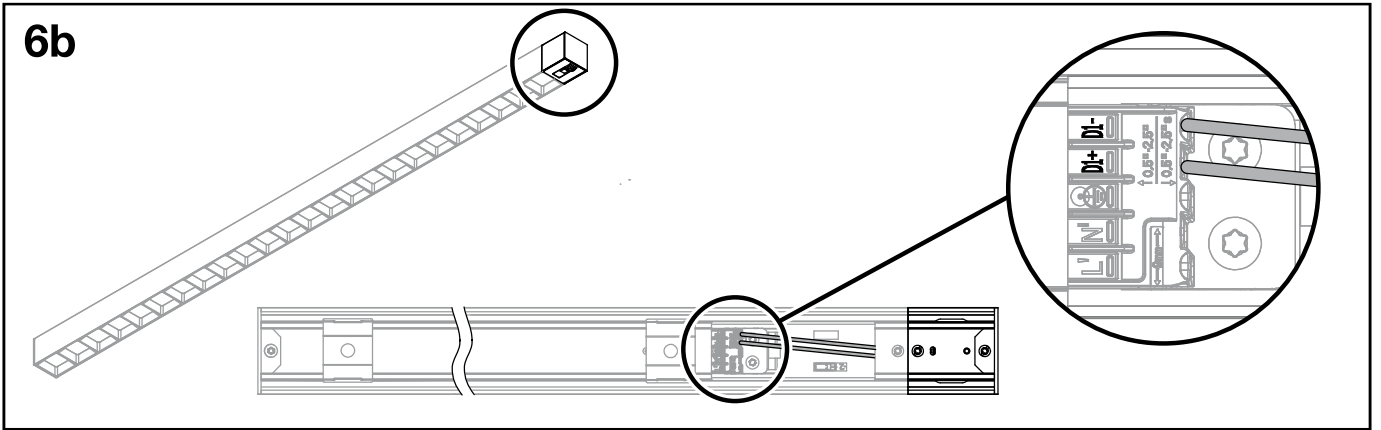


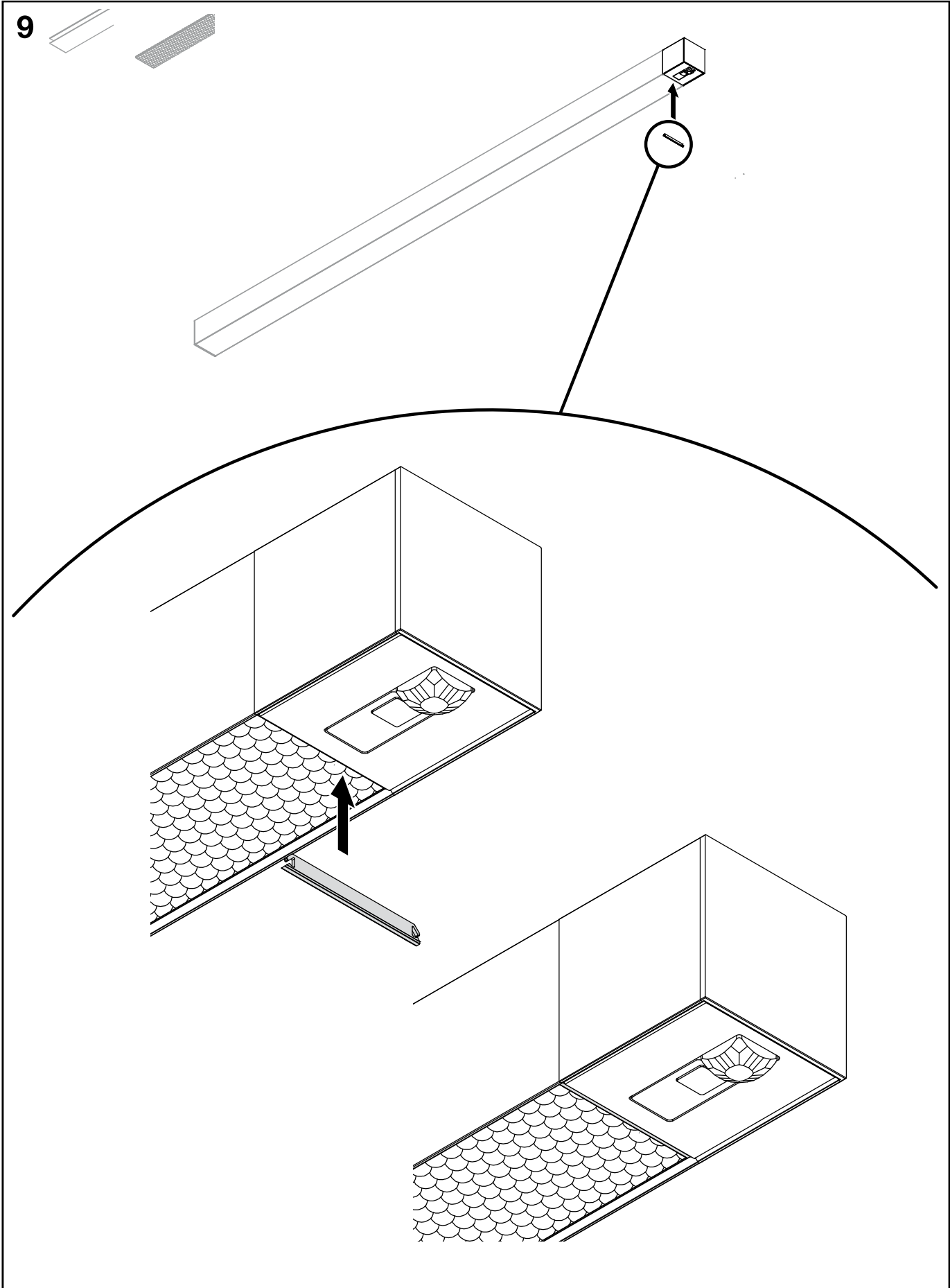
Silica® 21- Sensor

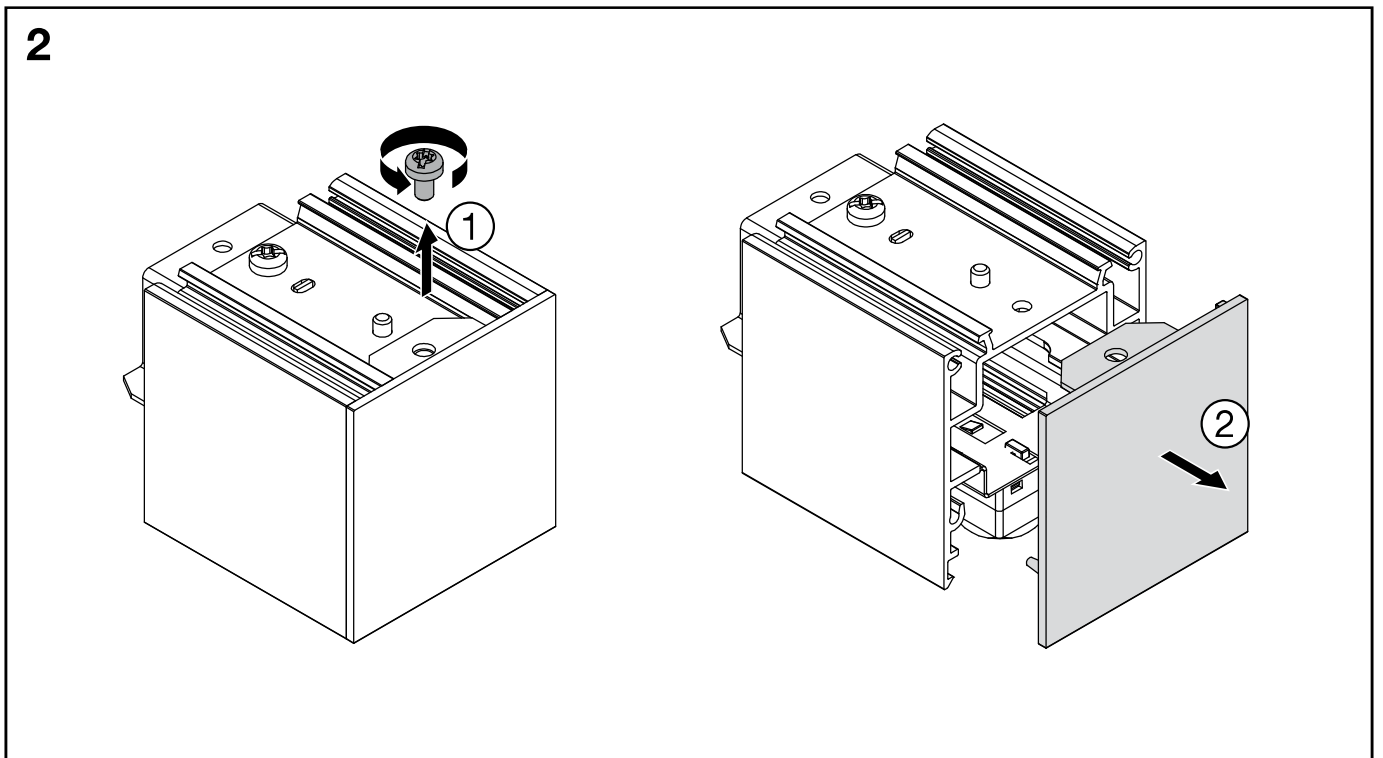
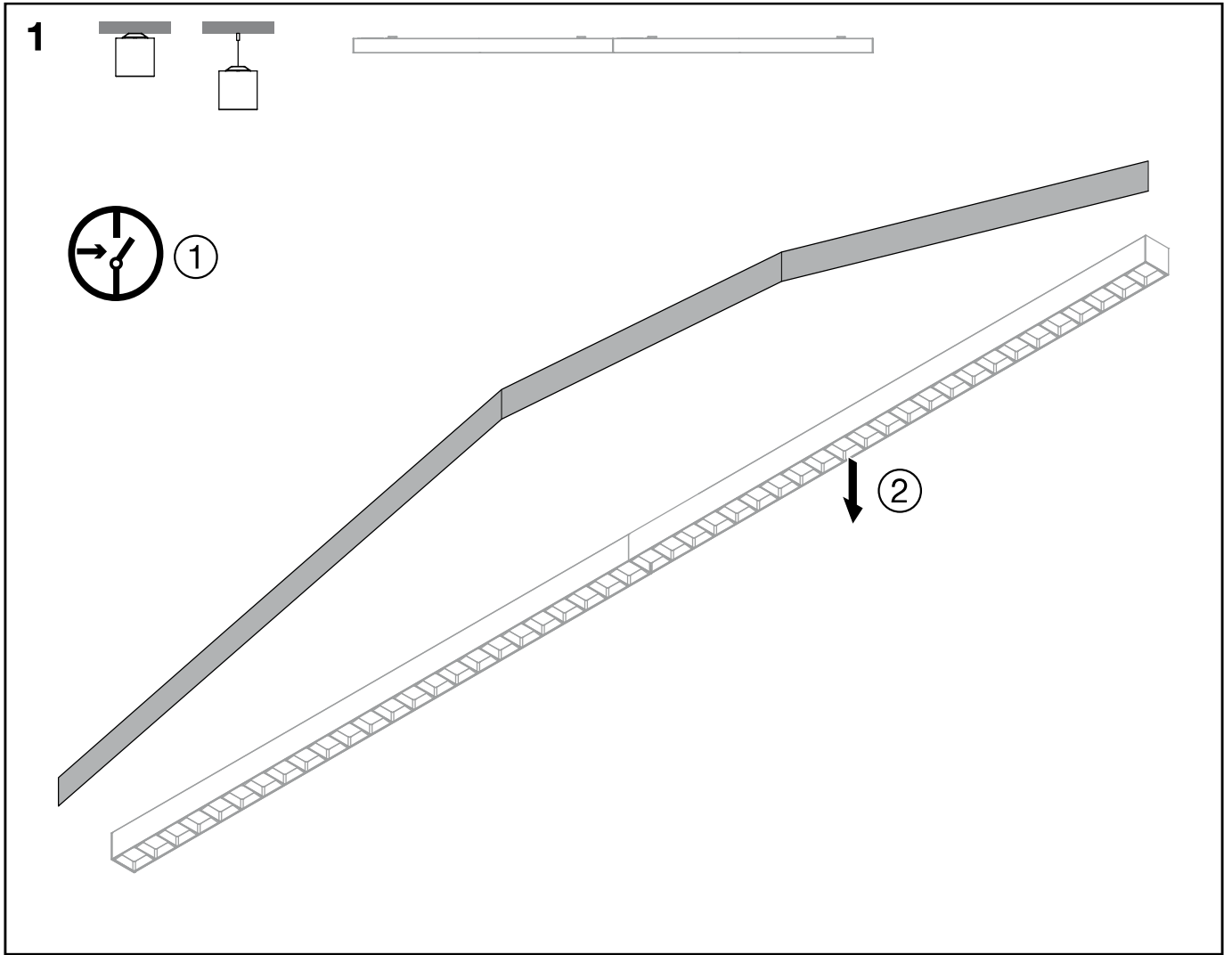


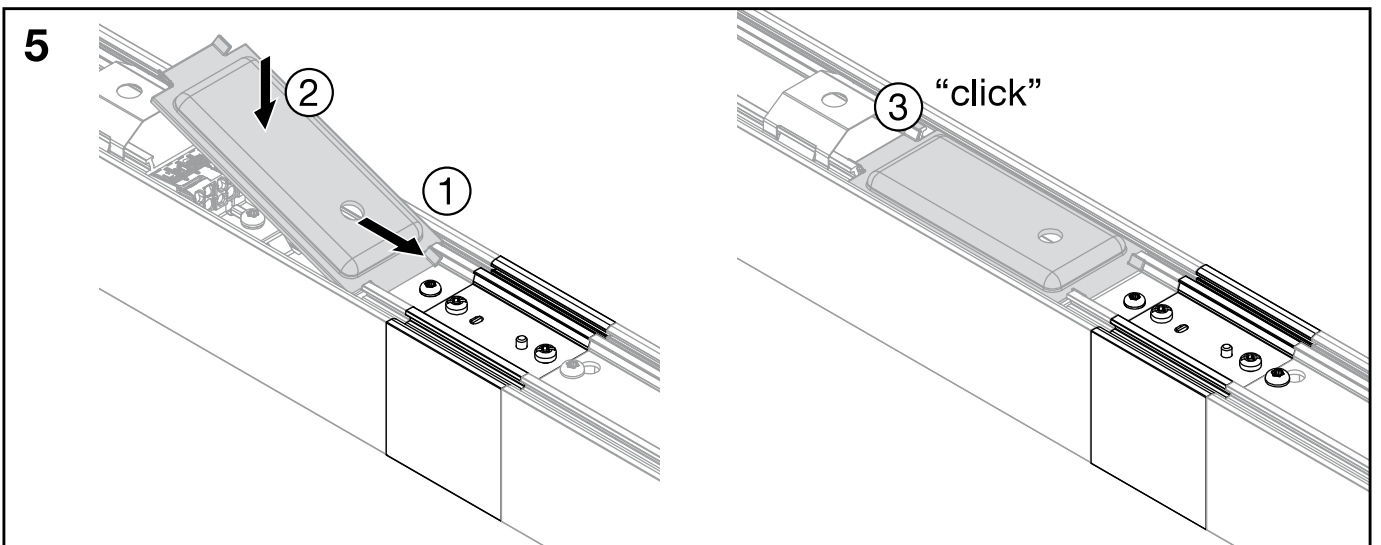
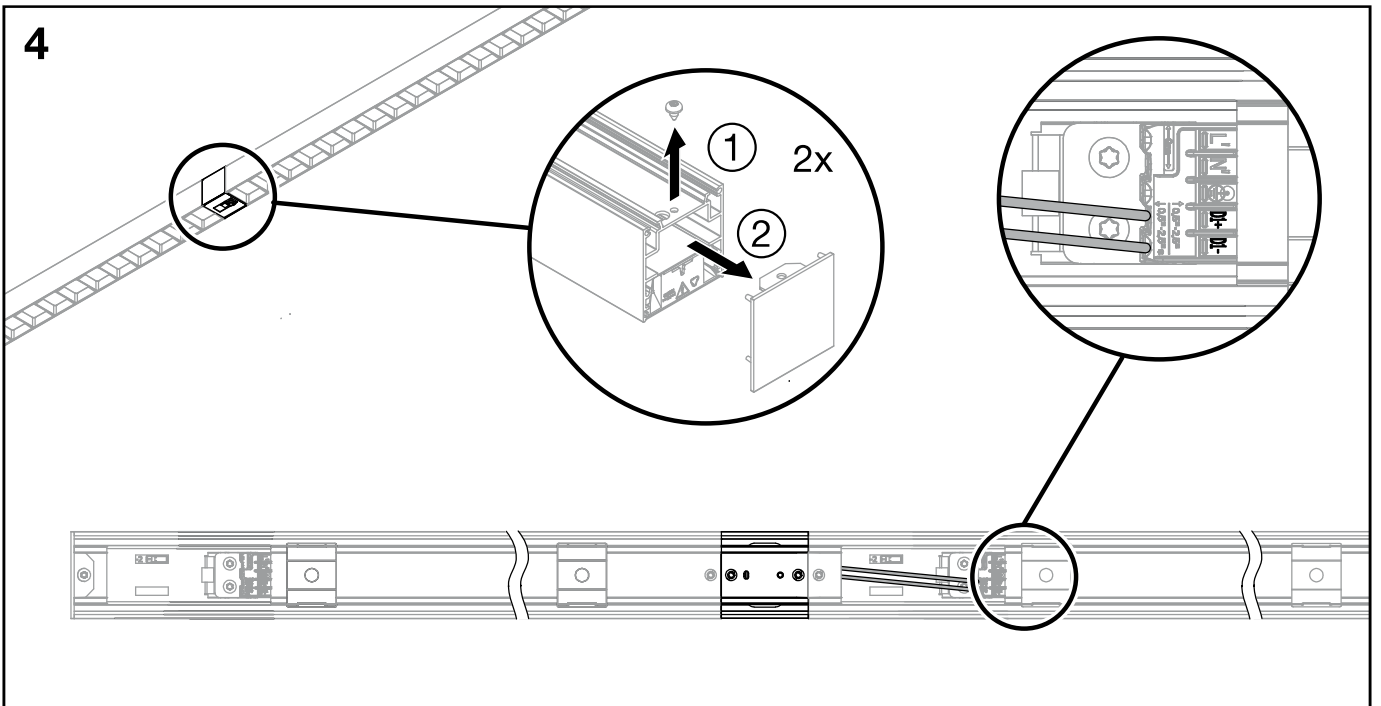
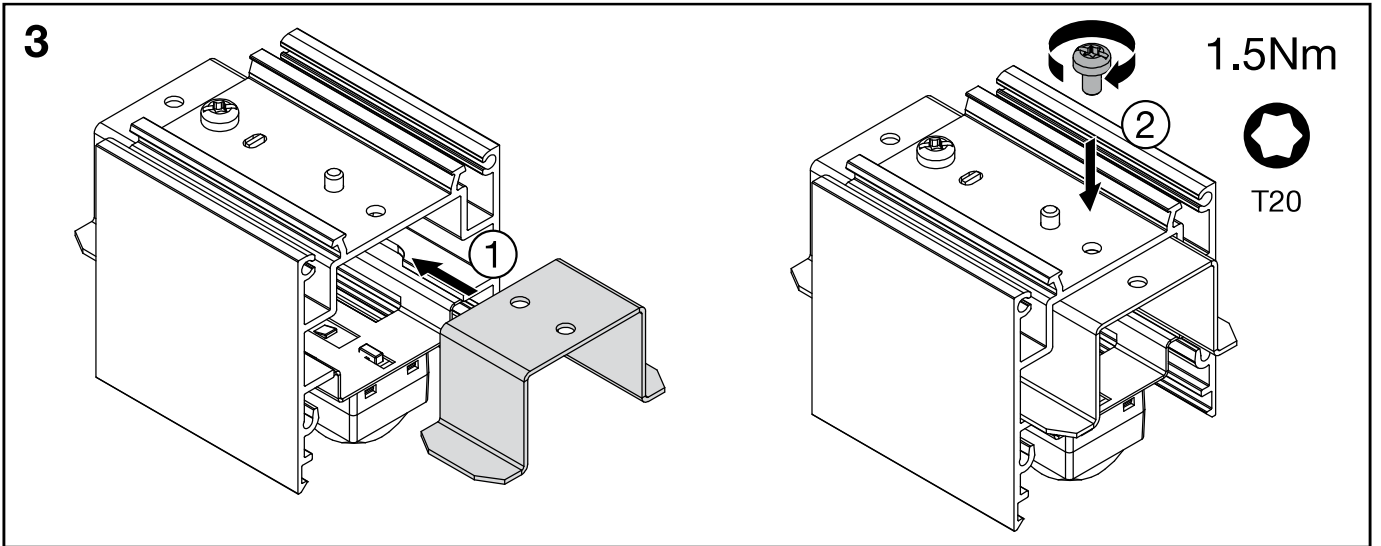


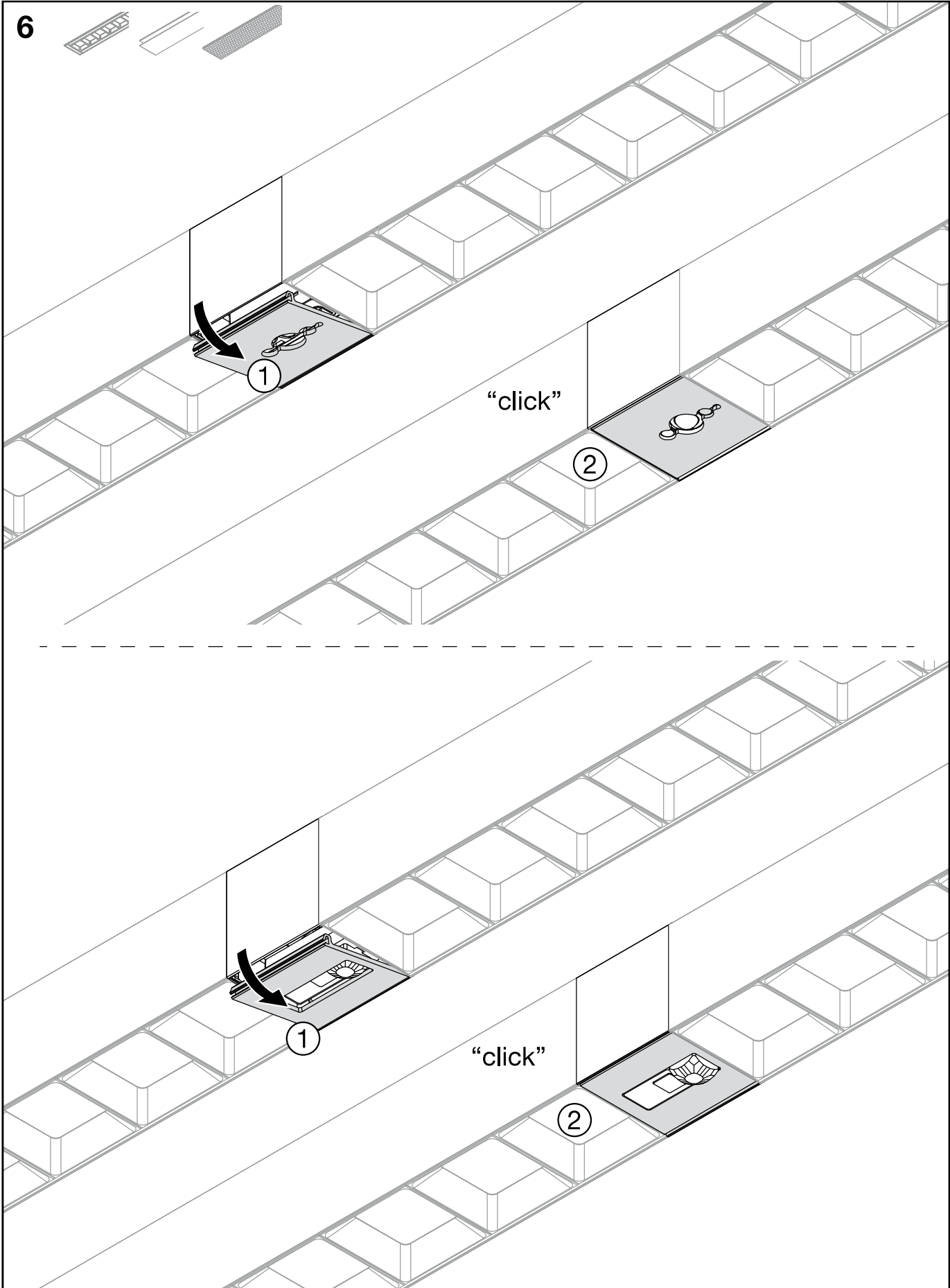


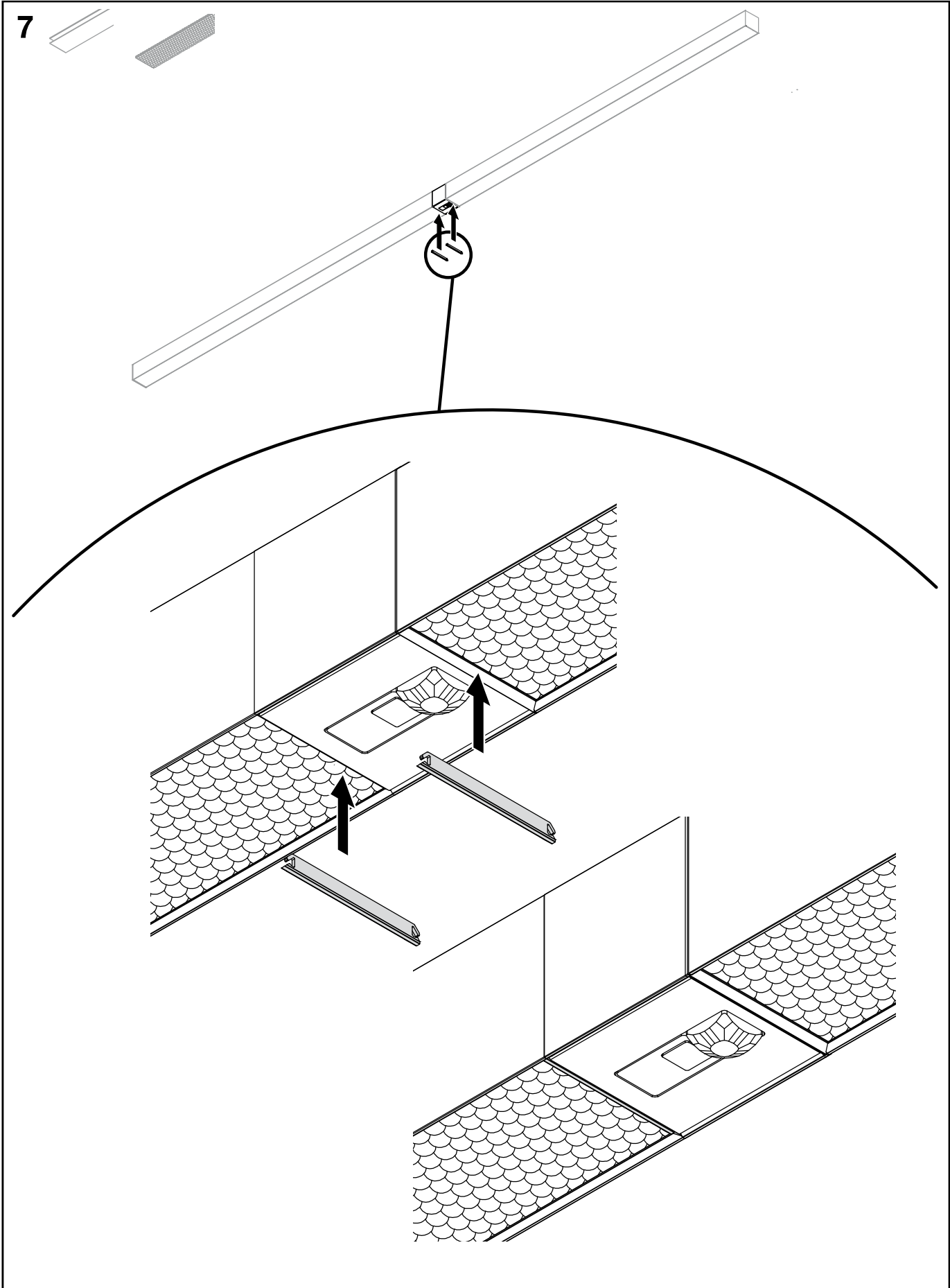




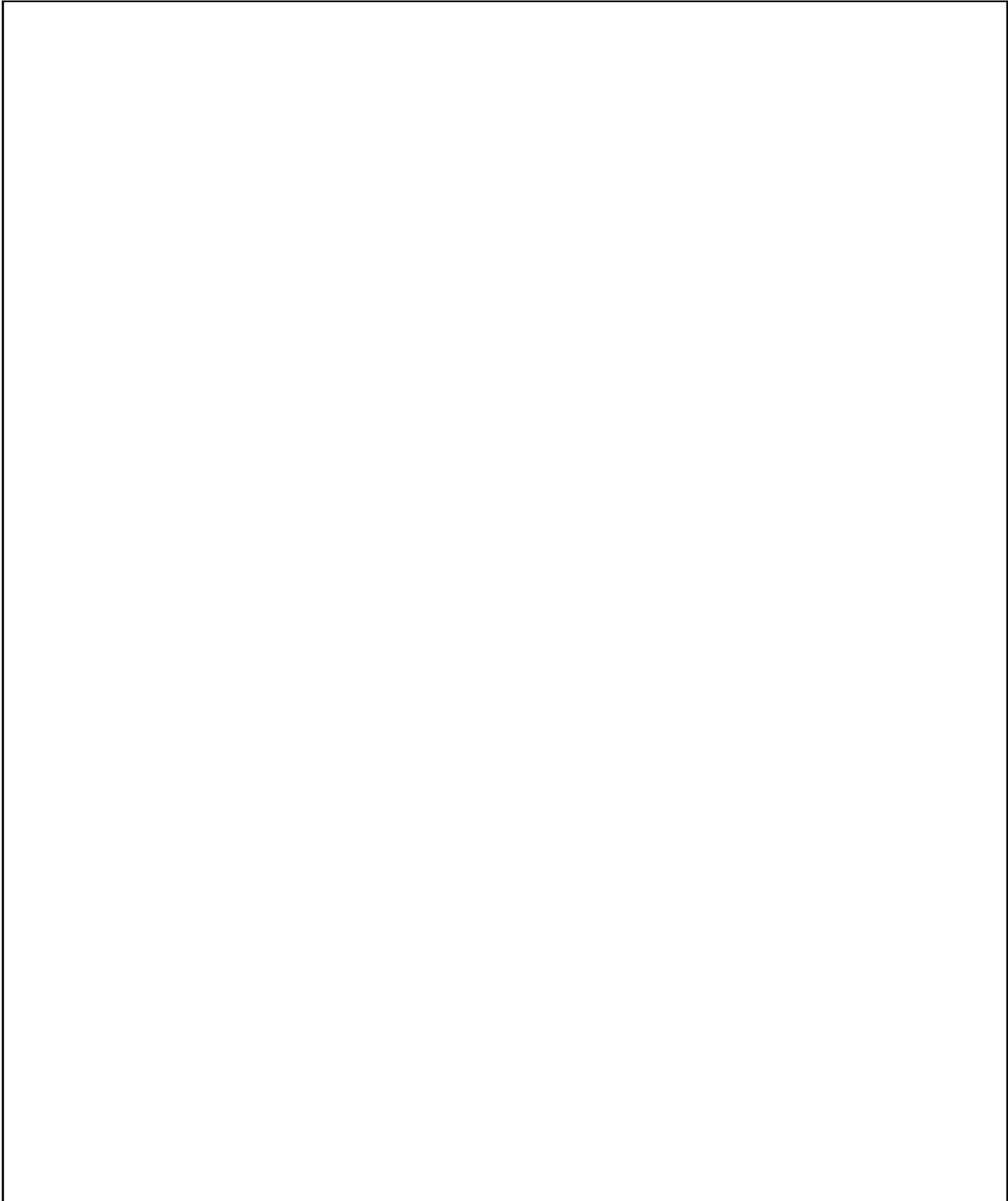


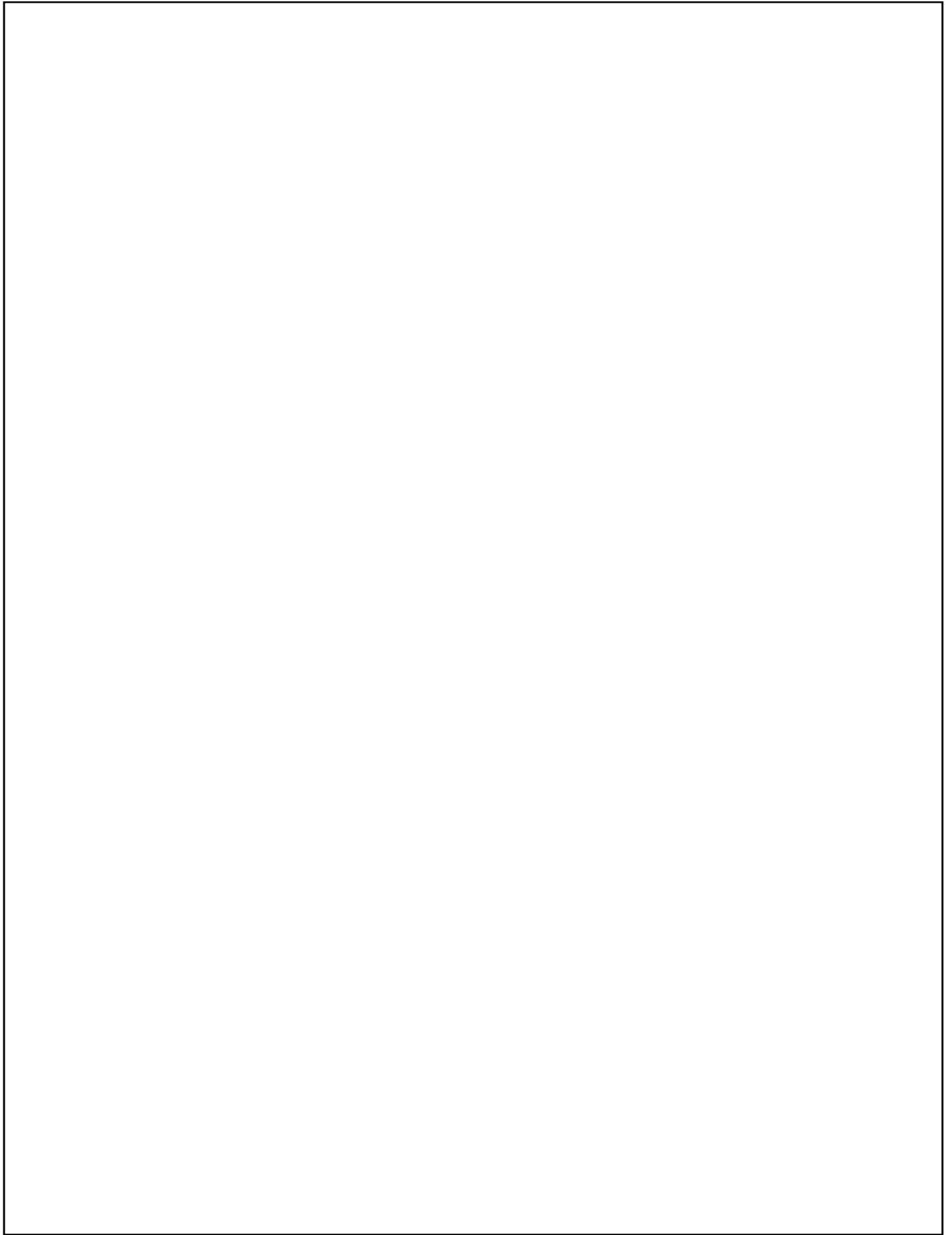






Steinel
5LZ925603 → 





Siteco GmbH
Georg-Simon-Ohm-Straße 50
83301 Traunreut, Germany
mail: technicalsupport@siteco.de
Phone: +49 8669 / 33-844
www.siteco.com



5MA41-263299_ab
06.03.2022 / SCH