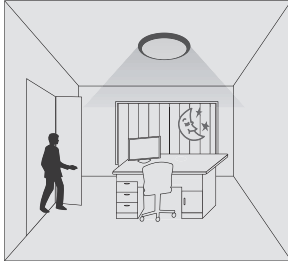
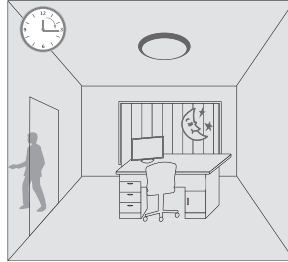


The light keeps off during daytime even when movement is detected. (Ambient lux level is above preset daylight threshold)



With movement and insufficient ambient lux level, the light is triggered on by the detector.



If there is no more movement, the light turns off automatically after hold-time preset.

### 1. Detection Area

Sensitivity can be adjusted by selecting the combination on the DIP switches for different applications.

- I – 100%
- II – 75%
- III – 50%
- IV – 25%

|     | 1 | 2 |      |
|-----|---|---|------|
| I   | ● | ● | 100% |
| II  | ● | ○ | 75%  |
| III | ○ | ● | 50%  |
| IV  | ○ | ○ | 25%  |

### 2. Hold-time

Hold-time refers to the time period that the light remains 100% on if no more movement is detected.

- I – 5s
- II – 30s
- III – 1min
- IV – 3min
- V – 5min
- VI – 10min
- VII – 20min
- VIII – 30min

|      | 3 | 4 | 5 |       |
|------|---|---|---|-------|
| I    | ● | ● | ● | 5s    |
| II   | ● | ● | ○ | 30s   |
| III  | ● | ○ | ● | 1min  |
| IV   | ● | ○ | ○ | 3min  |
| V    | ○ | ● | ● | 5min  |
| VI   | ○ | ● | ○ | 10min |
| VII  | ○ | ○ | ● | 20min |
| VIII | ○ | ○ | ○ | 30min |

### 3. Daylight threshold

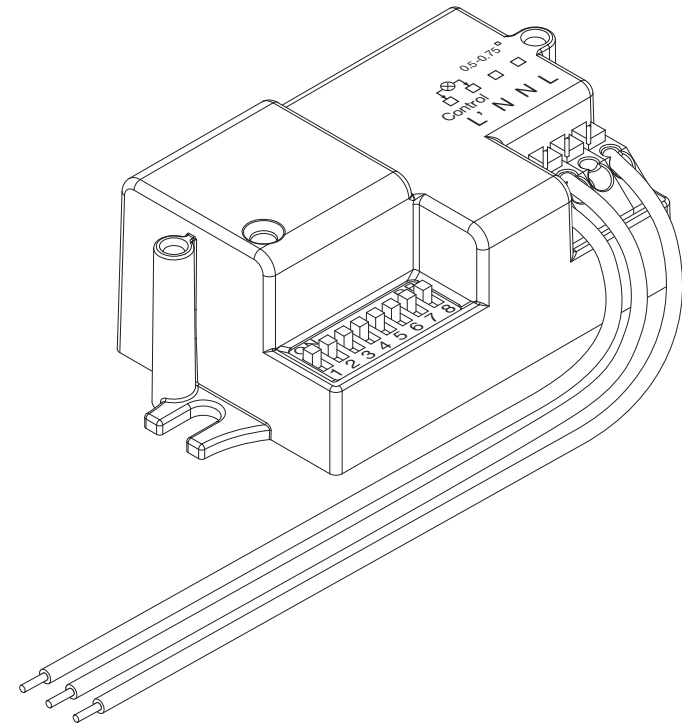
Different daylight threshold can be preset on DIP switches. Light will always turn on upon movement if daylight sensor is disabled.

- I – 2Lux
- II – 10Lux
- III – 25Lux
- IV – 50Lux
- V – Disable

|     | 6 | 7 | 8 |         |
|-----|---|---|---|---------|
| I   | ● | ● | ● | 2Lux    |
| II  | ● | ● | ○ | 10Lux   |
| III | ○ | ● | ○ | 25Lux   |
| IV  | ● | ○ | ○ | 50Lux   |
| V   | ○ | ○ | ○ | Disable |

# Silhouette31

## 59LN201

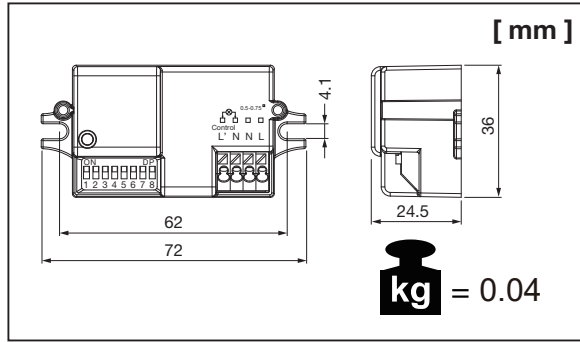
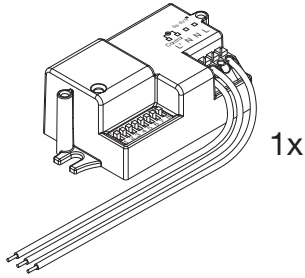


5MA69-267452\_aa  
29.01.2024 / REC(GME)

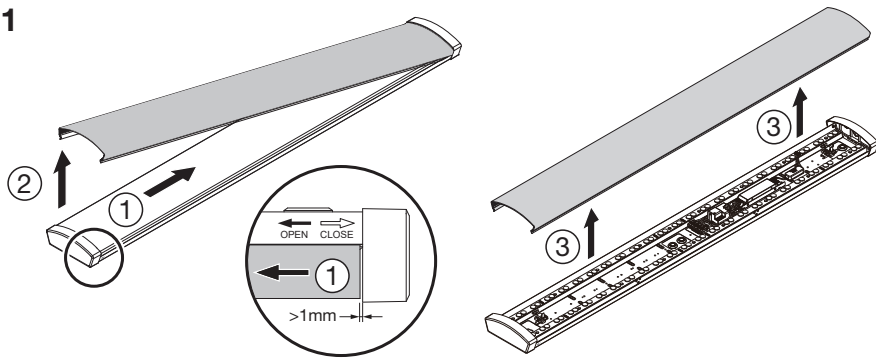
Siteco GmbH  
Georg-Simon-Ohm-Straße 50  
83301 Traunreut, Germany  
mail: technicalsupport@siteco.de  
Phone: +49 8669 / 33-844  
[www.siteco.com](http://www.siteco.com)

# siteco

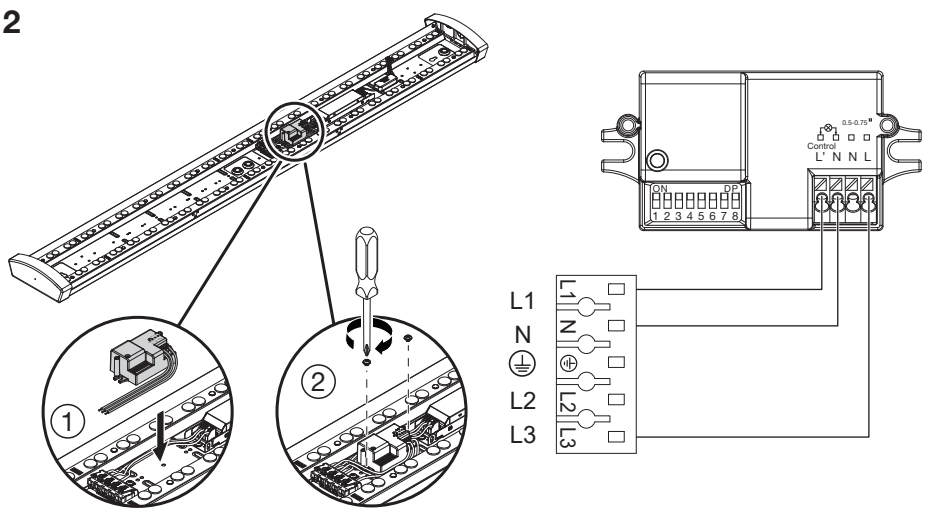
59LN201



1



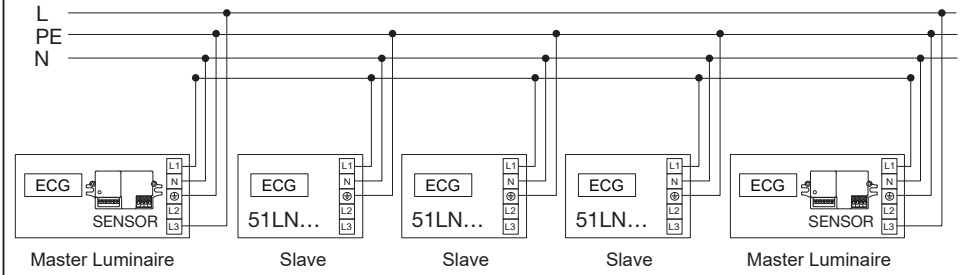
2



siteco

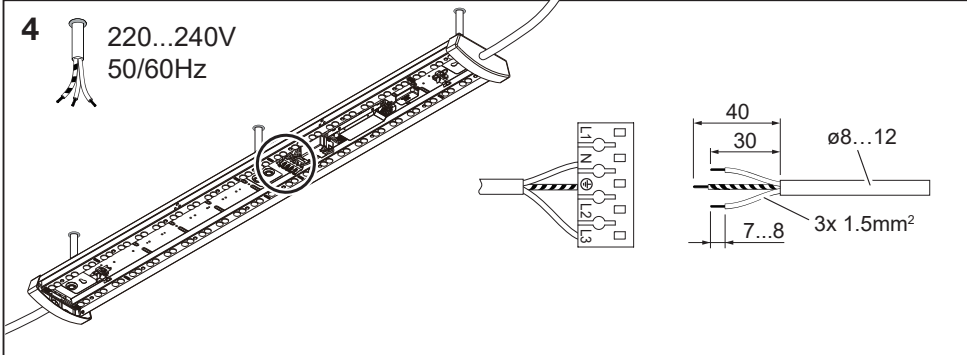
3

A maximum of 5 pcs of slave luminaires can be connected to 2 pcs of Master luminaires.

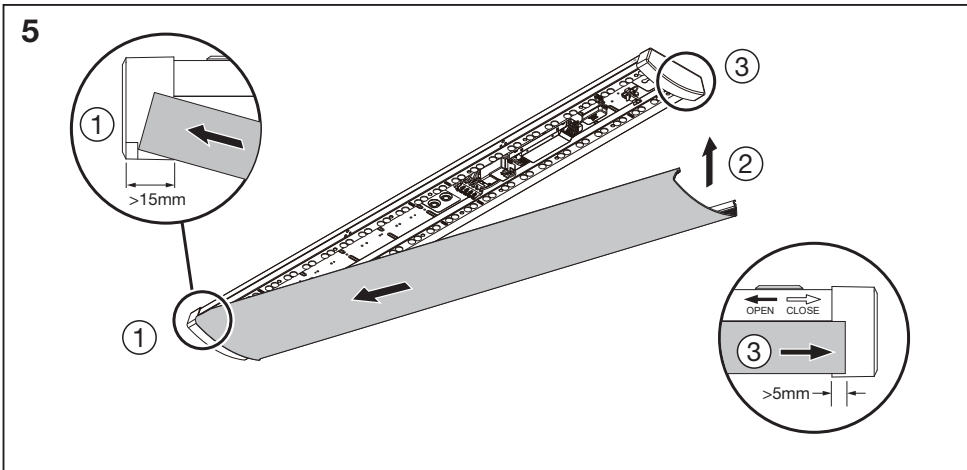


The Master luminaire is connected to slave via a 4 core cable Slave luminaires with 3 core cable.

4



5



siteco