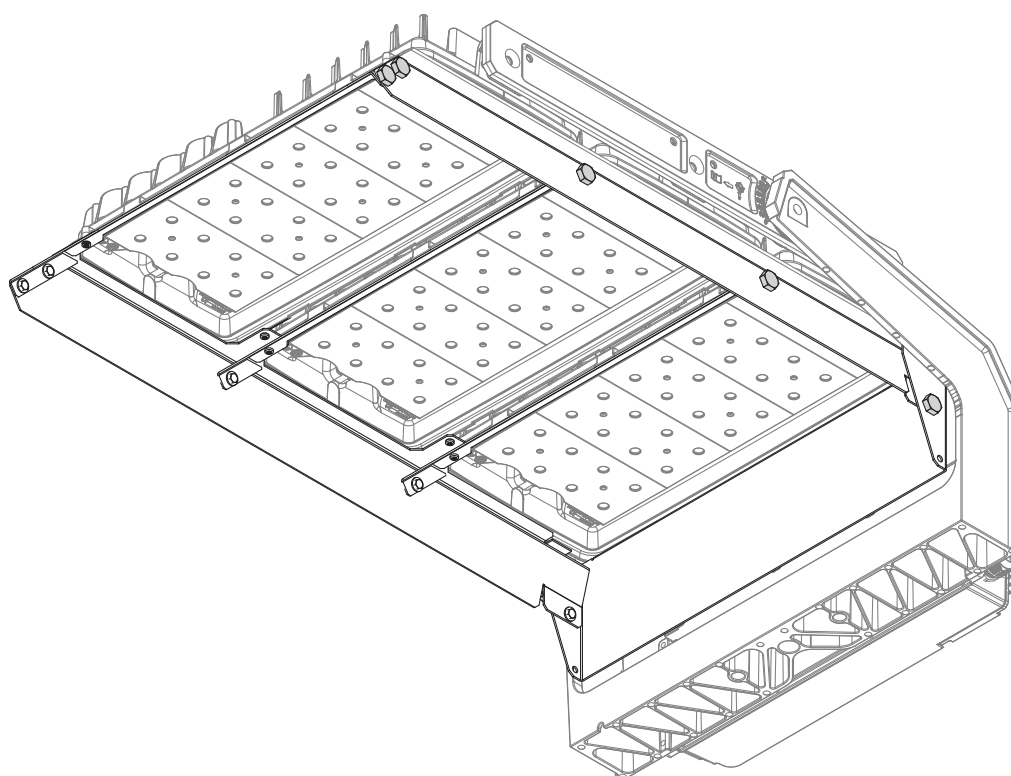


Floodlight 11

Blende
Shield

5XA779FS...

5XA779FB...



siteco

5XA779FBSUS54359
5XA779FS3

2x 10x 6x 12x 6x

1x 1x 1x 1x

kg = 2.2

5XA779FS1
5XA779FS2

2x 6x 6x 12x 6x

1x 1x 1x 1x

kg = 1.8 **kg** = 1.3

5XA779FBSUS54358
5XA779FBS

2x

1x

kg = 0.8

5XA779FS3K
5XA779FBSUS54376

6x 6x 10x 20x 10x

1x 1x 2x 1x 1x

kg = 2.6

5XA779FS2K

4x 4x 8x 16x 8x

1x 1x 1x 1x 1x

kg = 2.0

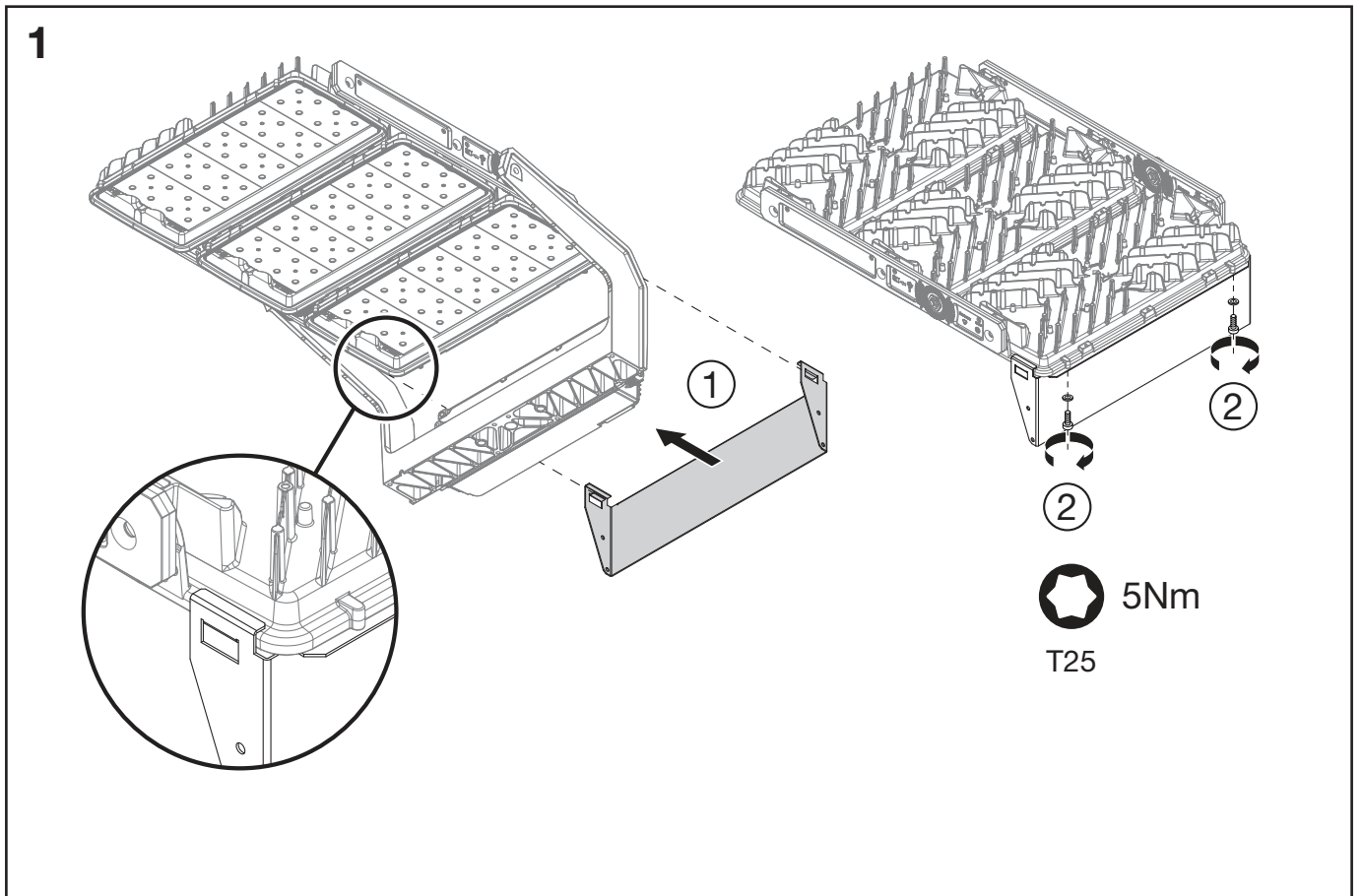
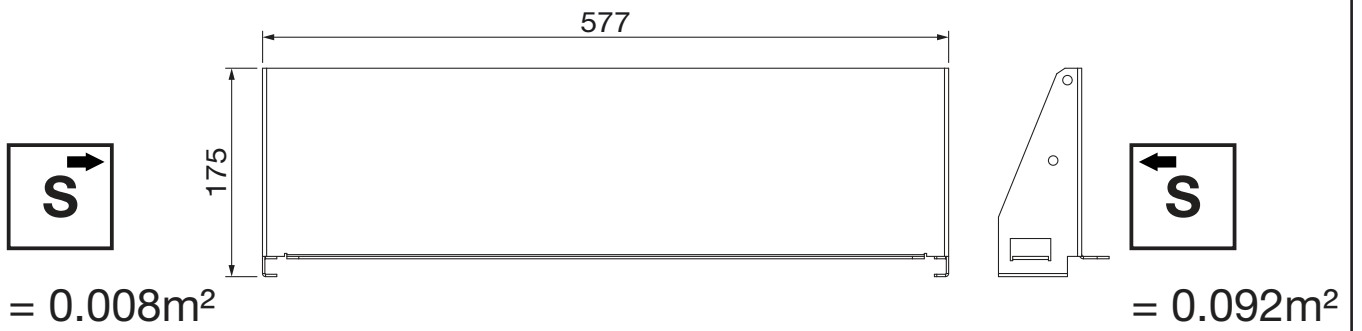
5XA779FS . [mm]

S = 0.092m²

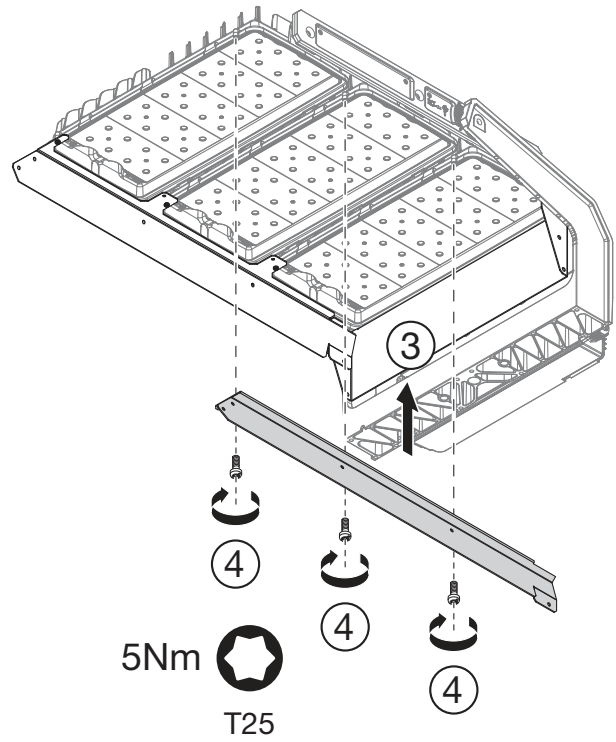
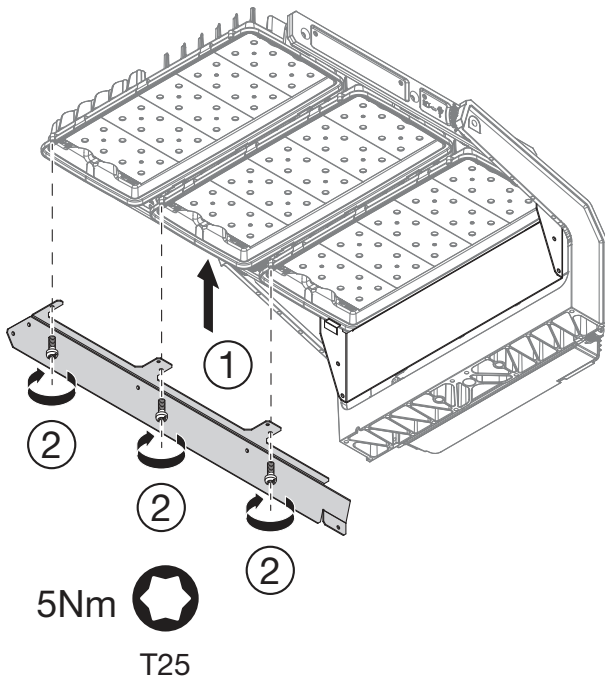
	x	L
5XA779FS1	0.032	350
5XA779FS2	0.055	640
5XA779FS3	0.082	930

S = x m²

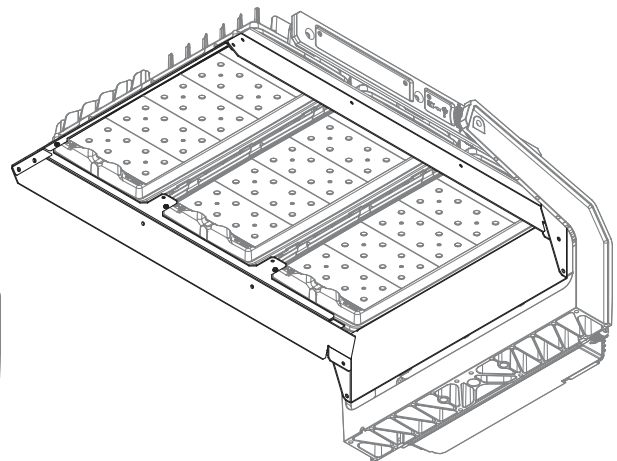
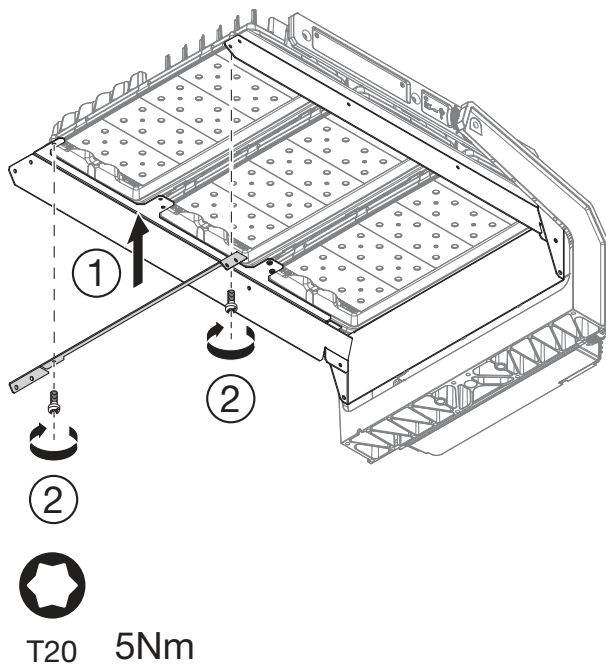
5XA779FBSUS5...
5XA779FBS...



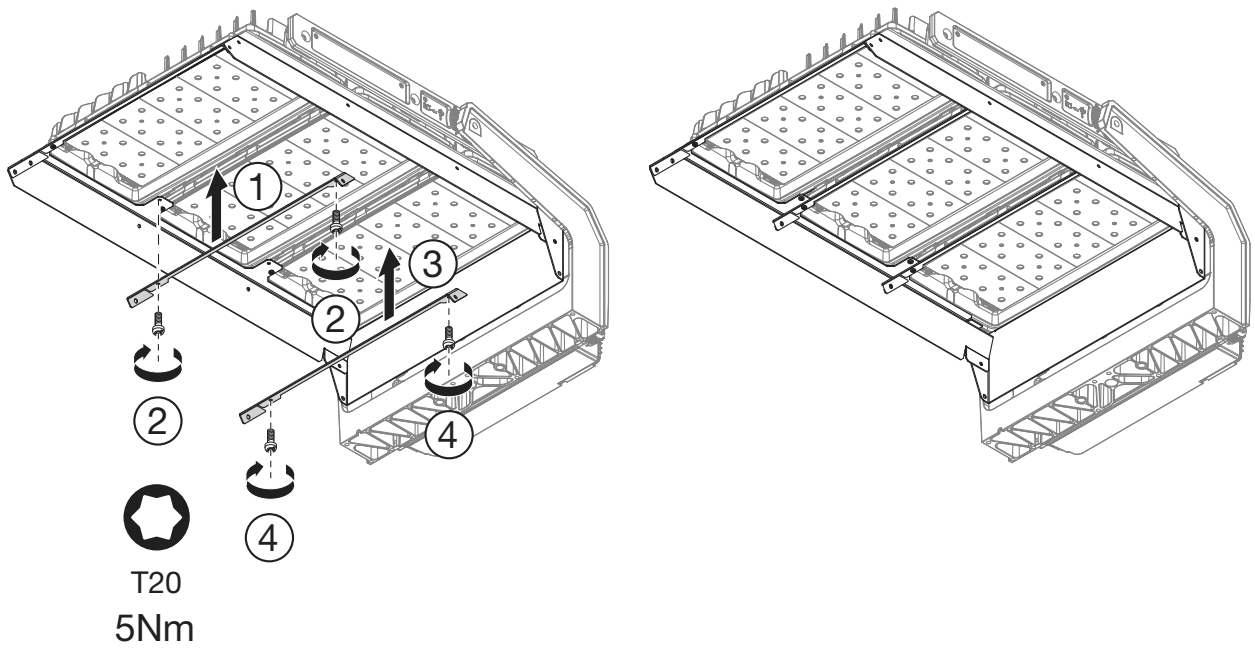
2



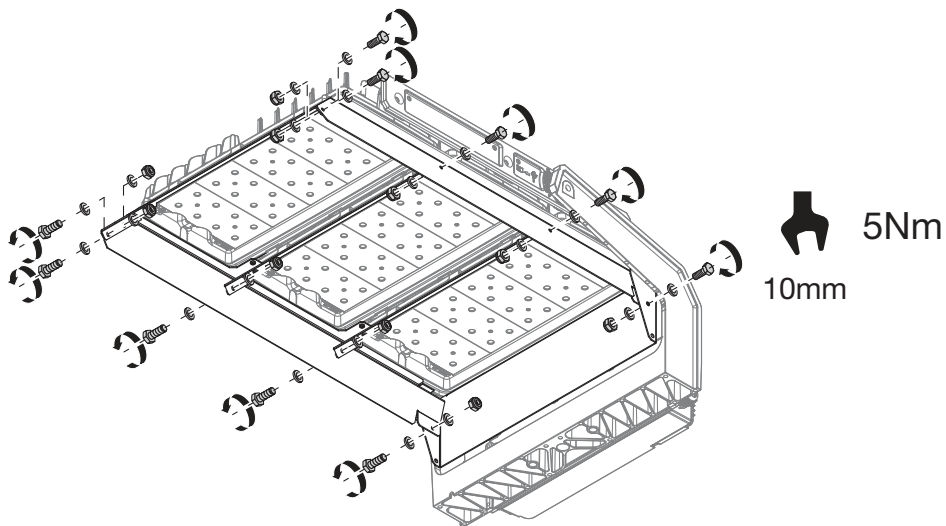
3



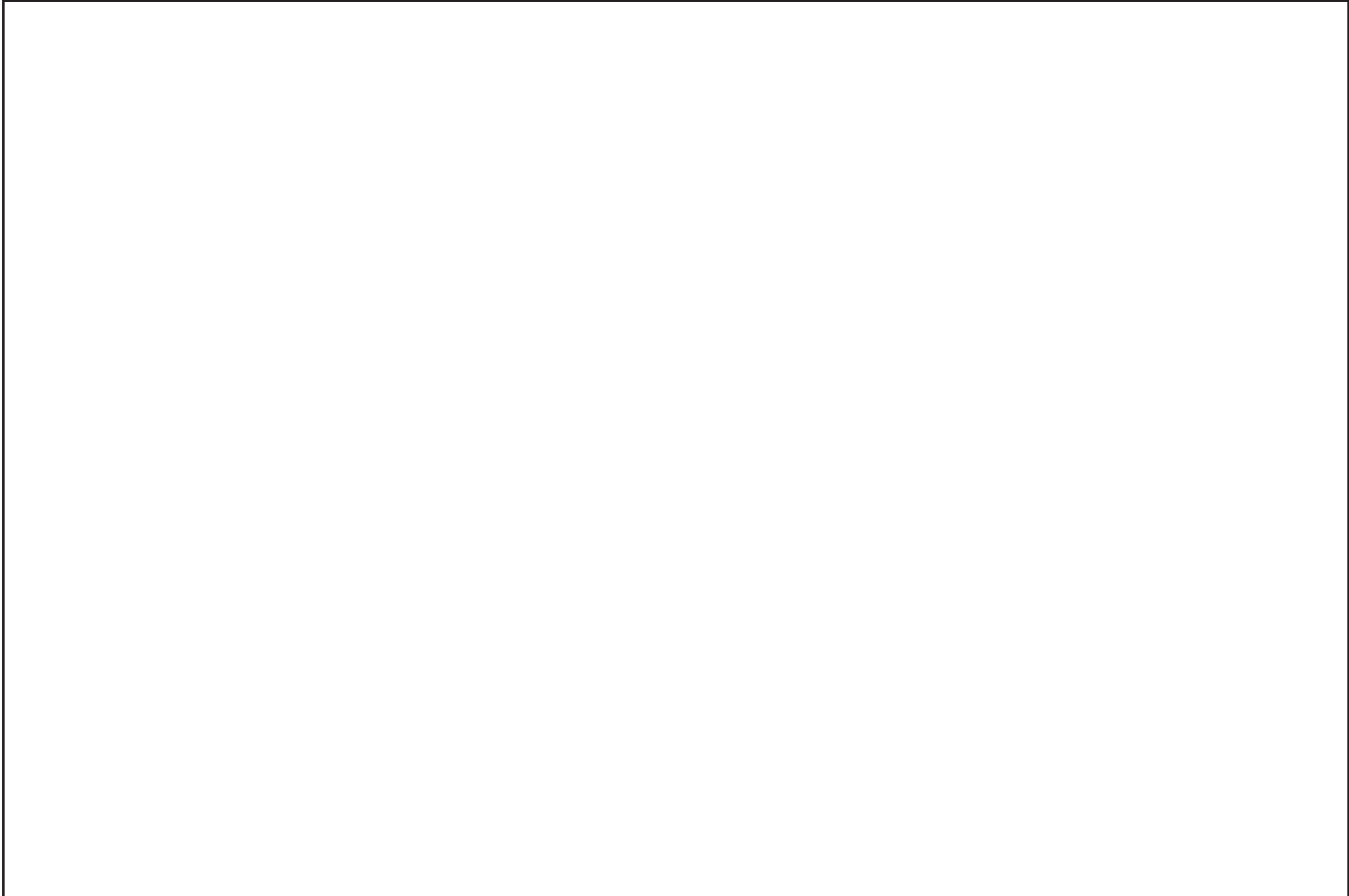
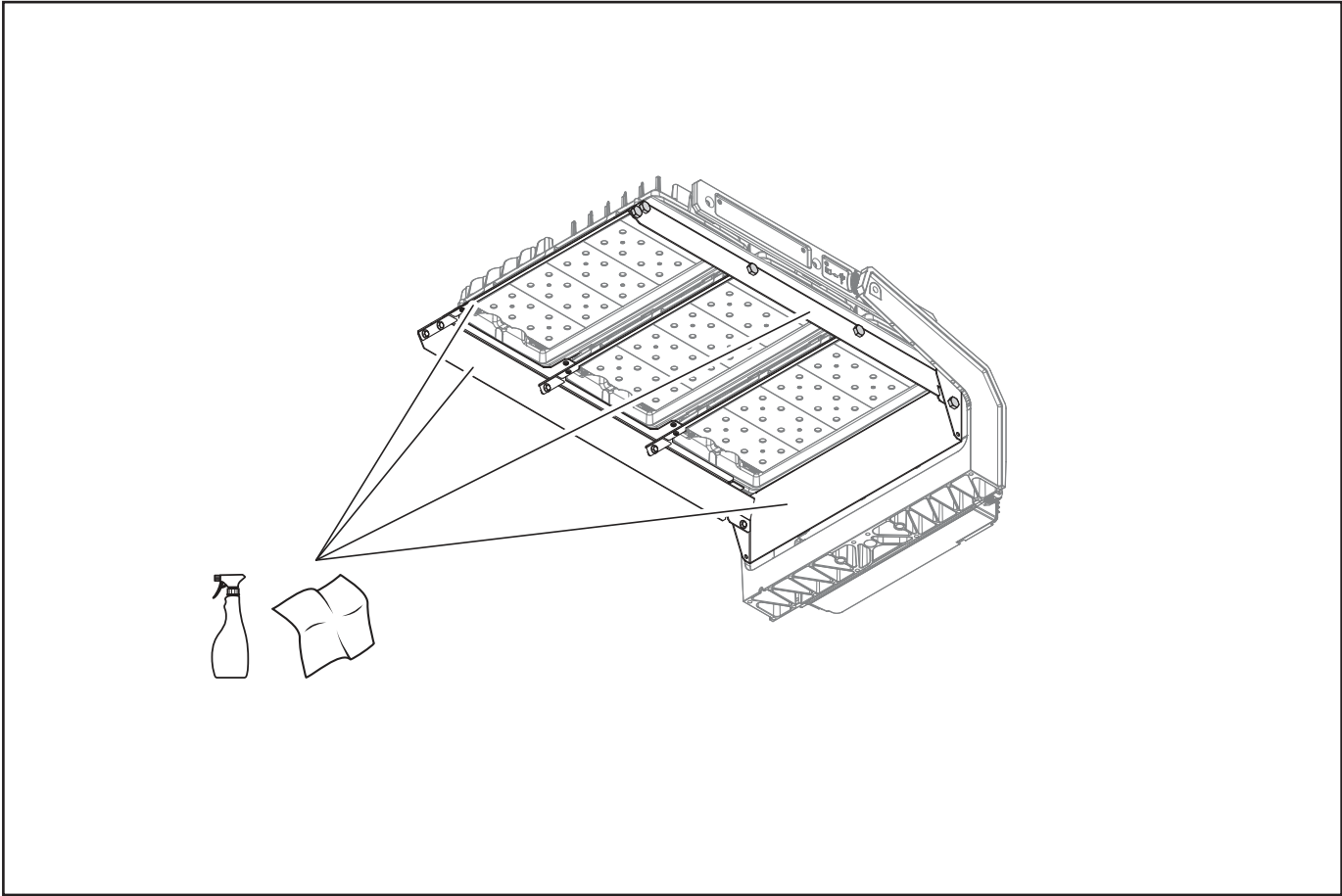
4 5XA779FS . K

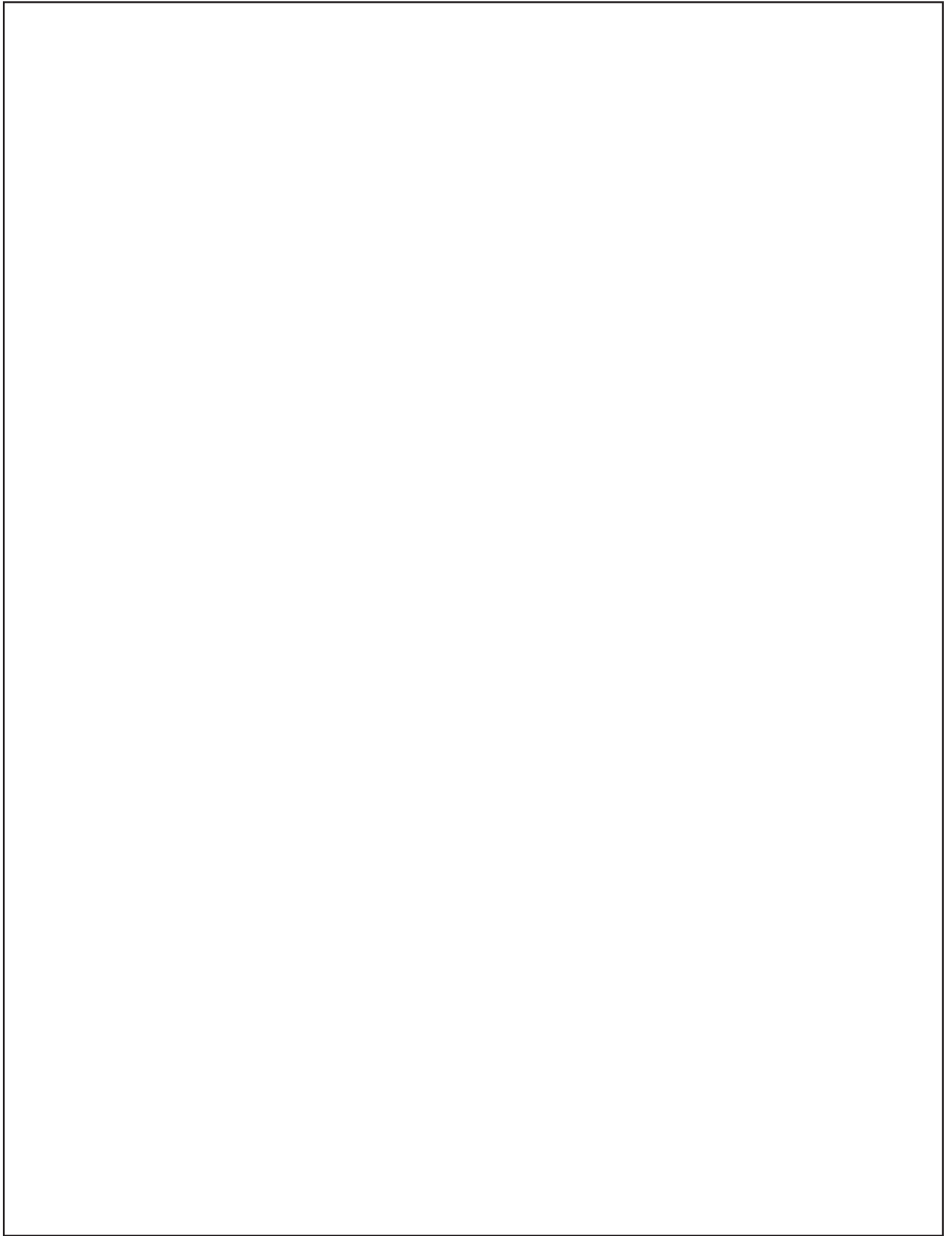


5



Floodlight 11 - Blende / Shield





Siteco GmbH
Georg-Simon-Ohm-Straße 50
83301 Traunreut, Germany
mail: technicalsupport@siteco.de
Phone: +49 8669 / 33-844
www.siteco.com



5MA77-266292_ac
29.01.2026 / KIN