

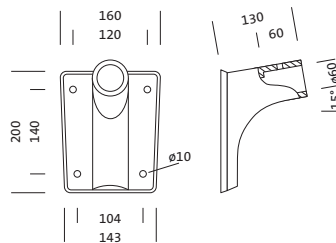
Order No.: 5NY51021 | GTIN (EAN): 4039806199652

Product description: wallflØ60,coat,gy



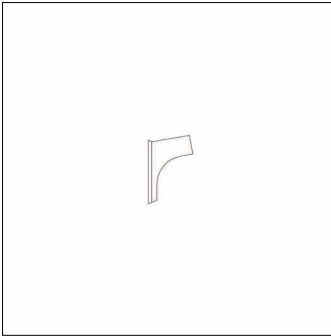
wall flange, wall flange, of diecast aluminium, coated, light grey (RAL 7035),  
packaging unit: 1 piece

Wt. (kg): 0.8  
GTIN (EAN): 4039806199652



Order No.: 5NY51021 | GTIN (EAN): 4039806199652

Detailed technical description: wallflØ60,coat,gy



#### Key data

- Product type: wall flange
- Product name: without family assignment
- Order No.: 5NY51021

#### Material, Colour

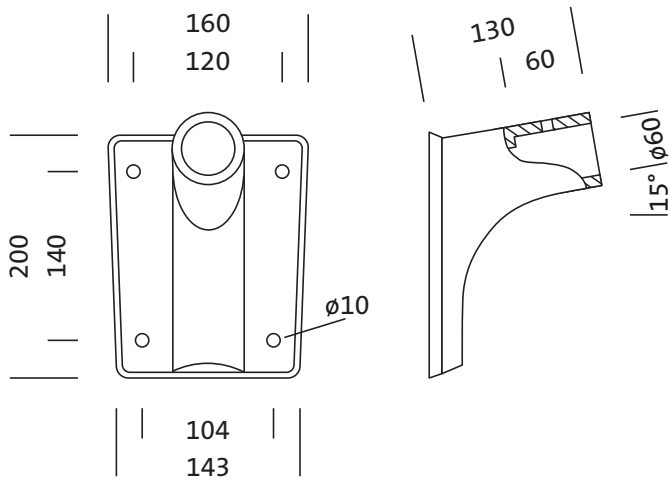
- wall flange: diecast aluminium, coated, light grey (RAL 7035)
- Colour specification: light grey (RAL 7035)

#### Dimensions, Weight

- Weight: 0.8kg

Order No.: 5NY51021 | GTIN (EAN): 4039806199652

Dimensions: wallflØ60,coat,gy



It is mandatory that the assembly instructions must be observed when planning and installing the electrical installation (to be found at [www.siteco.de](http://www.siteco.de))

Tolerances related to thermal, electrical and photometric data according to IEC 62722

Issued 24.02.2023 - Modifications and errors subject to change - Ensure that you always use the latest version -