

Order No.: 51TP11CN48XFD | **GTIN (EAN):** 4058352418376

Product description: Lic11Pr,nrrw,8140lm840,MLCi,IP64,L1500



Licross® 11 Protected MO, luminaire insert, of sheet steel, galvanised, coil coated, white, length: 1.500mm, width: 90mm, height: 101mm, LED rated luminous flux: 8.140lm, light colour: 840, control gear: ON/OFF Multilumen, CLOi, control gear: ECG Multilumen, with plug, 6-pole, with phase selection, mains connection: 220..240V, AC/DC, 0/50..60Hz, without changeover relay, for emergency light function, for central battery installations according to DIN EN 60598-2-22, halogen-free wiring, primary optical cover: cover, of PMMA, light emission: direct with ceiling illumination distribution, primary light characteristic: symmetric, protection rating (complete): IP64, insulation class (complete): insulation class I (protective earthing), certification: CE, ENEC, VDE, UKCA, protection symbol: D if used in an environment without relevant dust loads with corresponding accessories, impact resistance: IK06, permissible ambient temperature for indoor applications: -35..+40°C, standard: EN 60598-2-22, reducing of maximum allowable ambient temperature of 5°C with ceiling mounting, corresponds to IFS (International Featured Standards) requirements for safety and quality in the food industry, LABS conformity tested according to VDMA 24364:2018-05, packaging unit: 1 piece



Lamps: LED
 Wt. (kg): 3.2
 GTIN (EAN): 4058352418376



Order No.: 51TP11CN48XFD | **GTIN (EAN):** 4058352418376

Detailed technical description: Lic11Pr,nrrw,8140lm840,MLCi,IP64,L1500



Key data

- Product type: luminaire insert
- Product name: Licross® 11 Protected MO
- Order No.: 51TP11CN48XFD

Lighting technology | Lamps | Control gear

Component 1

Lighting technology:

- Cover: cover
- Beam angle: narrow distribution
- Symmetry: symmetric
- Light emission: direct with ceiling illumination
- UGR viewing direction along longitudinal luminaire axis: ≤ 19
- UGR viewing direction along lateral luminaire axis: ≤ 19

Lamps:

- Lamps: with LED
- Rated luminous flux: 8140lm
- Luminous efficacy: 166lm/W
- Colour temperature: 4000K
- Colour rendering index: CRI > 80
- Light colour: 840
- SDCM (Standard Deviation of Colour Matching): MacAdam ≤ 3 SDCM (initial)
- Rated input power begin service life: 49
- Rated input power end service life: 54
- Supplement: without changeover relay, for emergency light function, for central battery installations according to DIN EN 60598-2-22, halogen-free wiring

Operating device:

- Control gear: ECG Multilumen
- Control: ON/OFF Multilumen, CLOi

Certificates, Standards

- Protection rating: IP64
- Insulation class: insulation class I (protective earthing)
- Impact resistance: IK06
- Protection symbol: D if used in an environment without relevant dust loads with corresponding accessories
- Temperature range (operation): -35..+40°C
- Supplement: corresponds to IFS (International Featured Standards) requirements for safety and quality in the food industry, reducing of maximum allowable ambient temperature of 5°C with ceiling mounting, LABS conformity tested according to VDMA 24364:2018-05
- Standard: EN 60598-2-22
- Certification, designation: CE, ENEC, VDE, UKCA

Material, Colour

- Licross® LED insert: sheet steel, galvanised, coil coated, white
- Colour specification: white
- Cover: cover of PMMA

Mounting

- Mounting method, mounting location: slip-in mounting, in the Licross® trunking rail
- Arrangement: single/continuous arrangement

Electrical connection

- Connection: plug, 6-pole, with phase selection
- Nominal voltage: 220..240V, 0/50..60Hz, AC/DC

Dimensions, Weight

- Length: 1500mm
- Width: 90mm
- Height: 101mm
- Weight: 3.2kg

Service life

- Rated service life: 70000h (L100/B50) at AT = 25°C

Order No.: 51TP11CN48XFD | GTIN (EAN): 4058352418376

Dimensions: Lic11Pr,nrrw,8140lm840,MLCi,IP64,L1500



Order No.: 51TP11CN48XFD | **GTIN (EAN):** 4058352418376

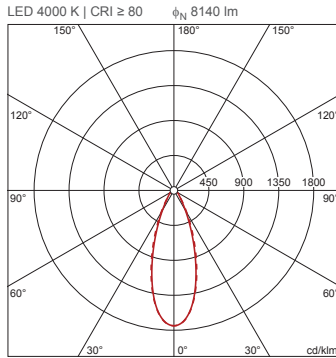
Planning data: Lic11Pr,nrrw,8140lm840,MLCi,IP64,L1500

**51TP11CN48XFD: 1x LED;
factory setting AC mode: AC-
mode**

4058352418376

51TP11CN48XFD

LED 4000 K | CRI ≥ 80



ϕ_{\downarrow} 100% ϕ_{\uparrow} 0%

Luminance values (cd/m²)

	C 0/180	C 90/270
L ₈₀	3812	3731
L ₇₀	4515	4859
L ₆₅	5067	5477

UGR 19 18.1

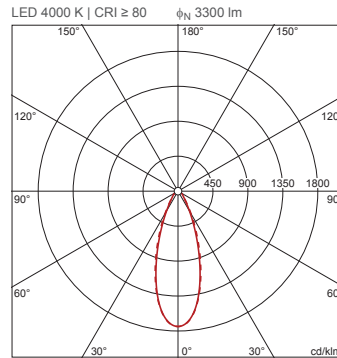
X 4H Y 8H ρ 70/50/20 S 0.25H

**51TP11CN48XFD: 1x LED;
emergency light operation
rated luminous flux: DC
mode (central or group
accumulator) initial
emergency light level**

4058352418376

51TP11CN48XFD

LED 4000 K | CRI ≥ 80



ϕ_{\downarrow} 100% ϕ_{\uparrow} 0%

Luminance values (cd/m²)

	C 0/180	C 90/270
L ₈₀	1545	1513
L ₇₀	1830	1970
L ₆₅	2054	2220

UGR 15.9 14.9

X 4H Y 8H ρ 70/50/20 S 0.25H