

Order No.: 5XA7682G3H2AC | **GTIN (EAN):** 4058352223734

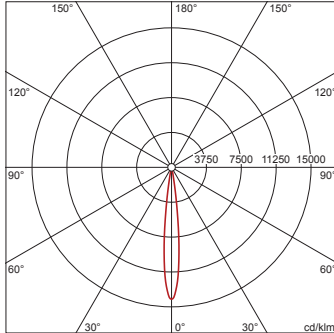
Product description: FL20md,RS05,39000lm750,PlusDA,wall-fast



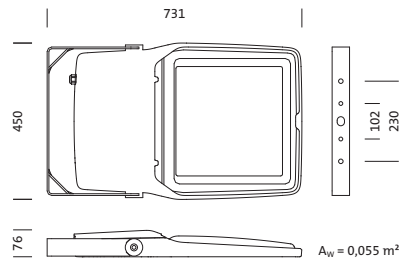
Floodlight FL 20 midi, floodlight, primary light control with lens, of plastic, primary optical cover: protective disc, of toughened safety glass, transparent, light distribution: RS05, light emission: direct distribution, primary light characteristic: rotationally symmetric, installation type: surface-mounted, LED, High Power LED, rated luminous flux: 39.000lm, luminous efficacy: 128lm/W, light colour: 750, colour temperature: 5000K, control gear: ECG Plus, control: overheat protection, power reduction, digital communication interface, time-dependent luminous flux control, flexible luminous flux parameterisation, electronic power reduction, with terminal, 10-pole, max. 2.5mm², mains connection: 220..240V, AC, 50/60Hz, rated input power: 306W, LED unit, of diecast aluminium, powder-coated, Siteco® metallic grey (DB 702S), corrosivity category C5 mid according to DIN EN ISO 12944, length: 731mm, width: 450mm, height: 76mm, housing frame, of diecast aluminium, powder-coated, Siteco® metallic grey (DB 702S), wall fastening, DALI, protection rating (complete): IP66, insulation class (complete): insulation class II (safety insulation), certification: CE, ENEC, VDE, protection symbol: D, permissible operating ambient temperature: -40..+40°C, permissible operating ambient temperature for outdoor applications: -40..+50°C, standard: DIN EN 12944, packaging unit: 1 piece

4058352223734
5XA7682G3H2AC

LED 5000K / CRI ≥ 70 Φ_h 39000 lm



Lamps: LED
Wt. (kg): 16.5
GTIN (EAN): 4058352223734



It is mandatory that the assembly instructions must be observed when planning and installing the electrical installation (to be found at www.siteco.de)

Tolerances related to thermal, electrical and photometric data according to IEC 62722

Issued 13.04.2024 - Modifications and errors subject to change - Ensure that you always use the latest version -

Order No.: 5XA7682G3H2AC | GTIN (EAN): 4058352223734

Detailed technical description: FL20md,RS05,39000lm750,PlusDA,wall-fast



Key data

- Product type: floodlight
- Product name: Floodlight FL 20 midi
- Order No.: 5XA7682G3H2AC

Lighting technology | Lamps | Control gear

Component 1

Lighting technology:

- Light control: lens of plastic
- Cover: protective disc, transparent
- Light distribution: RS05
- Symmetry: rotationally symmetric
- Light emission: direct distribution

Lamps:

- Lamps: with High Power LED, LED
- Rated luminous flux: 39000lm
- Luminous efficacy: 128lm/W
- Colour temperature: 5000K
- Colour rendering index: CRI > 70
- Light colour: 750
- Rated input power: 306W

Operating device:

- Control gear: ECG Plus
- Control: Plus/DALI
- Equipment: overheat protection, power reduction, digital communication interface, time-dependent luminous flux control, flexible luminous flux parameterisation
- Switching method: electronic power reduction

Certificates, Standards

- Protection rating: IP66
- Insulation class: insulation class II (safety insulation)
- Protection symbol: D
- Temperature range (operation): -40..+40°C
- Standard: DIN EN 12944
- Corrosion protection: corrosivity category C5 mid according to DIN EN ISO 12944
- Certification, designation: CE, ENEC, VDE

Material, Colour

- LED unit: diecast aluminium, powder-coated, Siteco® metallic grey (DB 702S)
- Colour specification: Siteco® metallic grey (DB 702S)
- housing frame: diecast aluminium, powder-coated, Siteco® metallic grey (DB 702S)
- Colour specification: Siteco® metallic grey (DB 702S)
- Cover: protective disc of toughened safety glass

Mounting

- Mounting method, mounting location: surface-mounted, to supporting structure, to the cross arm
- Arrangement: single arrangement
- Supplement: with mounting bracket

Electrical connection

- Connection: terminal, 10-pole, max. 2.5mm²
- Nominal voltage: 220..240V, 50/60Hz, AC
- Surge voltage resistance: 10kV 1.2/50µs

Dimensions, Weight

- Length: 731mm
- Width: 450mm
- Height: 76mm
- Weight: 16.5kg

Light emission

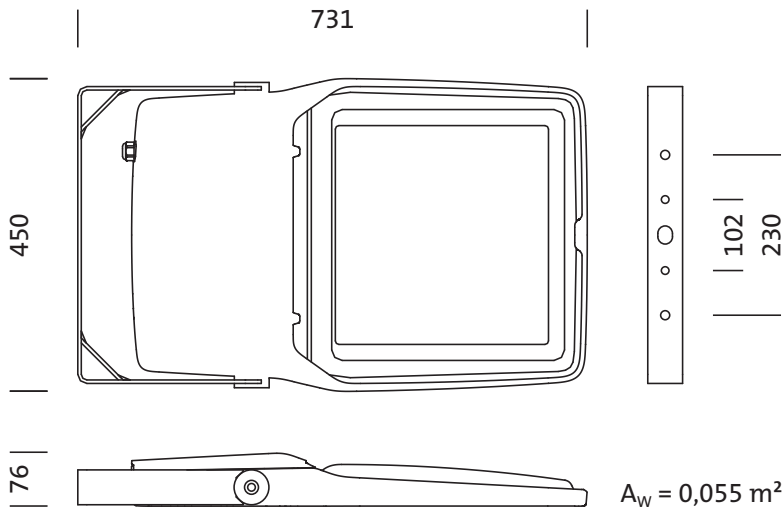
- Light emission: 0% at 0° inclination

Service life

- Rated service life: 50000h (L97/B10) at AT = 25°C

Order No.: 5XA7682G3H2AC | GTIN (EAN): 4058352223734

Dimensions: FL20md,RS05,39000lm750,PlusDA,wall-fast

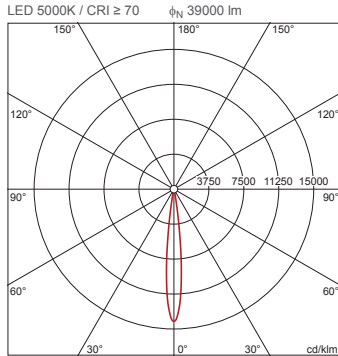


Order No.: 5XA7682G3H2AC | **GTIN (EAN):** 4058352223734

Planning data: FL20md,RS05,39000lm750,PlusDA,wall-fast

5XA7682G3H2AC: 1x LED
5000K / CRI ≥ 70

4058352223734
 5XA7682G3H2AC



— C 0/180 - - - C 90/270

Luminous intensity class according to
 EN13201-2: G6

H(m)	\varnothing (m)	E _{max} (lx)	E _m (lx)
4	0.87	38227	30813
8	1.74	9557	7703
12	2.61	4247	3424
16	3.48	2389	1926
20	4.35	1529	1233

It is mandatory that the assembly instructions must be observed when planning and installing the electrical installation (to be found at www.siteco.de)
 Tolerances related to thermal, electrical and photometric data according to IEC 62722
 Issued 13.04.2024 - Modifications and errors subject to change - Ensure that you always use the latest version -