

Order No.: 5LZ980300 | GTIN (EAN): 4058352398579

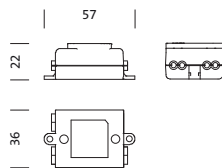
Product description: SConWi,controller,lokCtrl,1,switch



SITECO Connect Wirelesscontroller, master, local control, dimmable, installation type: recessed, installation location: in the luminaire, of plastic, voltage: 230V, 1 x DALI, 1 x Bluetooth® interface, 1 x switching contact, protection rating (complete): IP20, insulation class (complete): insulation class II (safety insulation), certification: CE, packaging unit: 1 piece

IP 20  

Wt. (kg): 0.1
GTIN (EAN): 4058352398579



Order No.: 5LZ980300 | GTIN (EAN): 4058352398579

Detailed technical description: SConWi,controller,lokCtrl,1,switch



Key data

- System family: SITECO Connect 31 Wireless
- Product type: lighting management components
- Product name: SITECO Connect Wireless
- Order No.: 5LZ980300

1x Bluetooth® interface

- Feature: operating frequency 2.4..2.483GHz, +4dBm

1x switching contact

- Feature: number of ECG's depends of the ECG type

Lighting technology | Lamps | Control gear

Component 1

Operating device:

- Control: Bluetooth® mesh 4.2, dimmable

Certificates, Standards

- Protection rating: IP20
- Insulation class: insulation class II (safety insulation)
- Temperature range (operation): -20..+40°C
- Certification, designation: CE

Material, Colour

- housing: plastic, grey
- housing: plastic, grey
- Colour specification: grey

Mounting

- Mounting method, mounting location: recessed, in the luminaire
- Supplement: only suitable for indoor use

Electrical connection

- Nominal voltage: 230V

Dimensions, Weight

- Length: 57mm
- Width: 36mm
- Height: 22mm
- Weight: 0.1kg

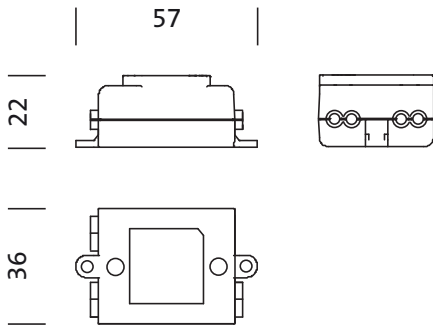
Outputs

1x DALI

- Limiting: maximum 2x ECG DALI or 2x ECG DALI DT8 and 1 sensor PS3 DALI2 controllable

Order No.: 5LZ980300 | GTIN (EAN): 4058352398579

Dimensions: SConWi,controller,lokCtrl,1,switch



It is mandatory that the assembly instructions must be observed when planning and installing the electrical installation (to be found at www.siteco.de)

Tolerances related to thermal, electrical and photometric data according to IEC 62722

Issued 22.12.2023 - Modifications and errors subject to change - Ensure that you always use the latest version -