

Order No.: 5EA3BEH01 | GTIN (EAN): 4058352641286

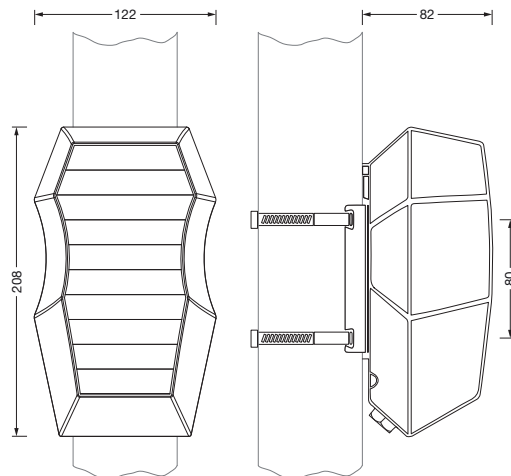
Product description: SConWi,MastBoxMotHigh



SITECO Connect Wireless Mast Box Motion High, installation type: surface-mounted, installation location: to mast, of plastic, voltage: 230V, voltage type: AC, 2.4GHz, local mesh radio network, DALI, local setting and operation with USB stick, by movement, optionally via radio push button, 1 PIR movement sensor, radio, 2.4GHz, protection rating (complete): IP65, certification: CE, packaging unit: 1 piece

IP 65 CE

Wt. (kg): 0.8
GTIN (EAN): 4058352641286



It is mandatory that the assembly instructions must be observed when planning and installing the electrical installation (to be found at www.siteco.de)
Tolerances related to thermal, electrical and photometric data according to IEC 62722
Issued 12.04.2024 - Modifications and errors subject to change - Ensure that you always use the latest version -

Order No.: 5EA3BEH01 | GTIN (EAN): 4058352641286

Detailed technical description: SConWi,MastBoxMotHigh



Key data

- Product type: sensor
- Product name: SITECO Connect Wireless
- Order No.: 5EA3BEH01

Lighting technology | Lamps | Control gear

Component 1

Operating device:

- Control: DALI

Certificates, Standards

- Protection rating: IP65
- Temperature range (operation): -25..+80°C
- Certification, designation: CE

Material, Colour

- housing: plastic, dark grey
- Colour specification: dark grey

Mounting

- Mounting method, mounting location: surface-mounted, to mast
- Mounting height: 6..12m

Electrical connection

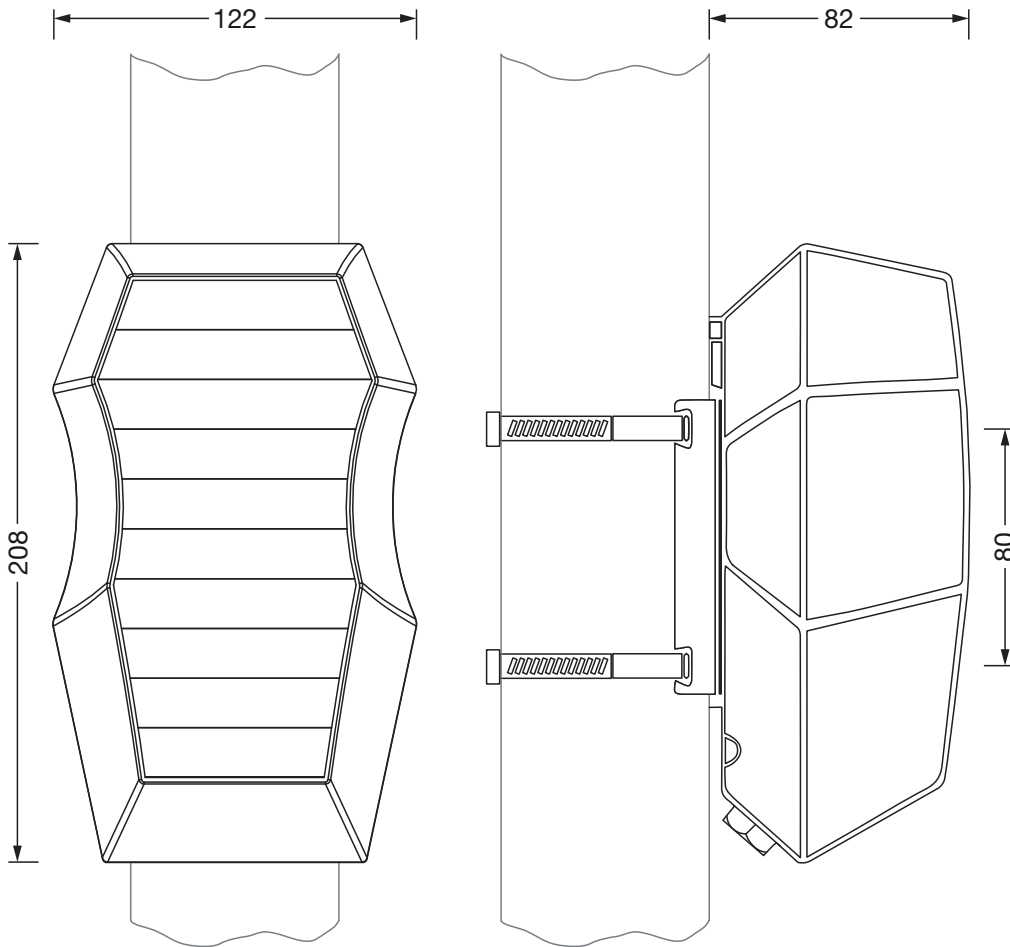
- Nominal voltage: 230V, AC

Dimensions, Weight

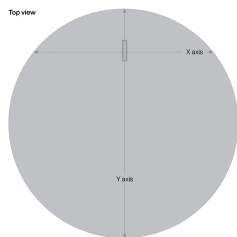
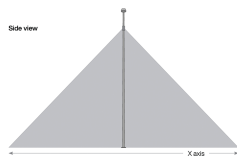
- Weight: 0.8kg

Order No.: 5EA3BEH01 | GTIN (EAN): 4058352641286

Dimensions: SConWi,MastBoxMotHigh



Detection zone "Mast Box Motion High"
5EA3BEH01



Mounting height	X axis	Y axis
70 m	119 m	124 m
80 m	136 m	142 m
90 m	153 m	159 m
100 m	170 m	177 m

It is mandatory that the assembly instructions must be observed when planning and installing the electrical installation (to be found at www.siteco.de)
Tolerances related to thermal, electrical and photometric data according to IEC 62722
Issued 12.04.2024 - Modifications and errors subject to change - Ensure that you always use the latest version -