

Order No.: 5EA3BEL01 | GTIN (EAN): 4058352641316

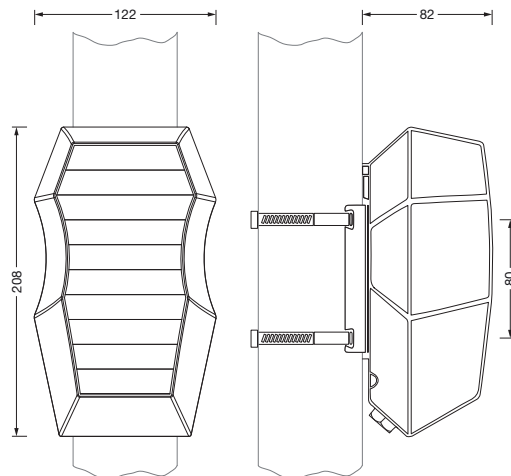
Product description: SConWi,MastBoxMotLow



SITECO Connect Wireless Mast Box Motion Low, installation type: surface-mounted, installation location: to mast, of plastic, voltage: 230V, voltage type: AC, 2.4GHz, local mesh radio network, DALI, local setting and operation with USB stick, by movement, optionally via radio push button, 1 PIR movement sensor, radio, 2.4GHz, protection rating (complete): IP65, certification: CE, packaging unit: 1 piece

IP 65 CE

Wt. (kg): 0.8
GTIN (EAN): 4058352641316



It is mandatory that the assembly instructions must be observed when planning and installing the electrical installation (to be found at www.siteco.de)
Tolerances related to thermal, electrical and photometric data according to IEC 62722
Issued 12.04.2024 - Modifications and errors subject to change - Ensure that you always use the latest version -

Order No.: 5EA3BEL01 | GTIN (EAN): 4058352641316

Detailed technical description: SConWi,MastBoxMotLow



Key data

- Product type: sensor
- Product name: SITECO Connect Wireless
- Order No.: 5EA3BEL01

Lighting technology | Lamps | Control gear

Component 1

Operating device:

- Control: DALI

Certificates, Standards

- Protection rating: IP65
- Temperature range (operation): -25..+80°C
- Certification, designation: CE

Material, Colour

- housing: plastic, dark grey
- Colour specification: dark grey

Mounting

- Mounting method, mounting location: surface-mounted, to mast
- Mounting height: 0..6m

Electrical connection

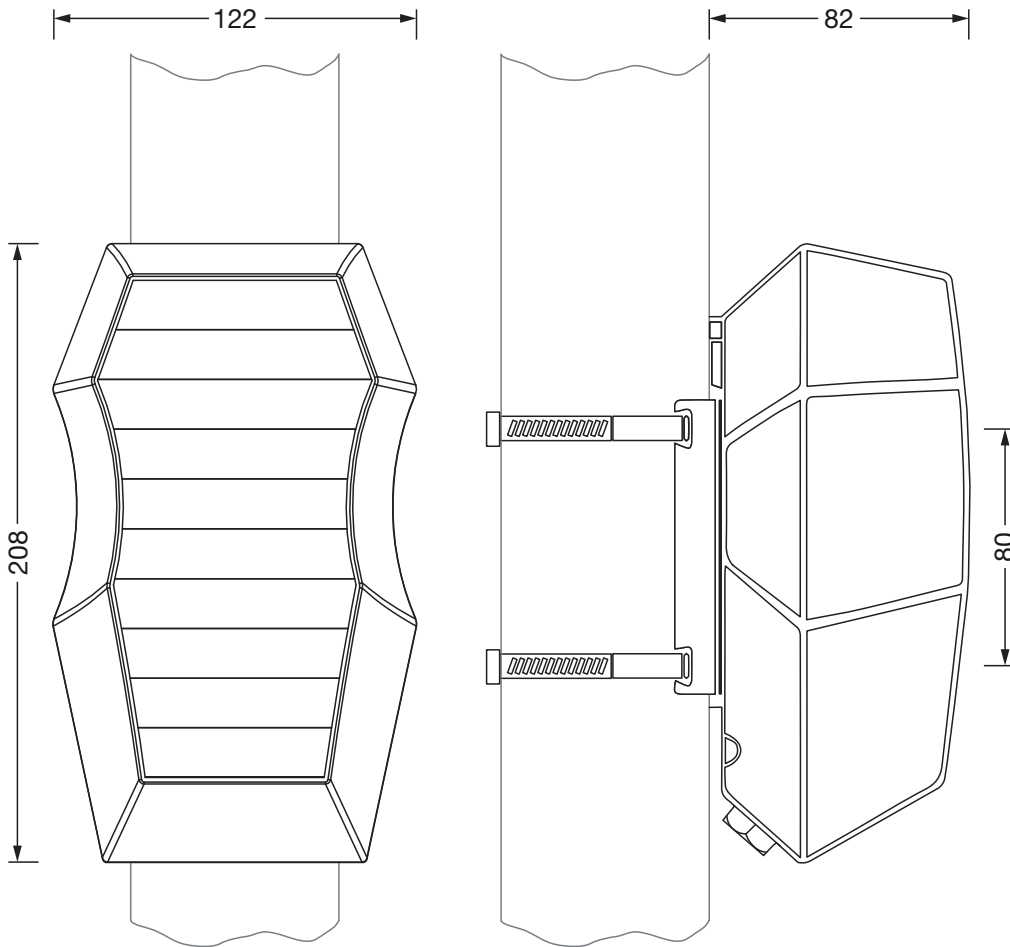
- Nominal voltage: 230V, AC

Dimensions, Weight

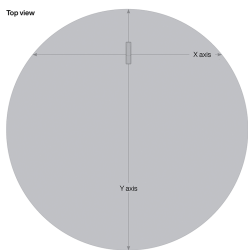
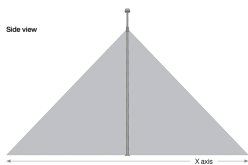
- Weight: 0.8kg

Order No.: 5EA3BEL01 | GTIN (EAN): 4058352641316

Dimensions: SConWi,MastBoxMotLow



Detection zone "Mast Box Motion Low"
5EA3BEL01



Mounting height	X axis	Y axis
5.0 m	8.5 m	8.8 m
6.0 m	10.2 m	10.6 m

It is mandatory that the assembly instructions must be observed when planning and installing the electrical installation (to be found at www.siteco.de)
Tolerances related to thermal, electrical and photometric data according to IEC 62722
Issued 12.04.2024 - Modifications and errors subject to change - Ensure that you always use the latest version -