

Order No.: 5EA3BS01 | GTIN (EAN): 4058352524183

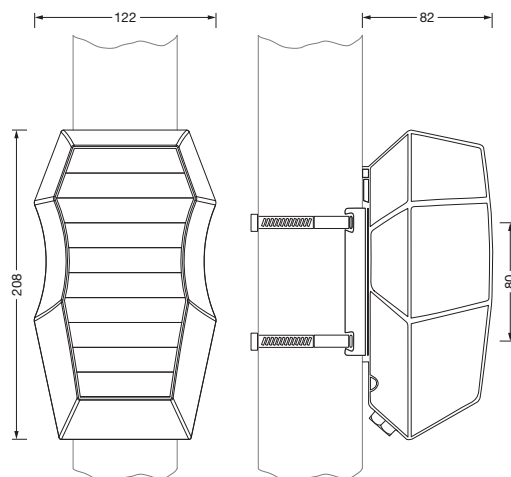
Product description: SConWi,MastBoxStandard



SITECO Connect WirelessMast Box Standard, installation type: surface-mounted, installation location: to mast, of plastic, protection rating (complete): IP65, certification: CE, voltage: 230V, voltage type: AC, radio, 2.4GHz, packaging unit: 1 piece

IP 65 CE

Wt. (kg): 0.6
GTIN (EAN): 4058352524183



Order No.: 5EA3BS01 | GTIN (EAN): 4058352524183

Detailed technical description: SConWi,MastBoxStandard



Key data

- Product type: luminaire controller
- Product name: SITECO Connect Wireless
- Order No.: 5EA3BS01

Lighting technology | Lamps | Control gear

Component 1

Operating device:

- Control: DALI

Certificates, Standards

- Protection rating: IP65
- Temperature range (operation): -25..+80°C
- Certification, designation: CE

Material, Colour

- housing: plastic, dark grey
- Colour specification: dark grey

Mounting

- Mounting method, mounting location: surface-mounted, to mast
- Mounting height: 0..6m

Electrical connection

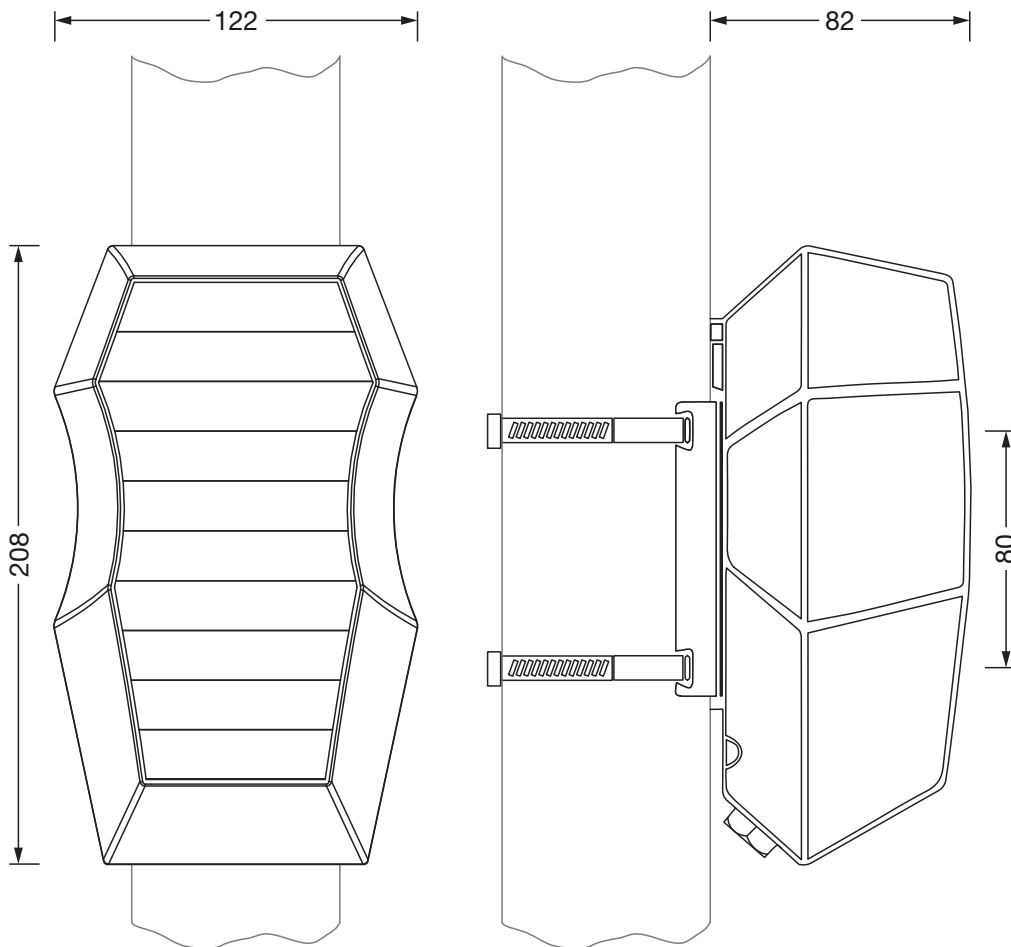
- Nominal voltage: 230V, AC

Dimensions, Weight

- Weight: 0.6kg

Order No.: 5EA3BS01 | GTIN (EAN): 4058352524183

Dimensions: SConWi, MastBoxStandard



It is mandatory that the assembly instructions must be observed when planning and installing the electrical installation (to be found at www.siteco.de)
Tolerances related to thermal, electrical and photometric data according to IEC 62722
Issued 21.10.2023 - Modifications and errors subject to change - Ensure that you always use the latest version -