

Order No.: 5XA7682G2A1KC | GTIN (EAN): 4058352234785

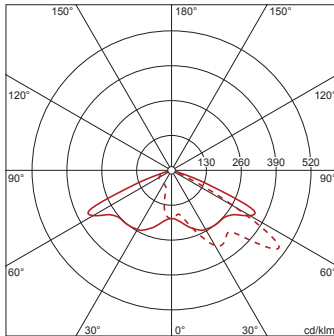
Product description: FL20md,PL43,38700lm740,PlusDA



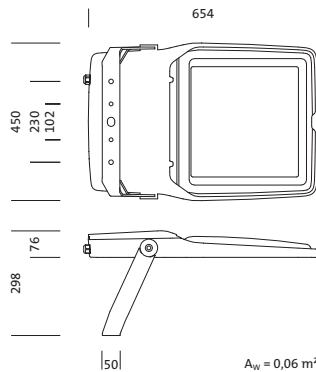
Floodlight FL 20 midi, floodlight, primary light control with lens, of plastic, primary optical cover: protective disc, of toughened safety glass, transparent, light distribution: PL43, light emission: direct distribution, primary light characteristic: asymmetric, installation type: surface-mounted, LED, High Power LED, rated luminous flux: 38.700lm, luminous efficacy: 127lm/W, light colour: 740, colour temperature: 4000K, control gear: ECG Plus, control: overheat protection, power reduction, digital communication interface, flexible luminous flux parameterisation, time-dependent luminous flux control, electronic power reduction, with terminal, 10-pole, max. 2.5mm<sup>2</sup>, mains connection: 220..240V, AC, 50/60Hz, rated input power: 306W, LED unit, of diecast aluminium, powder-coated, Siteco® metallic grey (DB 702S), corrosivity category C5 mid according to DIN EN ISO 12944, length: 654mm, width: 450mm, height: 76mm, housing frame, of diecast aluminium, powder-coated, Siteco® metallic grey (DB 702S), DALI, protection rating (complete): IP66, insulation class (complete): insulation class II (safety insulation), certification: CE, ENEC, VDE, protection symbol: D, permissible operating ambient temperature: -40..+40°C, permissible operating ambient temperature for outdoor applications: -40..+50°C, standard: DIN EN 12944, packaging unit: 1 piece

4058352234785  
5XA7682G2A1KC

LED 4000K / CRI ≥ 70    Φ<sub>lm</sub> 38700 lm



Lamps:	LED
Wt. (kg):	15.6
GTIN (EAN):	4058352234785



It is mandatory that the assembly instructions must be observed when planning and installing the electrical installation (to be found at [www.siteco.de](http://www.siteco.de))

Tolerances related to thermal, electrical and photometric data according to IEC 62722

Issued 13.04.2024 - Modifications and errors subject to change - Ensure that you always use the latest version -

Order No.: 5XA7682G2A1KC | GTIN (EAN): 4058352234785

Detailed technical description: FL20md,PL43,38700lm740,PlusDA



#### Key data

- Product type: floodlight
- Product name: Floodlight FL 20 midi
- Order No.: 5XA7682G2A1KC

#### Lighting technology | Lamps | Control gear

##### Component 1

#### Lighting technology:

- Light control: lens of plastic
- Cover: protective disc, transparent
- Light distribution: PL43
- Symmetry: asymmetric distribution
- Light emission: direct distribution

#### Lamps:

- Lamps: with High Power LED, LED
- Rated luminous flux: 38700lm
- Luminous efficacy: 127lm/W
- Colour temperature: 4000K
- Colour rendering index: CRI > 70
- Light colour: 740
- Rated input power: 306W

#### Operating device:

- Control gear: ECG Plus
- Control: Plus/DALI
- Equipment: overheat protection, power reduction, digital communication interface, time-dependent luminous flux control, flexible luminous flux parameterisation
- Switching method: electronic power reduction

#### Certificates, Standards

- Protection rating: IP66
- Insulation class: insulation class II (safety insulation)
- Protection symbol: D
- Temperature range (operation): -40..+40°C
- Standard: DIN EN 12944
- Corrosion protection: corrosivity category C5 mid according to DIN EN ISO 12944
- Certification, designation: CE, ENEC, VDE

#### Material, Colour

- LED unit: diecast aluminium, powder-coated, Siteco® metallic grey (DB 702S)
- Colour specification: Siteco® metallic grey (DB 702S)
- housing frame: diecast aluminium, powder-coated, Siteco® metallic grey (DB 702S)
- Colour specification: Siteco® metallic grey (DB 702S)
- Cover: protective disc of toughened safety glass

#### Mounting

- Mounting method, mounting location: surface-mounted, to supporting structure, to the cross arm
- Arrangement: single arrangement
- Supplement: with mounting bracket

#### Electrical connection

- Connection: terminal, 10-pole, max. 2.5mm<sup>2</sup>
- Nominal voltage: 220..240V, 50/60Hz, AC
- Surge voltage resistance: 10kV 1.2/50µs

#### Dimensions, Weight

- Length: 654mm
- Width: 450mm
- Height: 76mm
- Weight: 15.6kg

#### Light emission

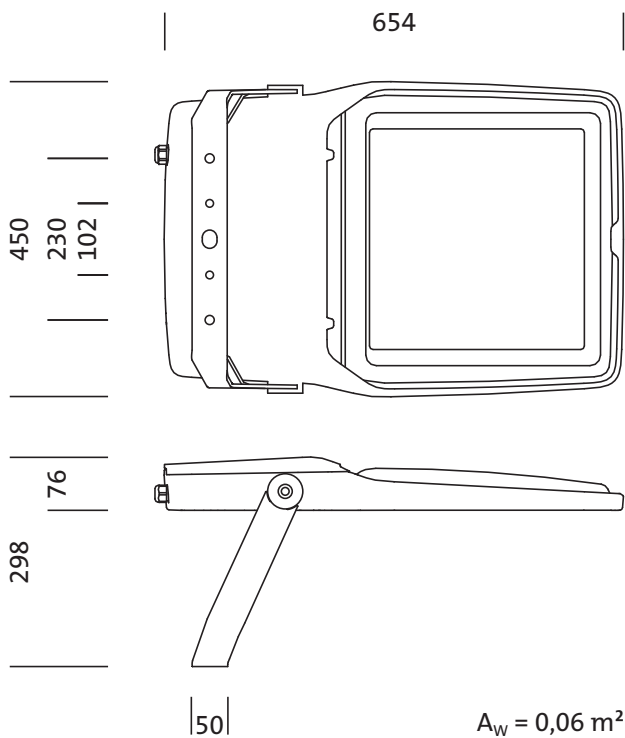
- Light emission: 0% at 0° inclination

#### Service life

- Rated service life: 50000h (L97/B10) at AT = 25°C

Order No.: 5XA7682G2A1KC | GTIN (EAN): 4058352234785

Dimensions: FL20md,PL43,38700lm740,PlusDA



It is mandatory that the assembly instructions must be observed when planning and installing the electrical installation (to be found at [www.siteco.de](http://www.siteco.de))

Tolerances related to thermal, electrical and photometric data according to IEC 62722

Issued 13.04.2024 - Modifications and errors subject to change - Ensure that you always use the latest version -

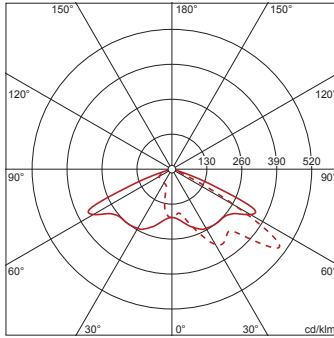
Order No.: 5XA7682G2A1KC | GTIN (EAN): 4058352234785

Planning data: FL20md,PL43,38700lm740,PlusDA

**5XA7682G2A1KC: 1x LED**  
**4000K / CRI  $\geq$  70**

4058352234785  
5XA7682G2A1KC

LED 4000K / CRI  $\geq$  70  $\Phi_{\text{N}}$  38700 lm



— C 0/180    - - - C 90/270

Luminous intensity class according to  
EN13201-2: G6

It is mandatory that the assembly instructions must be observed when planning and installing the electrical installation (to be found at [www.siteco.de](http://www.siteco.de))

Tolerances related to thermal, electrical and photometric data according to IEC 62722

Issued 13.04.2024 - Modifications and errors subject to change - Ensure that you always use the latest version -