

Order No.: 51TP12DN4EXLD | **GTIN (EAN):** 4058352418512

Product description: Lic11Pr,wd,14070lm840,DA2,IP64,L1500,wh



Licross® 11 Protected HO, luminaire insert, of sheet steel, galvanised, coil coated, white, length: 1.500mm, width: 90mm, height: 101mm, LED rated luminous flux: 14.070lm, light colour: 840, control gear: DALI 2, control gear: ECG DALI, with plug, 6-pole, with phase selection, mains connection: 220..240V, AC/DC, 0/50..60Hz, for central battery installations according to DIN EN 60598-2-22, for emergency light function, without changeover relay, halogen-free wiring, primary optical cover: cover, of PMMA, light emission: direct with ceiling illumination distribution, primary light characteristic: symmetric, protection rating (complete): IP64, insulation class (complete): insulation class I (protective earthing), certification: CE, ENEC, VDE, UKCA, protection symbol: D if used in an environment without relevant dust loads with corresponding accessories, impact resistance: IK06, permissible ambient temperature for indoor applications: -25..+35°C, standard: EN 60598-2-22, reducing of maximum allowable ambient temperature of 5°C with ceiling mounting, corresponds to IFS (International Featured Standards) requirements for safety and quality in the food industry, LABS conformity tested according to VDMA 24364:2018-05, packaging unit: 1 piece



Lamps:	LED
Wt. (kg):	3.0
GTIN (EAN):	4058352418512



Order No.: 51TP12DN4EXLD | **GTIN (EAN):** 4058352418512

Detailed technical description: Lic11Pr,wd,14070lm840,DA2,IP64,L1500,wh



Key data

- Product type: luminaire insert
- Product name: Licross® 11 Protected HO
- Order No.: 51TP12DN4EXLD

Lighting technology | Lamps | Control gear

Component 1

Lighting technology:

- Cover: cover
- Beam angle: wide distribution
- Symmetry: symmetric
- Light emission: direct with ceiling illumination
- UGR viewing direction along longitudinal luminaire axis: ≤ 22
- UGR viewing direction along lateral luminaire axis: ≤ 28

Lamps:

- Lamps: with LED
- Rated luminous flux: 14070lm
- Luminous efficacy: 163lm/W
- Colour temperature: 4000K
- Colour rendering index: CRI > 80
- Light colour: 840
- SDCM (Standard Deviation of Colour Matching): MacAdam ≤ 3 SDCM (initial)
- Rated input power: 86W
- Supplement: without changeover relay, for emergency light function, for central battery installations according to DIN EN 60598-2-22, halogen-free wiring

Operating device:

- Control gear: ECG DALI
- Control: DALI 2

Certificates, Standards

- Protection rating: IP64
- Insulation class: insulation class I (protective earthing)
- Impact resistance: IK06
- Protection symbol: D if used in an environment without relevant dust loads with corresponding accessories
- Temperature range (operation): -25..+35°C
- Supplement: corresponds to IFS (International Featured Standards) requirements for safety and quality in the food industry, reducing of maximum allowable ambient temperature of 5°C with ceiling mounting, LABS conformity tested according to VDMA 24364:2018-05
- Standard: EN 60598-2-22
- Certification, designation: CE, ENEC, VDE, UKCA

Material, Colour

- Licross® LED insert: sheet steel, galvanised, coil coated, white
- Colour specification: white
- Cover: cover of PMMA

Mounting

- Mounting method, mounting location: slip-in mounting, in the Licross® trunking rail
- Arrangement: single/continuous arrangement

Electrical connection

- Connection: plug, 6-pole, with phase selection
- Nominal voltage: 220..240V, 0/50..60Hz, AC/DC

Dimensions, Weight

- Length: 1500mm
- Width: 90mm
- Height: 101mm
- Weight: 3.0kg

Service life

- Rated service life: 100000h (L85/B50) at AT = 25°C

Order No.: 51TP12DN4EXLD | GTIN (EAN): 4058352418512

Dimensions: Lic11Pr,wd,14070lm840,DA2,IP64,L1500,wh



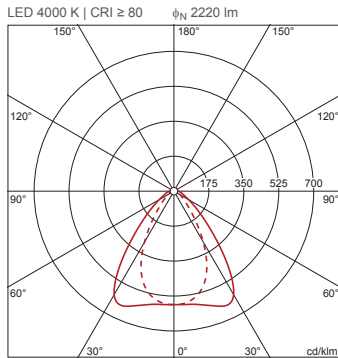
It is mandatory that the assembly instructions must be observed when planning and installing the electrical installation (to be found at www.siteco.de)
Tolerances related to thermal, electrical and photometric data according to IEC 62722
Issued 08.09.2023 - Modifications and errors subject to change - Ensure that you always use the latest version -

Order No.: 51TP12DN4EXLD | **GTIN (EAN):** 4058352418512

Planning data: Lic11Pr,wd,14070lm840,DA2,IP64,L1500,wh

**51TP12DN4EXLD: 1x LED;
emergency light operation
rated luminous flux: DC
mode (central or group
accumulator) initial
emergency light level**

4058352418512
51TP12DN4EXLD



ϕ_{\downarrow} 98% ϕ_{\uparrow} 2%

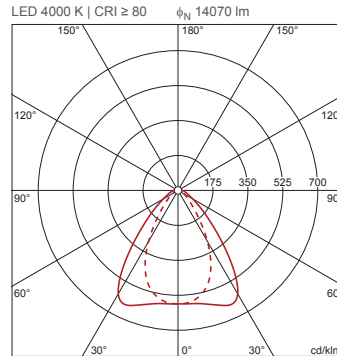
Luminance values (cd/m²)

	C 0/180	C 90/270
L ₈₀	1934	888
L ₇₀	1943	1118
L ₆₅	2138	1237

UGR 18.9 14.4
X 4H Y 8H ρ 70/50/20 S 0.25H

**51TP12DN4EXLD: 1x LED;
factory setting AC mode: AC-
mode**

4058352418512
51TP12DN4EXLD



ϕ_{\downarrow} 98% ϕ_{\uparrow} 2%

Luminance values (cd/m²)

	C 0/180	C 90/270
L ₈₀	12259	5628
L ₇₀	12312	7083
L ₆₅	13552	7837

UGR 25.3 20.8
X 4H Y 8H ρ 70/50/20 S 0.25H