

**Order No.:** 51TS12DN48XFD | **GTIN (EAN):** 4058352418611

**Product description:** Lic11Pr,wd,8470lm840,DA2,IP50,L1500,wh



Licross® 11 Protected MO, luminaire insert, of sheet steel, galvanised, coil coated, white, length: 1.500mm, width: 90mm, height: 101mm, LED rated luminous flux: 8.470lm, light colour: 840, control gear: DALI 2, control gear: ECG DALI, with plug, 6-pole, with phase selection, mains connection: 220..240V, AC/DC, 0/50..60Hz, rated input power: 56W, without changeover relay, for emergency light function, for central battery installations according to DIN EN 60598-2-22, halogen-free wiring, primary optical cover: cover, of PMMA, light emission: direct distribution, primary light characteristic: symmetric, protection rating (complete): IP50, insulation class (complete): insulation class I (protective earthing), certification: CE, ENEC, VDE, UKCA, protection symbol: D if used in an environment without relevant dust loads with corresponding accessories, impact resistance: IK06, permissible ambient temperature for indoor applications: -25..+40°C, standard: EN 60598-2-22, reducing of maximum allowable ambient temperature of 5°C with ceiling mounting, corresponds to IFS (International Featured Standards) requirements for safety and quality in the food industry, LABS conformity tested according to VDMA 24364:2018-05, packaging unit: 1 piece



Lamps:	LED
Wt. (kg):	3.2
GTIN (EAN):	4058352418611



**Order No.:** 51TS12DN48XFD | **GTIN (EAN):** 4058352418611

**Detailed technical description:** Lic11Pr,wd,8470lm840,DA2,IP50,L1500,wh



#### Key data

- Product type: luminaire insert
- Product name: Licross® 11 Protected MO
- Order No.: 51TS12DN48XFD

#### Lighting technology | Lamps | Control gear

#### Component 1

#### Lighting technology:

- Cover: cover
- Beam angle: wide distribution
- Symmetry: symmetric
- Light emission: direct distribution
- UGR viewing direction along longitudinal luminaire axis:  $\leq 28$
- UGR viewing direction along lateral luminaire axis:  $\leq 25$

#### Lamps:

- Lamps: with LED
- Rated luminous flux: 8470lm
- Luminous efficacy: 151lm/W
- Colour temperature: 4000K
- Colour rendering index: CRI > 80
- Light colour: 840
- SDCM (Standard Deviation of Colour Matching): MacAdam  $\leq 3$  SDCM (initial)
- Rated input power: 56W
- Supplement: without changeover relay, for emergency light function, for central battery installations according to DIN EN 60598-2-22, halogen-free wiring

#### Operating device:

- Control gear: ECG DALI
- Control: DALI 2

#### Certificates, Standards

- Protection rating: IP50
- Insulation class: insulation class I (protective earthing)
- Impact resistance: IK06
- Protection symbol: D if used in an environment without relevant dust loads with corresponding accessories
- Temperature range (operation): -25..+40°C
- Supplement: corresponds to IFS (International Featured Standards) requirements for safety and quality in the food industry, reducing of maximum allowable ambient temperature of 5°C with ceiling mounting, LABS conformity tested according to VDMA 24364:2018-05
- Standard: EN 60598-2-22
- Certification, designation: CE, ENEC, VDE, UKCA

#### Material, Colour

- Licross® LED insert: sheet steel, galvanised, coil coated, white
- Colour specification: white
- Cover: cover of PMMA

#### Mounting

- Mounting method, mounting location: slip-in mounting, in the Licross® trunking rail
- Arrangement: single/continuous arrangement
- Supplement: only suitable for indoor use

#### Electrical connection

- Connection: plug, 6-pole, with phase selection
- Nominal voltage: 220..240V, 0/50..60Hz, AC/DC

#### Dimensions, Weight

- Length: 1500mm
- Width: 90mm
- Height: 101mm
- Weight: 3.2kg

#### Service life

- Rated service life: 100000h (L85/B50) at AT = 25°C

Order No.: 51TS12DN48XFD | GTIN (EAN): 4058352418611

Dimensions: Lic11Pr,wd,8470lm840,DA2,IP50,L1500,wh



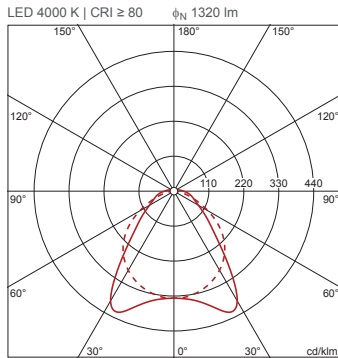
It is mandatory that the assembly instructions must be observed when planning and installing the electrical installation (to be found at [www.siteco.de](http://www.siteco.de))  
Tolerances related to thermal, electrical and photometric data according to IEC 62722  
Issued 01.03.2024 - Modifications and errors subject to change - Ensure that you always use the latest version -

**Order No.:** 51TS12DN48XFD | **GTIN (EAN):** 4058352418611

**Planning data:** Lic11Pr,wd,8470lm840,DA2,IP50,L1500,wh

**51TS12DN48XFD: 1x LED;  
emergency light operation  
rated luminous flux: DC  
mode (central or group  
accumulator) initial  
emergency light level**

4058352418611  
51TS12DN48XFD



$\phi_{\downarrow}$  97%  $\phi_{\uparrow}$  3%

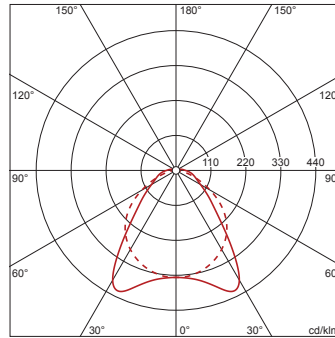
Luminance values (cd/m<sup>2</sup>)

	C 0/180	C 90/270
L <sub>80</sub>	1634	1440
L <sub>70</sub>	1485	2063
L <sub>65</sub>	1488	2430

UGR 18.5 18.7  
X 4H Y 8H  $\rho$  70/50/20 S 0.25H

**51TS12DN48XFD: 1x LED;  
factory setting AC mode: AC-  
mode**

4058352418611  
51TS12DN48XFD  
LED 4000 K | CRI ≥ 80  $\phi_N$  8470 lm



$\phi_{\downarrow}$  97%  $\phi_{\uparrow}$  3%

Luminance values (cd/m<sup>2</sup>)

	C 0/180	C 90/270
L <sub>80</sub>	10487	9238
L <sub>70</sub>	9528	13235
L <sub>65</sub>	9545	15594

UGR 25 25.2  
X 4H Y 8H  $\rho$  70/50/20 S 0.25H