

**Order No.:** 5WD36CDC2SN3 | **GTIN (EAN):** 4058352283400

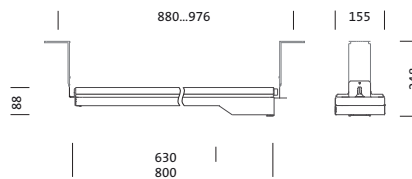
**Product description:** TL33md,13430lm740,DA,TSG



TL 33 midi, tunnel luminaire, primary optical cover: cover panel, of toughened safety glass, transparent, non-reflecting, light emission: direct distribution, primary light characteristic: symmetric, installation type: surface-mounted, connection on mains side, LED, 5-pole, max. 1.5mm<sup>2</sup> (3G+2), High Power LED, rated luminous flux: 13.430lm, luminous efficacy: 146lm/W, light colour: 740, colour temperature: 4000K, control gear: ECG DALI, with plug connection, mains connection: 220..240V, AC, 50/60Hz, connection cable plug integrated into luminaire housing at face end / socket provided on-site (Wieland RST: type 46.051.4553.1), rated input power: 92W, housing, of stainless steel 1.4404 (AISI316), etched and passivated, length: 800mm, width: 155mm, height: 88mm, heat sink, of Al Mg 2, protection rating (complete): IP66, insulation class (complete): insulation class I (protective earthing), certification: CE, ENEC, VDE, impact resistance: IK09, permissible operating ambient temperature: -25..+40°C, packaging unit: 1 piece



Lamps:	LED
Wt. (kg):	7.4
GTIN (EAN):	4058352283400



Order No.: 5WD36CDC2SN3 | GTIN (EAN): 4058352283400

Detailed technical description: TL33md,13430lm740,DA,TSG



#### Key data

- Product type: tunnel luminaire
- Product name: TL 33 midi
- Order No.: 5WD36CDC2SN3

#### Lighting technology | Lamps | Control gear

##### Component 1

#### Lighting technology:

- Cover: cover panel, transparent, non-reflecting
- Symmetry: symmetric distribution
- Light emission: direct distribution

#### Lamps:

- Lamps: with High Power LED, LED
- Rated luminous flux: 13430lm
- Luminous efficacy: 146lm/W
- Colour temperature: 4000K
- Colour rendering index: CRI > 70
- Light colour: 740
- SDCM (Standard Deviation of Colour Matching): MacAdam ≤ 5 SDCM (initial)
- Rated input power: 92W

#### Operating device:

- Control gear: ECG DALI
- Control: DALI

#### Certificates, Standards

- Protection rating: IP66
- Insulation class: insulation class I (protective earthing)
- Impact resistance: IK09
- Temperature range (operation): -25..+40°C
- Certification, designation: CE, ENEC, VDE

#### Material, Colour

- housing: stainless steel 1.4404 (AISI316), etched and passivated
- Cover: cover panel of toughened safety glass

#### Mounting

- Mounting method, mounting location: surface-mounted, to supporting structure, to the ceiling

#### Electrical connection

- Connection: plug connection
- Nominal voltage: 220..240V, 50/60Hz, AC
- Surge voltage resistance: 10kV 1.2/50µs
- Connection cable: plug integrated into luminaire housing at face end / socket provided on-site (Wieland RST: type 46.051.4553.1)

#### Dimensions, Weight

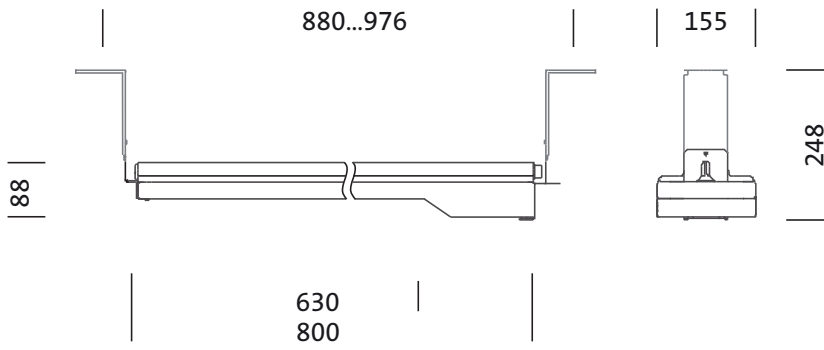
- Length: 800mm
- Width: 155mm
- Height: 88mm
- Weight: 7.4kg

#### Service life

- Rated service life: 100000h (L95/B10) at AT = 25°C

Order No.: 5WD36CDC2SN3 | GTIN (EAN): 4058352283400

Dimensions: TL33md,13430lm740,DA,TSG



It is mandatory that the assembly instructions must be observed when planning and installing the electrical installation (to be found at [www.siteco.de](http://www.siteco.de))  
Tolerances related to thermal, electrical and photometric data according to IEC 62722  
Issued 13.04.2024 - Modifications and errors subject to change - Ensure that you always use the latest version -

Order No.: 5WD36CDC2SN3 | GTIN (EAN): 4058352283400

Planning data: TL33md,13430lm740,DA,TSG

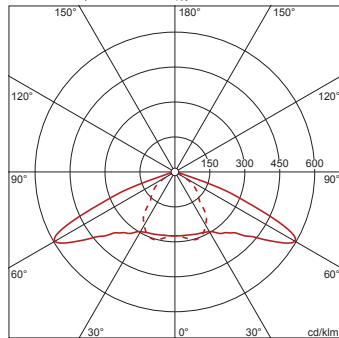
## 5WD36CDC2SN3: 1x LED

4058352283400

5WD36CDC2SN3

LED 4000 K | CRI  $\geq$  70

$\phi_N$  13430 lm



— C 0/180

- - - C 90/270

It is mandatory that the assembly instructions must be observed when planning and installing the electrical installation (to be found at [www.siteco.de](http://www.siteco.de))

Tolerances related to thermal, electrical and photometric data according to IEC 62722

Issued 13.04.2024 - Modifications and errors subject to change - Ensure that you always use the latest version -