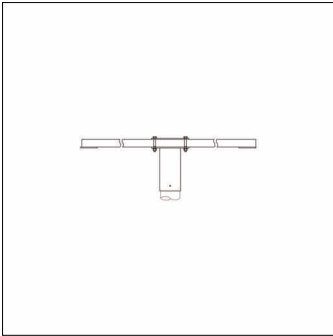


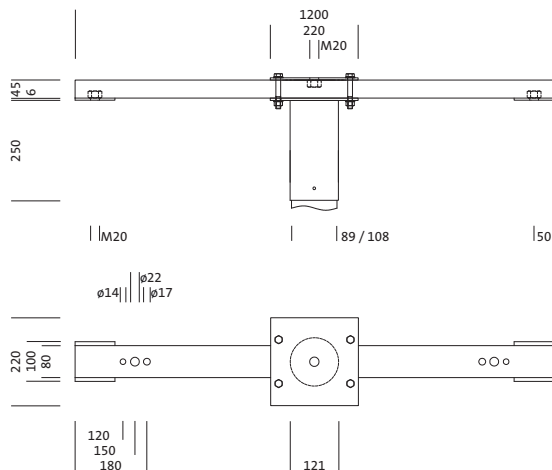
Order No.: 5NY76902XA31 | **GTIN (EAN):** 4058352144527

Product description: cross-arm,2/4f,Ø89-108,galv.st



Floodlight FL 11, Floodlight FL 21 midi mounting components group; mounting components group with 1x cross-arm for 2 or 4 floodlights of steel, galvanised, type 1: post-top, length: 1.200mm / spigot size: 89..108mm, industry, public (OL), stadion, sports, traffic, packaging unit: 1 piece

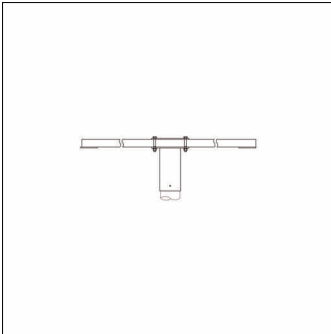
Wt. (kg): 15.6
 GTIN (EAN): 4058352144527



It is mandatory that the assembly instructions must be observed when planning and installing the electrical installation (to be found at www.siteco.de)
 Tolerances related to thermal, electrical and photometric data according to IEC 62722
 Issued 27.03.2026 - Modifications and errors subject to change - Ensure that you always use the latest version -

Order No.: 5NY76902XA31 | GTIN (EAN): 4058352144527

Detailed technical description: cross-arm,2/4f,Ø89-108,galv.st



Key data

- Product type: mounting components group
- Product name: Floodlight FL 21 midi, Floodlight FL 11
- Order No.: 5NY76902XA31

Material, Colour

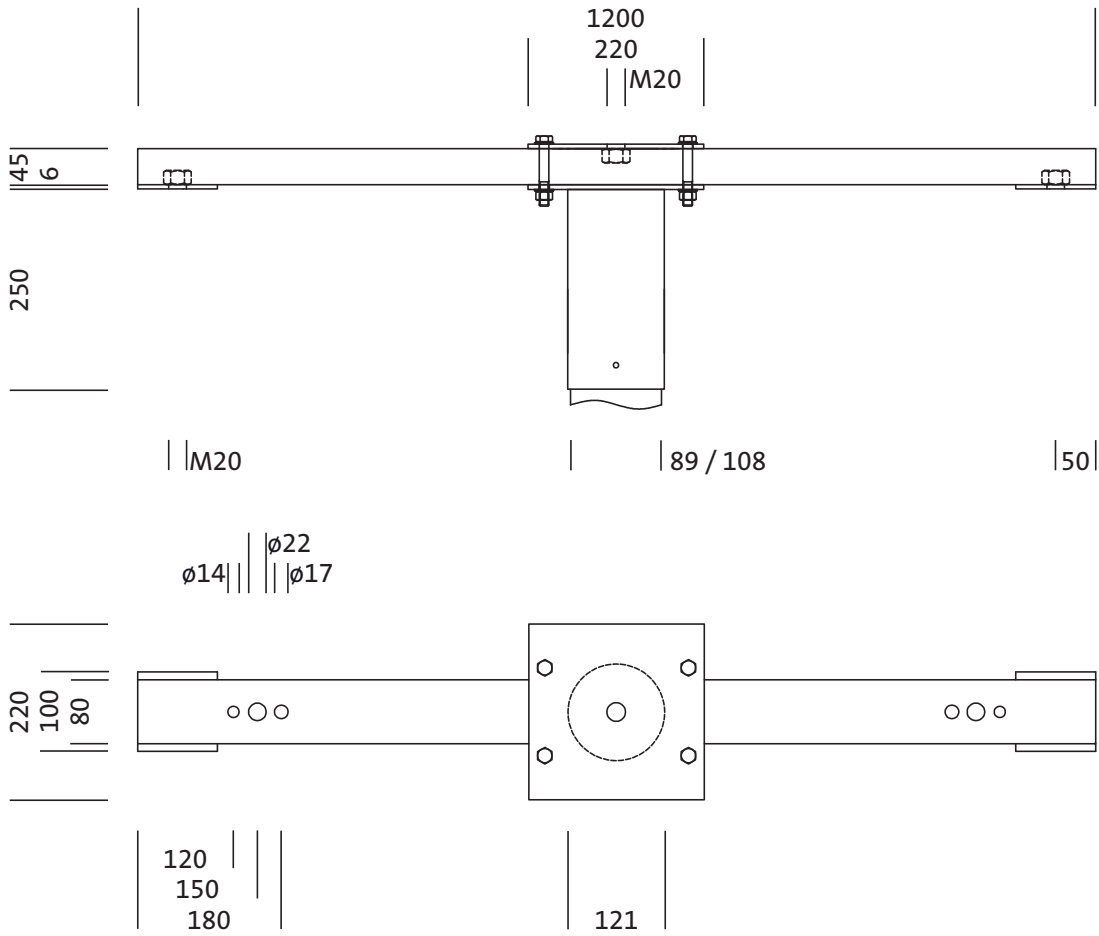
- cross-arm for 2 or 4 floodlights: steel, galvanised
- Quantity: 1 piece

Dimensions, Weight

- Length: 1200mm
- Weight: 15.6kg
- Mast spigot: spigot size: 89..108mm

Order No.: 5NY76902XA31 | GTIN (EAN): 4058352144527

Dimensions: cross-arm,2/4f,Ø89-108,galv.st



It is mandatory that the assembly instructions must be observed when planning and installing the electrical installation (to be found at www.siteco.de)
 Tolerances related to thermal, electrical and photometric data according to IEC 62722
 Issued 27.03.2026 - Modifications and errors subject to change - Ensure that you always use the latest version -