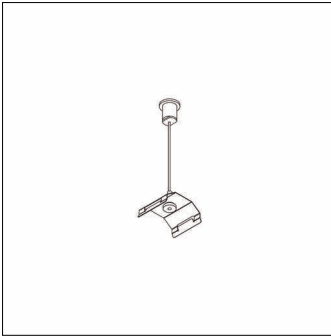


Order No.: 59MX300020X | **GTIN (EAN):** 4058352606001

Product description: Sil21,wiresusp.w.ceil.slee,1.2m

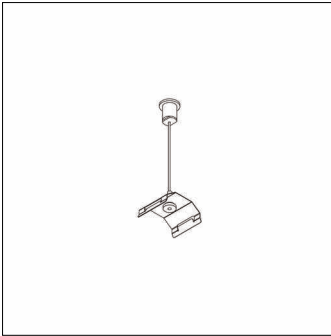


Silica® 21, wire suspension, ceiling sleeve, of steel, wire, of steel, galvanised,
packaging unit: 1 piece

Wt. (kg): 0.1
GTIN (EAN): 4058352606001

Order No.: 59MX300020X | GTIN (EAN): 4058352606001

Detailed technical description: Sil21,wiresusp.w.ceil.slee,1.2m



Key data

- Product type: wire suspension
- Product name: Silica® 21
- Order No.: 59MX300020X

Material, Colour

- ceiling sleeve: steel
- wire: steel, galvanised, wire, Ø 1.2mm

Mounting

- Recommended suspension height: up to 1.2m

Dimensions, Weight

- Weight: 0.1kg