

Order No.: 51HL61D14DCA | GTIN (EAN): 4058352348871

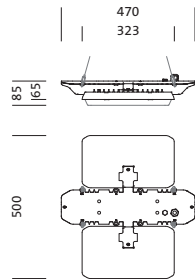
Product description: HB11,nrrw,9790lm840,DA



Highbay 11, LED high bay luminaire, primary light control with lens, of PMMA, light emission: direct distribution, primary light characteristic: symmetric, installation type: surface-mounted, suspended mounting, for 1x 2x LED, rated luminous flux: 9.790lm, luminous efficacy: 176lm/W, light colour: 840, colour temperature: 4000K, control gear: ECG DALI, with terminal, 5-pole, max. 2.5mm<sup>2</sup>, mains connection: 230..240V, AC, 50/60Hz, rated input power: 56W, LED unit, of diecast aluminium, coated, metallic grey (RAL 9006), length: 470mm, width: 500mm, height: 65mm, housing, of diecast aluminium, coated, metallic grey (RAL 9006), protection rating (complete): IP65, insulation class (complete): insulation class I (protective earthing), certification: CE, ENEC, VDE, UKCA, protection symbol: D, impact resistance: IK08 with glass or PC cover, permissible operating ambient temperature: -35..+70°C, corresponds to IFS (International Featured Standards) requirements for safety and quality in the food industry, reducing of maximum allowable ambient temperature of 5°C with ceiling mounting, packaging unit: 1 piece



Lamps:	1x 2x LED
Wt. (kg):	4.3
GTIN (EAN):	4058352348871



Order No.: 51HL61D14DCA | GTIN (EAN): 4058352348871

Detailed technical description: HB11,nrrw,9790lm840,DA



#### Key data

- Product type: LED high bay luminaire
- Product name: Highbay 11
- Order No.: 51HL61D14DCA

#### Lighting technology | Lamps | Control gear

##### Component 1

#### Lighting technology:

- Light control: lens of PMMA
- Beam angle: narrow distribution
- Symmetry: symmetric
- Light emission: direct distribution
- UGR viewing direction along longitudinal luminaire axis:  $\leq 22$
- UGR viewing direction along lateral luminaire axis:  $\leq 22$

#### Lamps:

- Lamps: with 1x 2x LED
- Rated luminous flux: 9790lm
- Luminous efficacy: 176lm/W
- Colour temperature: 4000K
- Colour rendering index: CRI > 80
- Light colour: 840
- SDCM (Standard Deviation of Colour Matching): MacAdam  $\leq 3$  SDCM (initial)
- Rated input power: 56W

#### Operating device:

- Control gear: ECG DALI
- Control: DALI

#### Certificates, Standards

- Protection rating: IP65
- Insulation class: insulation class I (protective earthing)
- Impact resistance: IK08 with glass or PC cover
- Protection symbol: D
- Temperature range (operation): -35..+70°C
- Supplement: corresponds to IFS (International Featured Standards) requirements for safety and quality in the food industry, reducing of maximum allowable ambient temperature of 5°C with ceiling mounting
- Certification, designation: CE, ENEC, VDE, UKCA

#### Material, Colour

- LED unit: diecast aluminium, coated, metallic grey (RAL 9006)
- Quantity: 2 piece
- Colour specification: metallic grey (RAL 9006)
- housing: diecast aluminium, coated, metallic grey (RAL 9006)
- Quantity: 1 piece
- Colour specification: metallic grey (RAL 9006)

#### Mounting

- Mounting method, mounting location: suspended mounting, surface-mounted, to wire, to the ceiling, to the chain
- Mounting height: 6..20m
- Arrangement: single arrangement
- Supplement: only suitable for indoor use, mounting accessories required, please order separately

#### Electrical connection

- Connection: terminal, 5-pole, max. 2.5mm<sup>2</sup>
- Nominal voltage: 230..240V, 50/60Hz, AC

#### Dimensions, Weight

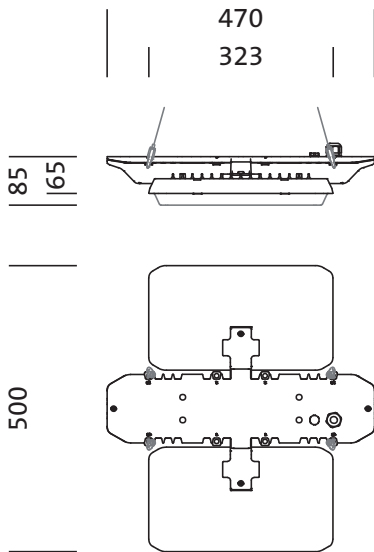
- Length: 470mm
- Width: 500mm
- Height: 65mm
- Weight: 4.3kg

#### Service life

- Rated service life: 70000h (L90/B50) at AT = 25°C, 50000h (L90/B50) at AT = ta max

Order No.: 51HL61D14DCA | GTIN (EAN): 4058352348871

Dimensions: HB11,nrrw,9790lm840,DA



Order No.: 51HL61D14DCA | GTIN (EAN): 4058352348871

Planning data: HB11,nrrw,9790lm840,DA

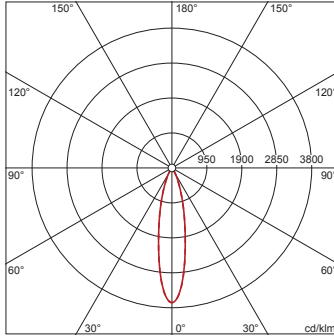
## 51HL61D14DCA: 1x LED

4058352348871

51HL61D14DCA

LED 4000 K | CRI ≥ 80

$\phi_N$  9790 lm



$\phi_{\downarrow}$  100%  $\phi_{\uparrow}$  0%

Luminance values (cd/m<sup>2</sup>)

	C 0/180	C 90/270
L <sub>80</sub>	3781	6395
L <sub>70</sub>	7893	5976
L <sub>65</sub>	8150	5920

UGR 19.3 18.8

X 4H Y 8H  $\rho$  70/50/20 S 0.25H

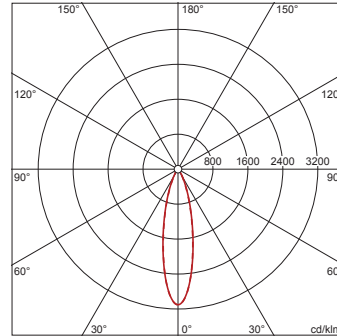
## 51HL61D14DCA + 59HL91001: 1x LED

4058352348871 + 4058352323519

51HL61D14DCA + 59HL91001

LED 4000 K | CRI ≥ 80

$\phi_N$  9450 lm



$\phi_{\downarrow}$  100%  $\phi_{\uparrow}$  0%

Luminance values (cd/m<sup>2</sup>)

	C 0/180	C 90/270
L <sub>80</sub>	3160	5355
L <sub>70</sub>	8538	7309
L <sub>65</sub>	9877	7695

UGR 20.1 19.7

X 4H Y 8H  $\rho$  70/50/20 S 0.25H