

Order No.: 51DH11B74FG22 | **GTIN (EAN):** 4058352107287

Product description: Lun11mnRdSp,rec,nrrw,3240lm840,0/1,5p,sr



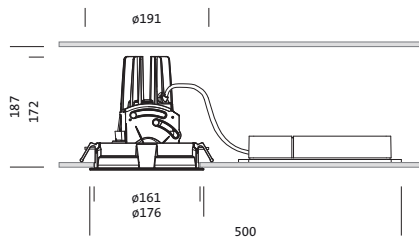
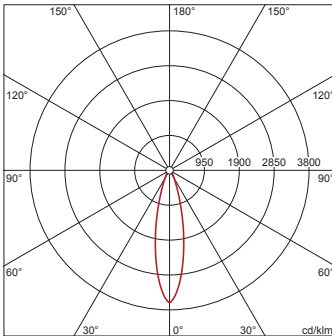
Lunis 11 mini round, Spot, downlight, LED rated luminous flux: 3.240lm, light colour: 840, with terminal, 5-pole, mains connection: 220..230V, AC, 50/60Hz, LED module, luminaire module, of diecast aluminium, coated, silver, diameter: 176mm, clamping range: 1..40mm, recessing ring, round, of PC, traffic white (RAL 9016), protection rating (complete): IP20, insulation class (complete): insulation class II (safety insulation), certification: CE, permissible ambient temperature for indoor applications: 0..+35°C, packaging unit: 1 piece

IP 20  

Lamps: LED
 Wt. (kg): 0.9
 GTIN (EAN): 4058352107287

4058352107287
 51DH11B74FG22

LED 4000K / CRI ≥ 80 ϕ_{N} 3240 lm



It is mandatory that the assembly instructions must be observed when planning and installing the electrical installation (to be found at www.siteco.de)

Tolerances related to thermal, electrical and photometric data according to IEC 62722

Issued 25.02.2023 - Modifications and errors subject to change - Ensure that you always use the latest version -

Order No.: 51DH11B74FG22 | GTIN (EAN): 4058352107287

Detailed technical description: Lun11mnRdSp,rec,nrrw,3240lm840,0/1,5p,sr



Key data

- Product type: downlight
- Product name: Lunis 11 mini round Spot
- Order No.: 51DH11B74FG22

Lighting technology | Lamps | Control gear

Component 1

Lighting technology:

- Beam angle: narrow distribution
- UGR viewing direction along lateral luminaire axis: ≤ 19

Lamps:

- Lamps: with LED
- Rated luminous flux: 3240lm
- Luminous efficacy: 92lm/W
- Colour temperature: 4000K
- Colour rendering index: CRI > 80
- Light colour: 840
- SDCM (Standard Deviation of Colour Matching): MacAdam ≤ 3 SDCM (initial)
- Rated input power: 35W

Operating device:

- Control: ON/OFF

Certificates, Standards

- Protection rating: IP20
- Insulation class: insulation class II (safety insulation)
- Temperature range (operation): 0..+35°C
- Certification, designation: CE

Material, Colour

- LED module: diecast aluminium, coated, silver
- luminaire module: diecast aluminium, coated, silver
- Colour specification: silver
- recessing ring: PC, traffic white (RAL 9016), round
- Colour specification: traffic white (RAL 9016)

Mounting

- Mounting method, mounting location: recessed, in the ceiling
- \varnothing of ceiling cut-out: 162mm
- Clamping range: 1..40mm
- Arrangement: single arrangement

Electrical connection

- Connection: terminal, 5-pole
- Nominal voltage: 220..230V, 50/60Hz, AC

Dimensions, Weight

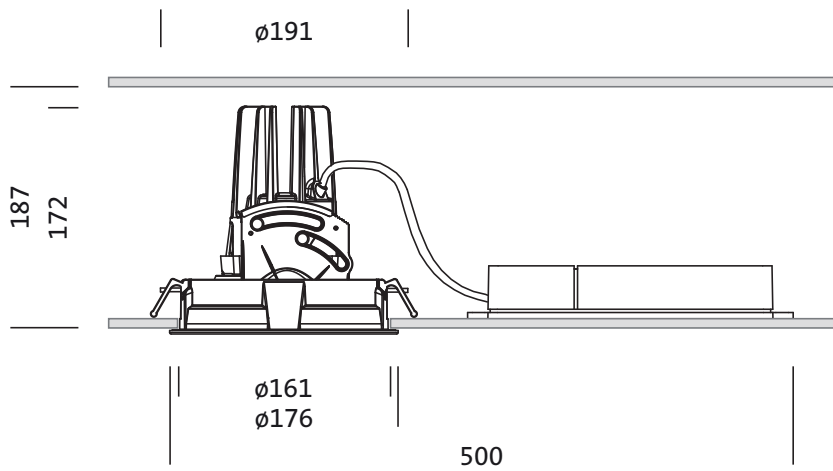
- Diameter: 176mm
- Height: 175mm
- Weight: 0.9kg

Service life

- Rated service life: 50000h (L85/B50) at AT = 25°C

Order No.: 51DH11B74FG22 | GTIN (EAN): 4058352107287

Dimensions: Lun11mnRdSp,rec,nrrw,3240lm840,0/1,5p,sr



It is mandatory that the assembly instructions must be observed when planning and installing the electrical installation (to be found at www.siteco.de)

Tolerances related to thermal, electrical and photometric data according to IEC 62722

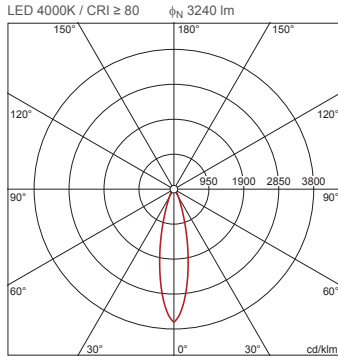
Issued 25.02.2023 - Modifications and errors subject to change - Ensure that you always use the latest version -

Order No.: 51DH11B74FG22 | GTIN (EAN): 4058352107287

Planning data: Lun11mnRdSp,rec,nrrw,3240lm840,0/1,5p,sr

**51DH11B74FG22: 1x LED
4000K / CRI ≥ 80**

4058352107287
51DH11B74FG22



I_{max} 3605 cd/klm at γ 0°

Luminance values (cd/m²)

C 0/180
L80 0
L70 0
L65 0

UGR 15.3 15.3
X 4H Y 8H ρ 70/50/20 S 0.25H

H(m)	ϕ (m)	$E_{max}(lx)$	$E_m(lx)$
2	0.87	2920	2236
3	1.31	1298	994
4	1.74	730	559
5	2.18	467	358
6	2.62	324	248

No. of luminaires in room
Reflection factors 70/50/20

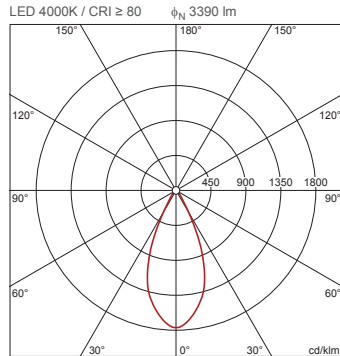
$E_m(lx)$	100	200	500
Lh(m)	2.5 3.0	2.5 3.0	2.5 3.0
20 m ²	0.6 0.7	1.2 1.3	2.9 3.3
30 m ²	1.6 1.3	3.1 2.7	7.8 6.7
40 m ²	1.7 1.6	3.4 3.1	8.4 7.8
50 m ²	2.2 2.0	4.4 4.0	11 10
75 m ²	3.7 3.2	7.4 6.4	19 16
100 m ²	4.2 3.8	8.3 7.6	21 19
500 m ²	20 18	39 36	99 91

Maintenance factor 0.8

Rh = Lh

**51DH11B74FG22 +
59DL1L0000G0000D0: 1x
LED 4000K / CRI ≥ 80**

4058352107287 + 4058352030165
51DH11B74FG22 + 59DL1L0000G0000D0



I_{max} 1764 cd/klm at γ 0°

Luminance values (cd/m²)

C 0/180
L80 0
L70 0
L65 0

UGR 15.2 15.2
X 4H Y 8H ρ 70/50/20 S 0.25H

H(m)	ϕ (m)	$E_{max}(lx)$	$E_m(lx)$
2	1.66	1495	1129
3	2.49	665	502
4	3.31	374	282
5	4.14	239	181
6	4.97	166	125

No. of luminaires in room

Reflection factors 70/50/20

$E_m(lx)$	100	200	500
Lh(m)	2.5 3.0	2.5 3.0	2.5 3.0
20 m ²	0.7 0.7	1.3 1.5	3.3 3.6
30 m ²	1.1 1.0	2.2 2.0	5.5 5.1
40 m ²	1.4 1.4	2.7 2.8	6.8 7.0
50 m ²	1.7 1.7	3.5 3.4	8.6 8.5
75 m ²	2.7 2.5	5.3 4.9	13 12
100 m ²	3.3 3.4	6.7 6.7	17 17
500 m ²	16 16	32 33	81 81

Maintenance factor 0.8

Rh = Lh

It is mandatory that the assembly instructions must be observed when planning and installing the electrical installation (to be found at www.siteco.de)

Tolerances related to thermal, electrical and photometric data according to IEC 62722

Issued 25.02.2023 - Modifications and errors subject to change - Ensure that you always use the latest version -