

Order No.: 51DH11CD3FG22 | **GTIN (EAN):** 4058352107980

Product description: Lun11mnRdSp,rec,nrrw,2760lm840,DA,5p,sr

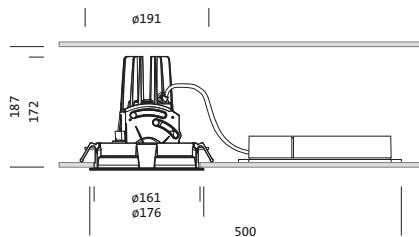
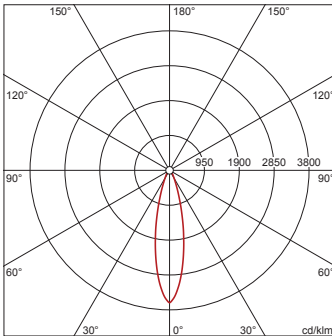


Lunis 11 mini round, Spot, downlight, LED rated luminous flux: 2.760lm, light colour: 840, with terminal, 5-pole, mains connection: 220..230V, AC, 50/60Hz, LED module, luminaire module, of diecast aluminium, coated, silver, diameter: 176mm, clamping range: 1..40mm, recessing ring, round, of PC, traffic white (RAL 9016), protection rating (complete): IP20, insulation class (complete): insulation class II (safety insulation), certification: CE, permissible ambient temperature for indoor applications: 0..+35°C, packaging unit: 1 piece

IP 20

Lamps: LED
 Wt. (kg): 0.9
 GTIN (EAN): 4058352107980

4058352107980
 51DH11CD3FG22
 LED 4000K / CRI ≥ 80 ϕ_N 2760 lm



It is mandatory that the assembly instructions must be observed when planning and installing the electrical installation (to be found at www.siteco.de)
 Tolerances related to thermal, electrical and photometric data according to IEC 62722
 Issued 25.02.2023 - Modifications and errors subject to change - Ensure that you always use the latest version -

Order No.: 51DH11CD3FG22 | GTIN (EAN): 4058352107980

Detailed technical description: Lun11mnRdSp,rec,nrrw,2760lm840,DA,5p,sr



Key data

- Product type: downlight
- Product name: Lunis 11 mini round Spot
- Order No.: 51DH11CD3FG22

Lighting technology | Lamps | Control gear

Component 1

Lighting technology:

- Beam angle: narrow distribution
- UGR viewing direction along lateral luminaire axis: ≤ 19

Lamps:

- Lamps: with High Power LED, LED
- Rated luminous flux: 2760lm
- Luminous efficacy: 101lm/W
- Colour temperature: 4000K
- Colour rendering index: CRI > 80
- Light colour: 840
- SDCM (Standard Deviation of Colour Matching): MacAdam ≤ 3 SDCM (initial)
- Rated input power: 27W

Operating device:

- Control: DALI

Certificates, Standards

- Protection rating: IP20
- Insulation class: insulation class II (safety insulation)
- Temperature range (operation): 0..+35°C
- Certification, designation: CE

Material, Colour

- LED module: diecast aluminium, coated, silver
- luminaire module: diecast aluminium, coated, silver
- Colour specification: silver
- recessing ring: PC, traffic white (RAL 9016), round
- Colour specification: traffic white (RAL 9016)

Mounting

- Mounting method, mounting location: recessed, in the ceiling
- \varnothing of ceiling cut-out: 162mm
- Clamping range: 1..40mm
- Arrangement: single arrangement

Electrical connection

- Connection: terminal, 5-pole
- Nominal voltage: 220..230V, 50/60Hz, AC

Dimensions, Weight

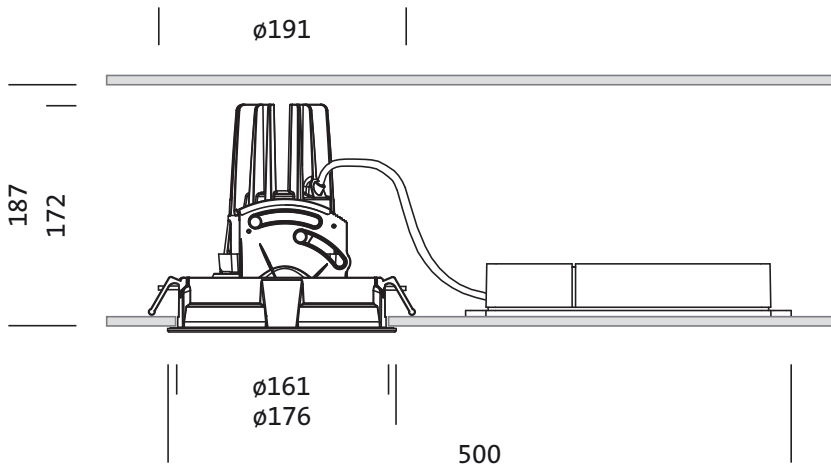
- Diameter: 176mm
- Height: 175mm
- Weight: 0.9kg

Service life

- Rated service life: 50000h (L85/B50) at AT = 25°C

Order No.: 51DH11CD3FG22 | GTIN (EAN): 4058352107980

Dimensions: Lun11mnRdSp,rec,nrrw,2760lm840,DA,5p,sr



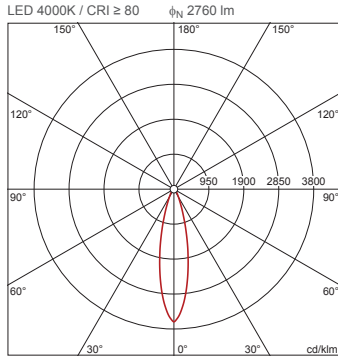
It is mandatory that the assembly instructions must be observed when planning and installing the electrical installation (to be found at www.siteco.de)
Tolerances related to thermal, electrical and photometric data according to IEC 62722
Issued 25.02.2023 - Modifications and errors subject to change - Ensure that you always use the latest version -

Order No.: 51DH11CD3FG22 | GTIN (EAN): 4058352107980

Planning data: Lun11mnRdSp,rec,nrrw,2760lm840,DA,5p,sr

**51DH11CD3FG22: 1x LED
4000K / CRI ≥ 80**

4058352107980
51DH11CD3FG22



I_{max} 3605 cd/klm at γ 0°

Luminance values (cd/m²)

C 0/180	
L80	0
L70	0
L65	0

UGR 14.8 14.8
X 4H Y 8H ρ 70/50/20 S 0.25H

H(m)	ϕ (m)	E_{max} (lx)	E_m (lx)
2	0.87	2487	1905
3	1.31	1105	846
4	1.74	622	476
5	2.18	398	305
6	2.62	276	212

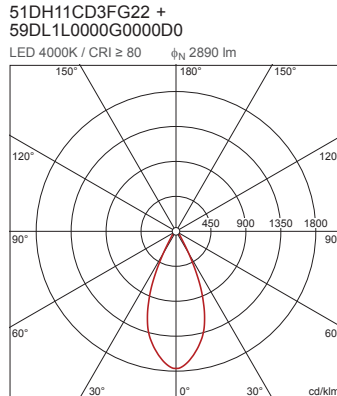
No. of luminaires in room

Reflection factors	70/50/20					
	100		200		500	
Lh(m)	2.5	3.0	2.5	3.0	2.5	3.0
20 m ²	0.7	0.8	1.4	1.6	3.4	3.9
30 m ²	1.8	1.6	3.7	3.2	9.2	7.9
40 m ²	2.0	1.8	4.0	3.7	9.9	9.2
50 m ²	2.6	2.4	5.2	4.7	13	12
75 m ²	4.4	3.7	8.7	7.5	22	19
100 m ²	4.9	4.5	9.8	9.0	24	22
500 m ²	23	21	46	43	116	106

Maintenance factor 0.8 Rh = Lh

**51DH11CD3FG22 +
59DL1L0000G0000D0: 1x
LED 4000K / CRI ≥ 80**

4058352107980 + 4058352030165



I_{max} 1764 cd/klm at γ 0°

Luminance values (cd/m²)

C 0/180	
L80	0
L70	0
L65	0

UGR 14.6 14.6
X 4H Y 8H ρ 70/50/20 S 0.25H

H(m)	ϕ (m)	E_{max} (lx)	E_m (lx)
2	1.66	1275	962
3	2.49	567	428
4	3.31	319	241
5	4.14	204	154
6	4.97	142	107

No. of luminaires in room

Reflection factors	70/50/20					
	100		200		500	
Lh(m)	2.5	3.0	2.5	3.0	2.5	3.0
20 m ²	0.8	0.9	1.6	1.7	3.9	4.3
30 m ²	1.3	1.2	2.6	2.4	6.5	6.0
40 m ²	1.6	1.6	3.2	3.3	8.0	8.2
50 m ²	2.0	2.0	4.0	4.0	10	10.0
75 m ²	3.1	2.9	6.3	5.8	16	15
100 m ²	3.9	3.9	7.8	7.9	20	20
500 m ²	19	19	38	38	95	96

Maintenance factor 0.8 Rh = Lh

It is mandatory that the assembly instructions must be observed when planning and installing the electrical installation (to be found at www.siteco.de)

Tolerances related to thermal, electrical and photometric data according to IEC 62722

Issued 25.02.2023 - Modifications and errors subject to change - Ensure that you always use the latest version -