

Order No.: 51DH11B72FG22 | GTIN (EAN): 4058352107744

Product description: Lun11mnRdSp,rec,nrrw,1980lm840,0/1,5p,sr



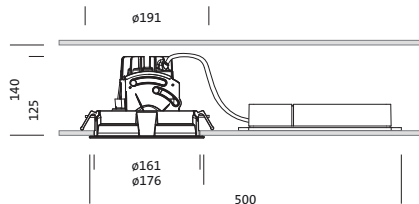
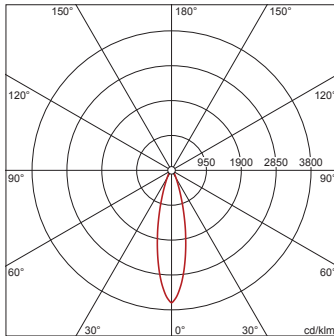
Lunis 11 mini round, Spot, downlight, LED rated luminous flux: 1.980lm, light colour: 840, with terminal, 5-pole, mains connection: 220..230V, AC, 50/60Hz, LED module, luminaire module, of diecast aluminium, coated, silver, diameter: 176mm, clamping range: 1..40mm, recessing ring, round, of PC, traffic white (RAL 9016), protection rating (complete): IP20, insulation class (complete): insulation class II (safety insulation), certification: CE, permissible ambient temperature for indoor applications: 0..+35°C, packaging unit: 1 piece

IP 20  

Lamps: LED  
 Wt. (kg): 0.7  
 GTIN (EAN): 4058352107744

4058352107744  
 51DH11B72FG22

LED 4000K / CRI ≥ 80  $\phi_{\text{N}}$  1980 lm



It is mandatory that the assembly instructions must be observed when planning and installing the electrical installation (to be found at [www.siteco.de](http://www.siteco.de))

Tolerances related to thermal, electrical and photometric data according to IEC 62722

Issued 25.02.2023 - Modifications and errors subject to change - Ensure that you always use the latest version -

Order No.: 51DH11B72FG22 | GTIN (EAN): 4058352107744

Detailed technical description: Lun11mnRdSp,rec,nrrw,1980lm840,0/1,5p,sr



#### Key data

- Product type: downlight
- Product name: Lunis 11 mini round Spot
- Order No.: 51DH11B72FG22

#### Lighting technology | Lamps | Control gear

#### Component 1

#### Lighting technology:

- Beam angle: narrow distribution
- UGR viewing direction along lateral luminaire axis:  $\leq 19$

#### Lamps:

- Lamps: with High Power LED, LED
- Rated luminous flux: 1980lm
- Luminous efficacy: 102lm/W
- Colour temperature: 4000K
- Colour rendering index: CRI > 80
- Light colour: 840
- SDCM (Standard Deviation of Colour Matching): MacAdam  $\leq 3$  SDCM (initial)
- Rated input power: 19W

#### Operating device:

- Control: ON/OFF

#### Certificates, Standards

- Protection rating: IP20
- Insulation class: insulation class II (safety insulation)
- Temperature range (operation): 0..+35°C
- Certification, designation: CE

#### Material, Colour

- LED module: diecast aluminium, coated, silver
- luminaire module: diecast aluminium, coated, silver
- Colour specification: silver
- recessing ring: PC, traffic white (RAL 9016), round
- Colour specification: traffic white (RAL 9016)

#### Mounting

- Mounting method, mounting location: recessed, in the ceiling
- $\varnothing$  of ceiling cut-out: 162mm
- Clamping range: 1..40mm
- Arrangement: single arrangement

#### Electrical connection

- Connection: terminal, 5-pole
- Nominal voltage: 220..230V, 50/60Hz, AC

#### Dimensions, Weight

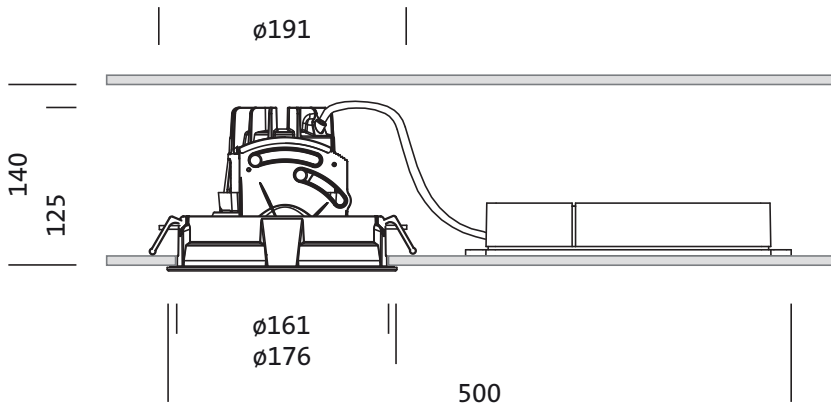
- Diameter: 176mm
- Height: 125mm
- Weight: 0.7kg

#### Service life

- Rated service life: 50000h (L85/B50) at AT = 25°C

Order No.: 51DH11B72FG22 | GTIN (EAN): 4058352107744

Dimensions: Lun11mnRdSp,rec,nrrw,1980lm840,0/1,5p,sr



It is mandatory that the assembly instructions must be observed when planning and installing the electrical installation (to be found at [www.siteco.de](http://www.siteco.de))

Tolerances related to thermal, electrical and photometric data according to IEC 62722

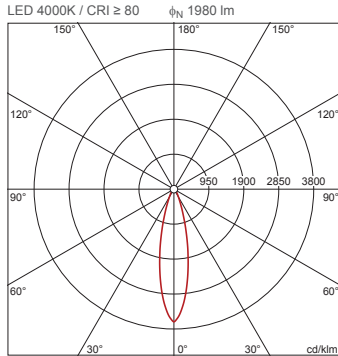
Issued 25.02.2023 - Modifications and errors subject to change - Ensure that you always use the latest version -

Order No.: 51DH11B72FG22 | GTIN (EAN): 4058352107744

Planning data: Lun11mnRdSp,rec,nrrw,1980lm840,0/1,5p,sr

**51DH11B72FG22: 1x LED  
4000K / CRI ≥ 80**

4058352107744  
51DH11B72FG22



$I_{max}$  3605 cd/klm at  $\gamma$  0°

Luminance values (cd/m²)

	C 0/180
L80	0
L70	0
L65	0

UGR 13.6 13.6  
X 4H Y 8H  $\rho$  70/50/20 S 0.25H

H(m)	$\phi$ (m)	$E_{max}(lx)$	$E_m(lx)$
2	0.87	1784	1366
3	1.31	793	607
4	1.74	446	342
5	2.18	285	219
6	2.62	198	152

No. of luminaires in room  
Reflection factors 70/50/20

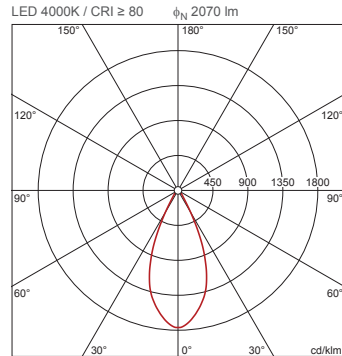
$E_m(lx)$	100		200		500	
Lh(m)	2.5	3.0	2.5	3.0	2.5	3.0
20 m²	0.9	1.1	1.9	2.2	4.7	5.4
30 m²	2.6	2.2	5.1	4.4	13	11
40 m²	2.8	2.6	5.5	5.1	14	13
50 m²	3.6	3.3	7.3	6.6	18	16
75 m²	6.1	5.2	12	10	30	26
100 m²	6.8	6.2	14	12	34	31
500 m²	32	30	65	59	161	148

Maintenance factor 0.8

Rh = Lh

**51DH11B72FG22 +  
59DL1L0000G0000D0: 1x  
LED 4000K / CRI ≥ 80**

4058352107744 + 4058352030165  
51DH11B72FG22 + 59DL1L0000G0000D0



$I_{max}$  1764 cd/klm at  $\gamma$  0°

Luminance values (cd/m²)

	C 0/180
L80	0
L70	0
L65	0

UGR 13.5 13.5  
X 4H Y 8H  $\rho$  70/50/20 S 0.25H

H(m)	$\phi$ (m)	$E_{max}(lx)$	$E_m(lx)$
2	1.66	913	689
3	2.49	406	306
4	3.31	228	172
5	4.14	146	110
6	4.97	101	77

No. of luminaires in room

Reflection factors 70/50/20		100		200		500	
Lh(m)	2.5	3.0	2.5	3.0	2.5	3.0	3.0
20 m²	1.1	1.2	2.2	2.4	5.4	6.0	6.0
30 m²	1.8	1.7	3.6	3.4	9.0	8.4	8.4
40 m²	2.2	2.3	4.5	4.6	11	11	11
50 m²	2.8	2.8	5.7	5.6	14	14	14
75 m²	4.4	4.1	8.7	8.1	22	20	20
100 m²	5.5	5.5	11	11	27	28	28
500 m²	26	27	53	53	132	133	133

Maintenance factor 0.8

Rh = Lh

It is mandatory that the assembly instructions must be observed when planning and installing the electrical installation (to be found at [www.siteco.de](http://www.siteco.de))

Tolerances related to thermal, electrical and photometric data according to IEC 62722

Issued 25.02.2023 - Modifications and errors subject to change - Ensure that you always use the latest version -