

Order No.: 51DH11B74FF22 | **GTIN (EAN):** 4058352107294

Product description: Lun11mnRdSp,rec,nrrw,3220lm830,0/1,5p,sr



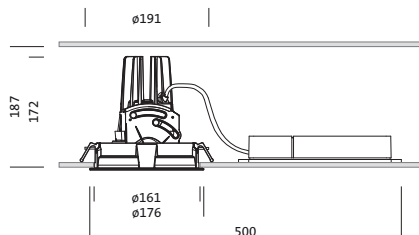
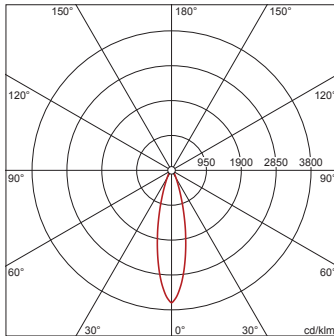
Lunis 11 mini round, Spot, downlight, LED rated luminous flux: 3.220lm, light colour: 830, with terminal, 5-pole, mains connection: 220..230V, AC, 50/60Hz, LED module, luminaire module, of diecast aluminium, coated, silver, diameter: 176mm, clamping range: 1..40mm, recessing ring, round, of PC, traffic white (RAL 9016), protection rating (complete): IP20, insulation class (complete): insulation class II (safety insulation), certification: CE, permissible ambient temperature for indoor applications: 0..+35°C, packaging unit: 1 piece

IP 20  

Lamps: LED
 Wt. (kg): 0.9
 GTIN (EAN): 4058352107294

4058352107294
 51DH11B74FF22

LED 3000K / CRI ≥ 80 ϕ_N 3220 lm



It is mandatory that the assembly instructions must be observed when planning and installing the electrical installation (to be found at www.siteco.de)

Tolerances related to thermal, electrical and photometric data according to IEC 62722

Issued 25.02.2023 - Modifications and errors subject to change - Ensure that you always use the latest version -

Order No.: 51DH11B74FF22 | GTIN (EAN): 4058352107294

Detailed technical description: Lun11mnRdSp,rec,nrrw,3220lm830,0/1,5p,sr



Key data

- Product type: downlight
- Product name: Lunis 11 mini round Spot
- Order No.: 51DH11B74FF22

Lighting technology | Lamps | Control gear

Component 1

Lighting technology:

- Beam angle: narrow distribution
- UGR viewing direction along lateral luminaire axis: ≤ 19

Lamps:

- Lamps: with High Power LED, LED
- Rated luminous flux: 3220lm
- Luminous efficacy: 93lm/W
- Colour temperature: 3000K
- Colour rendering index: CRI > 80
- Light colour: 830
- SDCM (Standard Deviation of Colour Matching): MacAdam ≤ 3 SDCM (initial)
- Rated input power: 35W

Operating device:

- Control: ON/OFF

Certificates, Standards

- Protection rating: IP20
- Insulation class: insulation class II (safety insulation)
- Temperature range (operation): 0..+35°C
- Certification, designation: CE

Material, Colour

- LED module: diecast aluminium, coated, silver
- luminaire module: diecast aluminium, coated, silver
- Colour specification: silver
- recessing ring: PC, traffic white (RAL 9016), round
- Colour specification: traffic white (RAL 9016)

Mounting

- Mounting method, mounting location: recessed, in the ceiling
- \varnothing of ceiling cut-out: 162mm
- Clamping range: 1..40mm
- Arrangement: single arrangement

Electrical connection

- Connection: terminal, 5-pole
- Nominal voltage: 220..230V, 50/60Hz, AC

Dimensions, Weight

- Diameter: 176mm
- Height: 175mm
- Weight: 0.9kg

Service life

- Rated service life: 50000h (L85/B50) at AT = 25°C

Order No.: 51DH11B74FF22 | GTIN (EAN): 4058352107294

Dimensions: Lun11mnRdSp,rec,nrrw,3220lm830,0/1,5p,sr



It is mandatory that the assembly instructions must be observed when planning and installing the electrical installation (to be found at www.siteco.de)

Tolerances related to thermal, electrical and photometric data according to IEC 62722

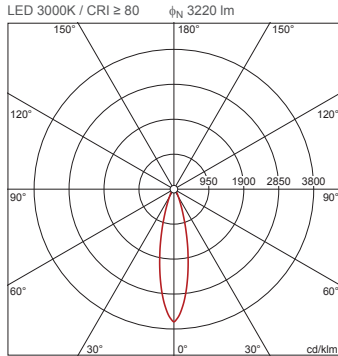
Issued 25.02.2023 - Modifications and errors subject to change - Ensure that you always use the latest version -

Order No.: 51DH11B74FF22 | GTIN (EAN): 4058352107294

Planning data: Lun11mnRdSp,rec,nrrw,3220lm830,0/1,5p,sr

**51DH11B74FF22: 1x LED
3000K / CRI ≥ 80**

4058352107294
51DH11B74FF22



I_{max} 3605 cd/klm at γ 0°

Luminance values (cd/m²)

C 0/180
L80 0
L70 0
L65 0

UGR 15.3 15.3
X 4H Y 8H ρ 70/50/20 S 0.25H

H(m)	ϕ (m)	E_{max} (lx)	E_m (lx)
2	0.87	2902	2222
3	1.31	1290	988
4	1.74	725	556
5	2.18	464	356
6	2.62	322	247

No. of luminaires in room
Reflection factors 70/50/20

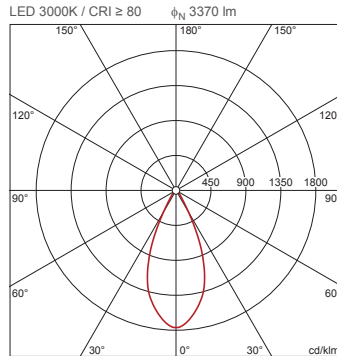
E_m (lx)	100		200		500	
Lh(m)	2.5	3.0	2.5	3.0	2.5	3.0
20 m ²	0.6	0.7	1.2	1.3	2.9	3.3
30 m ²	1.6	1.4	3.1	2.7	7.9	6.8
40 m ²	1.7	1.6	3.4	3.2	8.5	7.9
50 m ²	2.2	2.0	4.5	4.0	11	10
75 m ²	3.7	3.2	7.5	6.4	19	16
100 m ²	4.2	3.8	8.4	7.7	21	19
500 m ²	20	18	40	36	99	91

Maintenance factor 0.8

Rh = Lh

**51DH11B74FF22 +
59DL1L0000G0000D0: 1x
LED 3000K / CRI ≥ 80**

4058352107294 + 4058352030165
51DH11B74FF22 + 59DL1L0000G0000D0



I_{max} 1764 cd/klm at γ 0°

Luminance values (cd/m²)

C 0/180
L80 0
L70 0
L65 0

UGR 15.2 15.2
X 4H Y 8H ρ 70/50/20 S 0.25H

H(m)	ϕ (m)	E_{max} (lx)	E_m (lx)
2	1.66	1487	1122
3	2.49	661	499
4	3.31	372	280
5	4.14	238	179
6	4.97	165	125

No. of luminaires in room

E_m (lx)	100		200		500	
Lh(m)	2.5	3.0	2.5	3.0	2.5	3.0
20 m ²	0.7	0.7	1.3	1.5	3.3	3.7
30 m ²	1.1	1.0	2.2	2.1	5.5	5.2
40 m ²	1.4	1.4	2.7	2.8	6.8	7.0
50 m ²	1.7	1.7	3.5	3.4	8.7	8.6
75 m ²	2.7	2.5	5.4	5.0	13	12
100 m ²	3.4	3.4	6.7	6.8	17	17
500 m ²	16	16	32	33	81	82

Maintenance factor 0.8

Rh = Lh

It is mandatory that the assembly instructions must be observed when planning and installing the electrical installation (to be found at www.siteco.de)

Tolerances related to thermal, electrical and photometric data according to IEC 62722

Issued 25.02.2023 - Modifications and errors subject to change - Ensure that you always use the latest version -