

Order No.: 51DH11CD1FG22 | **GTIN (EAN):** 4058352106884

Product description: Lun11mnRdSp,rec,nrrw,1110lm840,DA,5p,sr



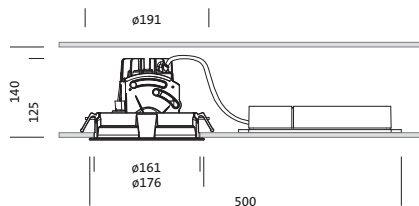
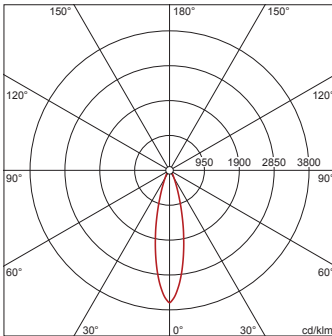
Lunis 11 mini round, Spot, downlight, LED rated luminous flux: 1.110lm, light colour: 840, with terminal, 5-pole, mains connection: 220..230V, AC, 50/60Hz, LED module, luminaire module, of diecast aluminium, coated, silver, diameter: 176mm, clamping range: 1..40mm, recessing ring, round, of PC, traffic white (RAL 9016), protection rating (complete): IP20, insulation class (complete): insulation class II (safety insulation), certification: CE, permissible ambient temperature for indoor applications: 0..+35°C, packaging unit: 1 piece

IP 20  

Lamps: LED
 Wt. (kg): 0.7
 GTIN (EAN): 4058352106884

4058352106884
 51DH11CD1FG22

LED 4000K / CRI ≥ 80 ϕ_{N} 1110 lm



It is mandatory that the assembly instructions must be observed when planning and installing the electrical installation (to be found at www.siteco.de)

Tolerances related to thermal, electrical and photometric data according to IEC 62722

Issued 03.03.2023 - Modifications and errors subject to change - Ensure that you always use the latest version -

Order No.: 51DH11CD1FG22 | GTIN (EAN): 4058352106884

Detailed technical description: Lun11mnRdSp,rec,nrrw,1110lm840,DA,5p,sr



Key data

- Product type: downlight
- Product name: Lunis 11 mini round Spot
- Order No.: 51DH11CD1FG22

Lighting technology | Lamps | Control gear

Component 1

Lighting technology:

- Beam angle: narrow distribution
- UGR viewing direction along lateral luminaire axis: ≤ 19

Lamps:

- Lamps: with High Power LED, LED
- Rated luminous flux: 1110lm
- Luminous efficacy: 107lm/W
- Colour temperature: 4000K
- Colour rendering index: CRI > 80
- Light colour: 840
- SDCM (Standard Deviation of Colour Matching): MacAdam ≤ 3 SDCM (initial)
- Rated input power: 10W

Operating device:

- Control: DALI

Certificates, Standards

- Protection rating: IP20
- Insulation class: insulation class II (safety insulation)
- Temperature range (operation): 0..+35°C
- Certification, designation: CE

Material, Colour

- LED module: diecast aluminium, coated, silver
- luminaire module: diecast aluminium, coated, silver
- Colour specification: silver
- recessing ring: PC, traffic white (RAL 9016), round
- Colour specification: traffic white (RAL 9016)

Mounting

- Mounting method, mounting location: recessed, in the ceiling
- \varnothing of ceiling cut-out: 162mm
- Clamping range: 1..40mm
- Arrangement: single arrangement

Electrical connection

- Connection: terminal, 5-pole
- Nominal voltage: 220..230V, 50/60Hz, AC

Dimensions, Weight

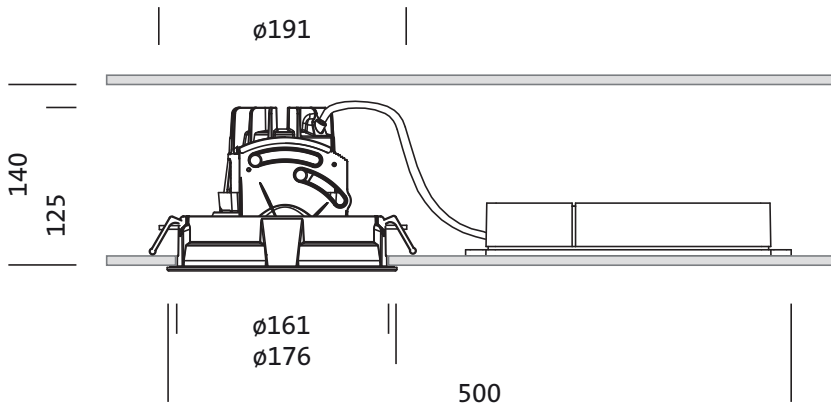
- Diameter: 176mm
- Height: 125mm
- Weight: 0.7kg

Service life

- Rated service life: 50000h (L85/B50) at AT = 25°C

Order No.: 51DH11CD1FG22 | GTIN (EAN): 4058352106884

Dimensions: Lun11mnRdSp,rec,nrrw,1110lm840,DA,5p,sr



It is mandatory that the assembly instructions must be observed when planning and installing the electrical installation (to be found at www.siteco.de)

Tolerances related to thermal, electrical and photometric data according to IEC 62722

Issued 03.03.2023 - Modifications and errors subject to change - Ensure that you always use the latest version -

Order No.: 51DH11CD1FG22 | GTIN (EAN): 4058352106884

Planning data: Lun11mnRdSp,rec,nrrw,1110lm840,DA,5p,sr

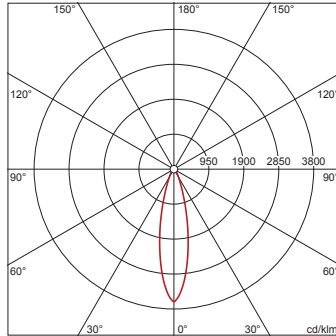
**51DH11CD1FG22: 1x LED
4000K / CRI ≥ 80**

4058352106884

51DH11CD1FG22

LED 4000K / CRI ≥ 80

φ_N 1110 lm



I_{max} 3605 cd/klm at γ 0°

Luminance values (cd/m²)

C 0/180
L ₈₀ 0
L ₇₀ 0
L ₆₅ 0

UGR 11.6 11.6
X 4H Y 8H ρ 70/50/20 S 0.25H

H(m)	φ(m)	E _{max} (lx)	E _m (lx)
2	0.87	1000	766
3	1.31	445	340
4	1.74	250	191
5	2.18	160	123
6	2.62	111	85

No. of luminaires in room

Reflection factors 70/50/20

Em(lx)	100		200		500	
	Lh(m)	2.5	3.0	2.5	3.0	2.5
20 m ²	1.7	1.9	3.4	3.9	8.4	9.7
30 m ²	4.6	3.9	9.1	7.9	23	20
40 m ²	4.9	4.6	9.8	9.2	25	23
50 m ²	6.5	5.9	13	12	32	29
75 m ²	11	9.3	22	19	54	47
100 m ²	12	11	24	22	61	56
500 m ²	58	53	115	106	288	265

Maintenance factor 0.8

Rh = Lh

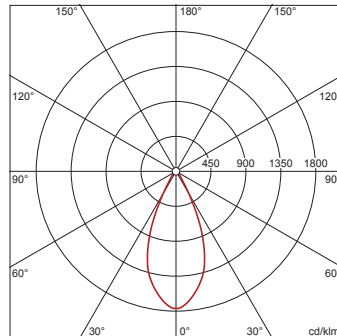
**51DH11CD1FG22 +
59DL1L0000G0000D0: 1x
LED 4000K / CRI ≥ 80**

4058352106884 + 4058352030165

51DH11CD1FG22 +
59DL1L0000G0000D0

LED 4000K / CRI ≥ 80

φ_N 1160 lm



I_{max} 1764 cd/klm at γ 0°

Luminance values (cd/m²)

C 0/180
L ₈₀ 0
L ₇₀ 0
L ₆₅ 0

UGR 11.5 11.5
X 4H Y 8H ρ 70/50/20 S 0.25H

H(m)	φ(m)	E _{max} (lx)	E _m (lx)
2	1.66	512	386
3	2.49	227	172
4	3.31	128	97
5	4.14	82	62
6	4.97	57	43

No. of luminaires in room

Reflection factors 70/50/20

Em(lx)	100		200		500	
	Lh(m)	2.5	3.0	2.5	3.0	2.5
20 m ²	1.9	2.1	3.9	4.3	9.7	11
30 m ²	3.2	3.0	6.4	6.0	16	15
40 m ²	4.0	4.1	7.9	8.2	20	20
50 m ²	5.0	5.0	10	10.0	25	25
75 m ²	7.8	7.2	16	14	39	36
100 m ²	9.8	9.8	20	20	49	49
500 m ²	47	48	94	95	236	238

Maintenance factor 0.8

Rh = Lh

It is mandatory that the assembly instructions must be observed when planning and installing the electrical installation (to be found at www.siteco.de)

Tolerances related to thermal, electrical and photometric data according to IEC 62722

Issued 03.03.2023 - Modifications and errors subject to change - Ensure that you always use the latest version -