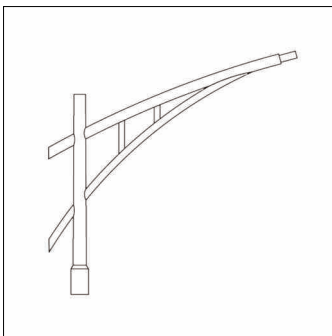


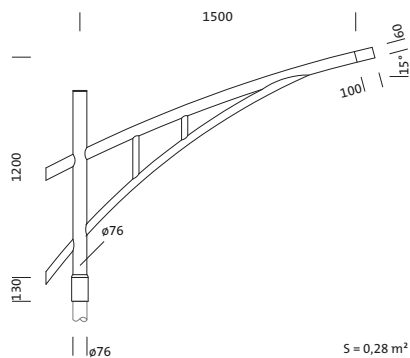
Order No.: 5NY0410M115E8 | GTIN (EAN): 4039806806314

Product description: Donau, mast arm, design arm, of steel, galvanised and coated, Siteco®



metallic grey (DB 702S), 1-arm, spigot size: 76mm (post-top), bracket dimensions: 1.500mm, packaging unit: 1 piece

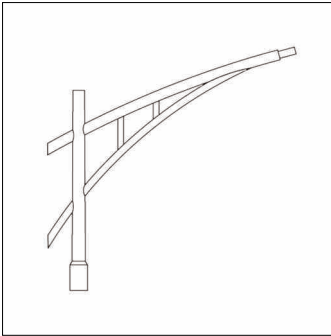
Wt. (kg): 22.0
GTIN (EAN): 4039806806314



It is mandatory that the assembly instructions must be observed when planning and installing the electrical installation (to be found at www.siteco.de)
Tolerances related to thermal, electrical and photometric data according to IEC 62722
Issued 24.02.2023 - Modifications and errors subject to change - Ensure that you always use the latest version -

Order No.: 5NY0410M115E8 | GTIN (EAN): 4039806806314

Detailed technical description: Donau,mastarmØ76,1arm,L1500Ø60,galv



Key data

- Product type: mast arm
- Product name: Donau
- Order No.: 5NY0410M115E8

Material, Colour

- design arm: steel, galvanised and coated, Siteco® metallic grey (DB 702S)
- Colour specification: Siteco® metallic grey (DB 702S)

Dimensions, Weight

- Weight: 22.0kg
- Mast spigot: spigot size: 76mm

Order No.: 5NY0410M115E8 | GTIN (EAN): 4039806806314

Dimensions: Donau, mastarm $\varnothing 76$, 1 arm, L1500 $\varnothing 60$, galv

