

**Order No.:** 5XA7100W5ZS00100XX | **GTIN (EAN):** 4058352448861

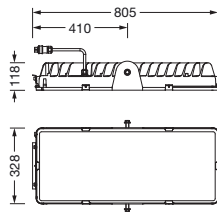
**Product description:** Sirius500,LH,AREA-PL52,55860lm957,p-red



Sirius® 500, luminaire head, primary light control with lens, of glass, primary optical cover: cover, of toughened safety glass, transparent, light distribution: AREA-PL52, light emission: direct distribution, primary light characteristic: asymmetric, installation type: screw fastening, LED, High Power LED, rated luminous flux: 55.860lm, luminous efficacy: 113lm/W, light colour: 957, colour temperature: 5700K, with cable with plug, mains connection: 220..240V, AC, 50/60Hz, cable length: 1,5m, rated input power: 493W, of diecast aluminium, powder-coated, Siteco® metallic grey (DB 702S), length: 792mm, width: 330mm, height: 126mm, protection rating (complete): IP66, insulation class (complete): insulation class I (protective earthing), certification: CE, ENEC, impact resistance: IK10, permissible operating ambient temperature for outdoor applications: in indoor areas: -30..+45°C, permissible storage temperature: -40..+80°C, packaging unit: 1 piece



Lamps:	LED
Wt. (kg):	16.0
GTIN (EAN):	4058352448861



**Order No.:** 5XA7100W5ZS00100XX | **GTIN (EAN):** 4058352448861

**Detailed technical description:** Sirius500,LH,AREA-PL52,55860lm957,p-red



#### Key data

- Product type: luminaire head
- Product name: Sirius® 500
- Order No.: 5XA7100W5ZS00100XX

#### Lighting technology | Lamps | Control gear

#### Component 1

#### Lighting technology:

- Light control: lens of glass
- Cover: cover, transparent
- Light distribution: AREA-PL52
- Symmetry: asymmetric distribution
- Light emission: direct distribution

#### Lamps:

- Lamps: with High Power LED, LED
- Rated luminous flux: 55860lm
- Luminous efficacy: 113lm/W
- Colour temperature: 5700K
- Colour rendering index: CRI > 95
- Light colour: 957
- TLCI (Television Light Consistency Index): TLCI ≥ 96
- Rated input power: 493W
- Supplement: dimming range 5..100% per LED segment

#### Operating device:

- Control: power reduction, DALI

#### Certificates, Standards

- Protection rating: IP66
- Insulation class: insulation class I (protective earthing)
- Impact resistance: IK10
- Temperature range (operation): in indoor areas: -30..+45°C
- Certification, designation: CE, ENEC

#### Material, Colour

- Colour specification: Siteco® metallic grey (DB 702S)
- Cover: cover of toughened safety glass

#### Mounting

- Mounting method, mounting location: screw fastening, to mounting bracket

#### Electrical connection

- Connection: cable with plug
- Nominal voltage: 220..240V, 50/60Hz, AC

#### Dimensions, Weight

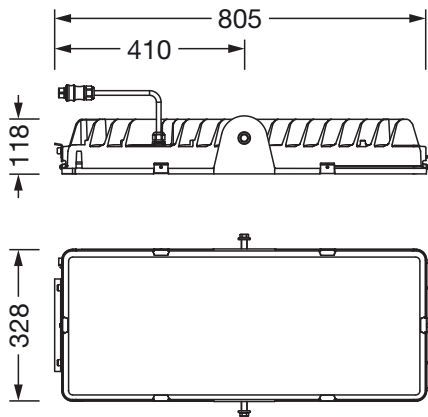
- Length: 792mm
- Width: 330mm
- Height: 126mm
- Weight: 16.0kg

#### Service life

- Rated service life: 50000h (L90/B50) at AT = 25°C, 10000h (L97/B50) at AT = 25°C

Order No.: 5XA7100W5ZS00100XX | GTIN (EAN): 4058352448861

Dimensions: Sirius500,LH,AREA-PL52,55860lm957,p-red



It is mandatory that the assembly instructions must be observed when planning and installing the electrical installation (to be found at [www.siteco.de](http://www.siteco.de))  
Tolerances related to thermal, electrical and photometric data according to IEC 62722  
Issued 22.04.2023 - Modifications and errors subject to change - Ensure that you always use the latest version -