

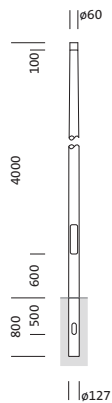
Order No.: 5NY231640KM08 | GTIN (EAN): 4039806381262

**Product description:** mast,con.rd,steel,powd,DB702S,4m,Ø60



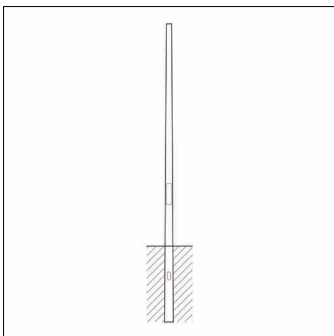
mast, mast, conical round, of steel, powder-coated, Siteco® metallic grey (DB 702S), height: 4.0m, spigot size: 60mm (post-top), planted section: h= 800mm / Ø= 127mm, standard: DIN EN 40, packaging unit: 1 piece

Wt. (kg): 33.0  
GTIN (EAN): 4039806381262



Order No.: 5NY231640KM08 | GTIN (EAN): 4039806381262

Detailed technical description: mast,con.rd,steel,powd,DB702S,4m,Ø60



#### Key data

- Product type: mast
- Product name: mast
- Order No.: 5NY231640KM08

#### Certificates, Standards

- Standard: DIN EN 40

#### Material, Colour

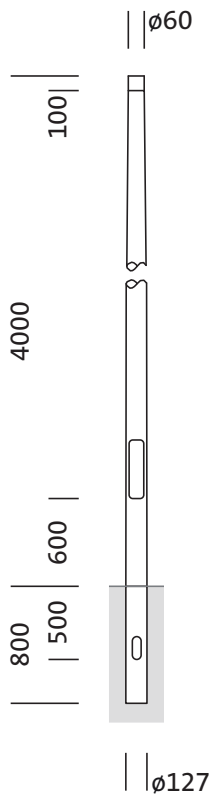
- mast: steel, powder-coated, Siteco® metallic grey (DB 702S), conical round
- Colour specification: Siteco® metallic grey (DB 702S)

#### Dimensions, Weight

- Height: 4.0m
- Weight: 33.0kg
- Mast spigot: spigot size: 60mm
- Planted section: h= 800mm / Ø= 127mm

Order No.: 5NY231640KM08 | GTIN (EAN): 4039806381262

Dimensions: mast,con.rd,steel,powd,DB702S,4m,Ø60



It is mandatory that the assembly instructions must be observed when planning and installing the electrical installation (to be found at [www.siteco.de](http://www.siteco.de))

Tolerances related to thermal, electrical and photometric data according to IEC 62722

Issued 22.12.2023 - Modifications and errors subject to change - Ensure that you always use the latest version -