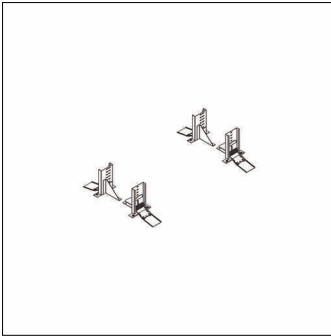


Order No.: 5MQ90040XC | GTIN (EAN): 4058352261927

Product description: rap.m.brack,galv.sh.st

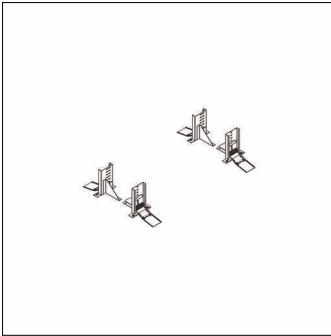


Apollon® 2, rapid mounting bracket, installation type: recessed, rapid mounting bracket, of sheet steel, galvanised, packaging unit: set of 4

Wt. (kg): 0.7
GTIN (EAN): 4058352261927

Order No.: 5MQ90040XC | GTIN (EAN): 4058352261927

Detailed technical description: rap.m.brack,galv.sh.st



Key data

- Product type: rapid mounting bracket
- Product name: Apollon® 2
- Order No.: 5MQ90040XC

Material, Colour

- rapid mounting bracket: sheet steel, galvanised

Mounting

- Mounting method, mounting location: recessed, to the luminaire
- Supplement: for cut ceiling apertures

Dimensions, Weight

- Weight: 0.7kg