

Order No.: 5MN238DLE | **GTIN (EAN):** 4050737964188

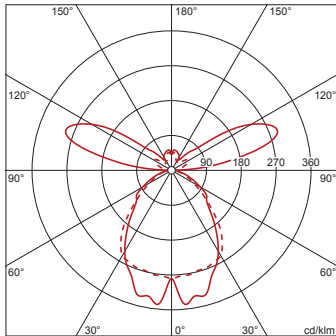
Product description: Vega11,8130lm840,DA



Vega 11, office luminaire, primary light control with prismatic reflector, of PMMA, transparent prismatic structure, CAT 2 ($L \leq 1500 \text{cd/m}^2$), light emission: direct/indirect distribution, primary light characteristic: symmetric, installation type: suspended mounting, surface-mounted, LED, rated luminous flux: 8.130lm, luminous efficacy: 131lm/W, light colour: 840, colour temperature: 4000K, control gear: DALI, with terminal, 3+2-pole, max. 2.5mm², mains connection: 230V, AC, 50Hz, connection cable inclusive, cable length: 1,5m, rated input power: 62W, luminaire housing, rectangular, rounded, of aluminium section, anodised, metallic grey (RAL 9006), length: 1.250mm, width: 350mm, height: 43mm, luminaire housing, lower part, of aluminium section, anodised, metallic grey (RAL 9006), of PC, grey, protection rating (complete): IP20, insulation class (complete): insulation class I (protective earthing), certification: CE, standard: EN 50419, packaging unit: 1 piece

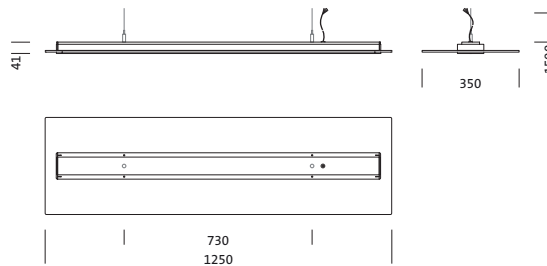
4050737964188
5MN238DLE

LED 4000K / CRI \geq 80 ϕ_{N} 8130 lm



IP 20

Lamps: LED
Wt. (kg): 7.2
GTIN (EAN): 4050737964188



Order No.: 5MN238DLE | **GTIN (EAN):** 4050737964188

Detailed technical description: Vega11,8130lm840,DA



Key data

- Product type: office luminaire
- Product name: Vega 11
- Order No.: 5MN238DLE

Lighting technology | Lamps | Control gear

Component 1

Lighting technology:

- Light control: prismatic reflector of PMMA, transparent prismatic structure
- Symmetry: symmetric
- Light emission: direct/indirect distribution, 60:40
- UGR viewing direction along longitudinal luminaire axis: ≤ 16
- UGR viewing direction along lateral luminaire axis: ≤ 16

Lamps:

- Lamps: with LED
- Rated luminous flux: 8130lm
- Luminous efficacy: 131lm/W
- Colour temperature: 4000K
- Colour rendering index: CRI > 80
- Light colour: 840
- Rated input power: 62W

Operating device:

- Control gear: ECG
- Control: DALI

Certificates, Standards

- Protection rating: IP20
- Insulation class: insulation class I (protective earthing)
- Standard: EN 50419
- Certification, designation: CE

Material, Colour

- luminaire housing: aluminium section, anodised, metallic grey (RAL 9006), rectangular, rounded
- luminaire housing, lower part: aluminium section, anodised, metallic grey (RAL 9006)

Mounting

- Mounting method, mounting location: suspended mounting, surface-mounted
- Arrangement: single arrangement

Electrical connection

- Connection: terminal, 3+2-pole, max. 2.5mm²
- Nominal voltage: 230V, 220..240V, 50Hz, AC
- Connection cable: inclusive, L= 1.5m

Dimensions, Weight

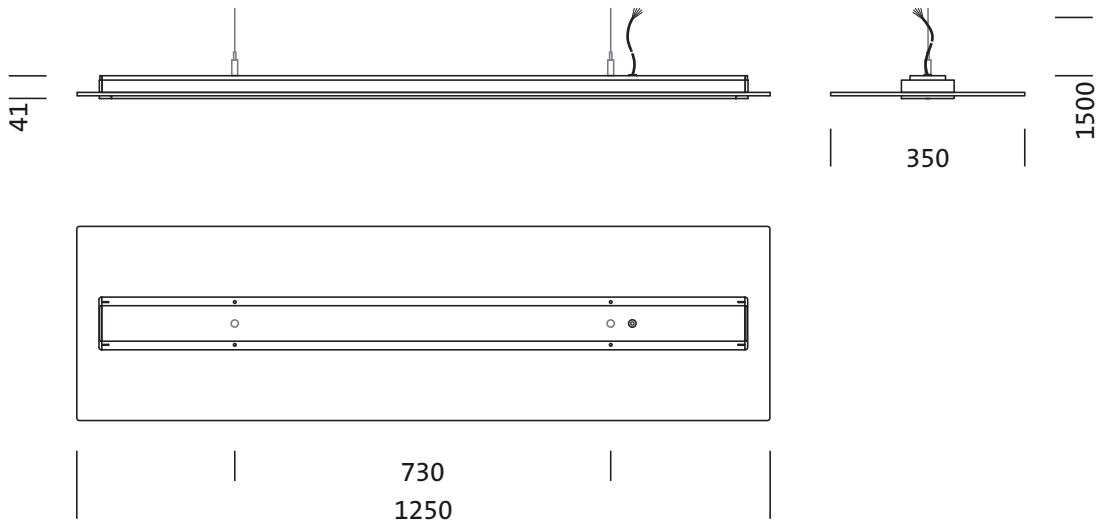
- Length: 1250mm
- Width: 350mm
- Height: 43mm
- Weight: 7.2kg

Service life

- Rated service life: 50000h (L80/B50) at AT = 25°C

Order No.: 5MN238DLE | GTIN (EAN): 4050737964188

Dimensions: Vega11,8130lm840,DA



It is mandatory that the assembly instructions must be observed when planning and installing the electrical installation (to be found at www.siteco.de)
Tolerances related to thermal, electrical and photometric data according to IEC 62722
Issued 15.05.2026 - Modifications and errors subject to change - Ensure that you always use the latest version -

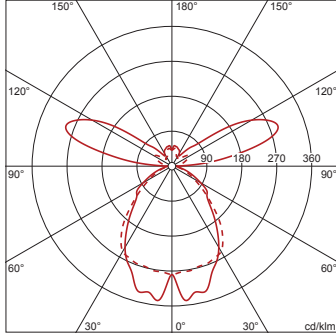
Order No.: 5MN238DLE | **GTIN (EAN):** 4050737964188

Planning data: Vega11,8130lm840,DA

5MN238DLE: 1x LED 4000K / CRI ≥ 80

4050737964188
5MN238DLE

LED 4000K / CRI ≥ 80 ϕ_N 8130 lm



No. of luminaires in room
Reflection factors 70/50/20

Em(lx)	100		200		500	
Lh(m)	2.5	3.0	2.5	3.0	2.5	3.0
20 m ²	0.5	0.5	0.9	1.0	2.3	2.6
30 m ²	0.7	0.7	1.3	1.5	3.4	3.7
40 m ²	0.8	0.9	1.7	1.8	4.2	4.6
50 m ²	1.0	1.1	2.0	2.2	5.0	5.4
75 m ²	1.5	1.6	3.0	3.1	7.4	7.8
100 m ²	1.9	2.0	3.8	4.0	9.5	10
500 m ²	8.4	8.7	17	17	42	43

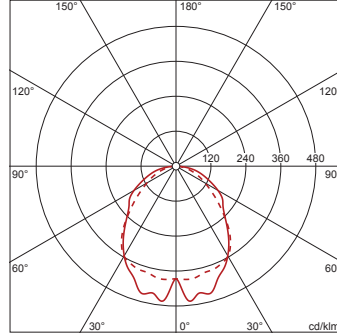
Maintenance factor 0.8

Rh = Lh + 0.5 m

5MN238DLE + 5MN91401: 1x LED 4000K / CRI ≥ 80

4050737964188 + 4050737754987
5MN238DLE + 5MN91401

LED 4000K / CRI ≥ 80 ϕ_N 7910 lm



No. of luminaires in room
Reflection factors 70/50/20

Em(lx)	100		200		500	
Lh(m)	2.5	3.0	2.5	3.0	2.5	3.0
20 m ²	0.4	0.4	0.7	0.9	1.9	2.1
30 m ²	0.6	0.6	1.1	1.2	2.8	3.1
40 m ²	0.7	0.8	1.4	1.6	3.5	3.9
50 m ²	0.9	0.9	1.7	1.9	4.3	4.6
75 m ²	1.3	1.3	2.5	2.7	6.3	6.7
100 m ²	1.6	1.7	3.2	3.4	8.1	8.6
500 m ²	7.4	7.6	15	15	37	38

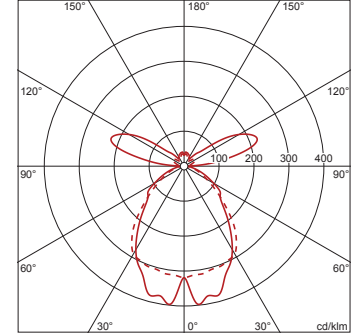
Maintenance factor 0.8

Rh = Lh

5MN238DLE + 5MN91402: 1x LED 4000K / CRI ≥ 80

4050737964188 + 4050737755007
5MN238DLE + 5MN91402

LED 4000K / CRI ≥ 80 ϕ_N 8030 lm



No. of luminaires in room
Reflection factors 70/50/20

Em(lx)	100		200		500	
Lh(m)	2.5	3.0	2.5	3.0	2.5	3.0
20 m ²	0.4	0.5	0.9	1.0	2.1	2.4
30 m ²	0.6	0.7	1.3	1.4	3.2	3.5
40 m ²	0.8	0.9	1.6	1.7	4.0	4.4
50 m ²	1.0	1.0	1.9	2.1	4.8	5.2
75 m ²	1.4	1.5	2.9	3.0	7.2	7.5
100 m ²	1.8	1.9	3.7	3.9	9.2	9.7
500 m ²	8.2	8.4	16	17	41	42

Maintenance factor 0.8

Rh = Lh + 0.5 m

It is mandatory that the assembly instructions must be observed when planning and installing the electrical installation (to be found at www.siteco.de)

Tolerances related to thermal, electrical and photometric data according to IEC 62722

Issued 15.05.2026 - Modifications and errors subject to change - Ensure that you always use the latest version -