

Order No.: 51DJ11B71WF21 | **GTIN (EAN):** 4058352105450

Product description: Lun11mcRd,rec,spec,1320lm830,0/1,3p,wh

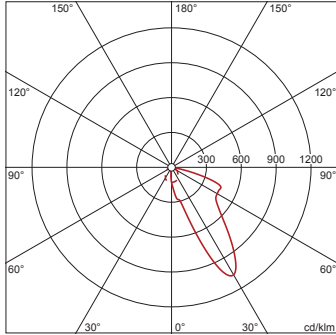


Lunis 11 micro round, downlight, light control with wallwasher, of highly reflective aluminium, highly specular, light emission: direct distribution, LED rated luminous flux: 1.320lm, light colour: 830, with terminal, 3-pole, mains connection: 220..230V, AC, 50/60Hz, LED module, of aluminium, highly specular, white, diameter: 114mm, clamping range: 1..40mm, recessing ring, of plastic, traffic white (RAL 9016), protection rating (complete): IP20, insulation class (complete): insulation class II (safety insulation), certification: CE, permissible ambient temperature for indoor applications: 0..+35°C, packaging unit: 1 piece

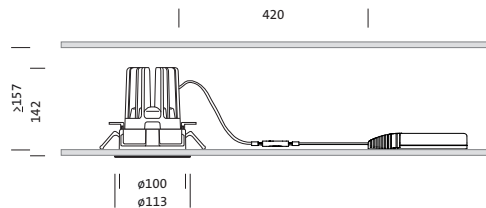
IP 20  

4058352105450
51DJ11B71WF21

LED 3000K / CRI ≥ 80 Φ_N 1320 lm



Lamps: LED
Wt. (kg): 0.5
GTIN (EAN): 4058352105450



Order No.: 51DJ11B71WF21 | **GTIN (EAN):** 4058352105450

Detailed technical description: Lun11mcRd,rec,spec,1320lm830,0/1,3p,wh



Key data

- Product type: downlight
- Product name: Lunis 11 micro round
- Order No.: 51DJ11B71WF21

Lighting technology | Lamps | Control gear

Component 1

Lighting technology:

- Light control: wallwasher of highly reflective aluminium, highly specular
- Symmetry: asymmetric distribution
- Light emission: direct distribution

Lamps:

- Lamps: with LED
- Rated luminous flux: 1320lm
- Luminous efficacy: 67lm/W
- Colour temperature: 3000K
- Colour rendering index: CRI > 80
- Light colour: 830
- SDCM (Standard Deviation of Colour Matching): MacAdam ≤ 3 SDCM (initial)
- Rated input power: 20W

Operating device:

- Control: ON/OFF

Certificates, Standards

- Protection rating: IP20
- Insulation class: insulation class II (safety insulation)
- Temperature range (operation): 0..+35°C
- Certification, designation: CE

Material, Colour

- LED module: aluminium, highly specular, white
- Colour specification: white
- recessing ring: plastic, traffic white (RAL 9016)
- Colour specification: traffic white (RAL 9016)

Mounting

- Mounting method, mounting location: recessed, in the ceiling
- Ø of ceiling cut-out: 100mm
- Clamping range: 1..40mm
- Arrangement: single arrangement

Electrical connection

- Connection: terminal, 3-pole
- Nominal voltage: 220..230V, 50/60Hz, AC

Dimensions, Weight

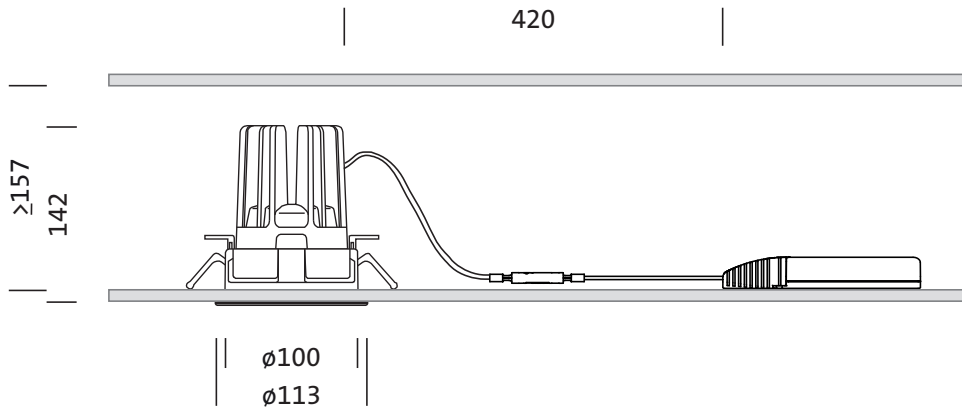
- Diameter: 114mm
- Height: 144mm
- Weight: 0.5kg

Service life

- Rated service life: 50000h (L85/B50) at AT = 25°C

Order No.: 51DJ11B71WF21 | GTIN (EAN): 4058352105450

Dimensions: Lun11mcRd,rec,spec,1320lm830,0/1,3p,wh



It is mandatory that the assembly instructions must be observed when planning and installing the electrical installation (to be found at www.siteco.de)
Tolerances related to thermal, electrical and photometric data according to IEC 62722
Issued 25.02.2023 - Modifications and errors subject to change - Ensure that you always use the latest version -

Order No.: 51DJ11B71WF21 | **GTIN (EAN):** 4058352105450

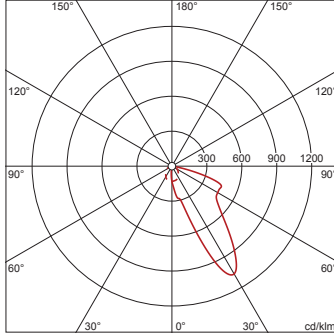
Planning data: Lun11mcRd,rec,spec,1320lm830,0/1,3p,wh

51DJ11B71WF21: 1x LED
3000K / CRI ≥ 80

4058352105450

51DJ11B71WF21

LED 3000K / CRI ≥ 80 Φ_N 1320 lm



I_{max} 1068 cd/klm at γ 30°

Luminance values (cd/m²)

C 0/180
L₈₀ 214759
L₇₀ 906125
L₆₅ 766785

UGR 43.3 35.3
X 4H Y 8H ρ 70/50/20 S 0.25H

No. of luminaires in room

Reflection factors 70/50/20

Em(lx)	100		200		500	
Lh(m)	2.5	3.0	2.5	3.0	2.5	3.0
20 m ²	2.4	2.6	4.7	5.2	12	13
30 m ²	3.9	4.7	7.8	9.4	20	23
40 m ²	4.4	5.2	8.9	10	22	26
50 m ²	5.3	6.1	11	12	26	31
75 m ²	8.3	9.5	17	19	41	47
100 m ²	9.9	11	20	22	49	54
500 m ²	45	47	90	93	224	233

Maintenance factor 0.8

Rh = Lh

It is mandatory that the assembly instructions must be observed when planning and installing the electrical installation (to be found at www.siteco.de)

Tolerances related to thermal, electrical and photometric data according to IEC 62722

Issued 25.02.2023 - Modifications and errors subject to change - Ensure that you always use the latest version -