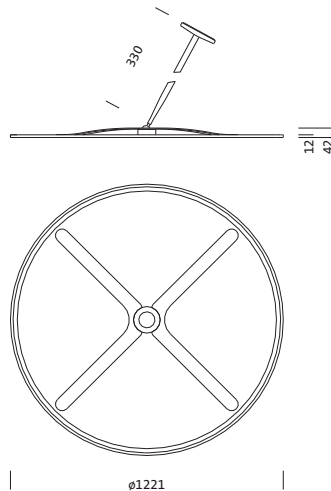


Order No.: 5NW13991KC | GTIN (EAN): 4039806449634

Product description: SMI,1200,fresn-refl100,PMMA,alu,spec

secondary reflector, for Siteco Mirrortec® Indoor, ball-and-socket joint pendant suspension, housing, circular, of aluminium, coated, metallic grey (RAL 9006), fresnel reflector 100, of PMMA, aluminized, highly specular, light point resolution, fresnel structure, diameter: 1.200 mm

Wt. (kg): 13.8
GTIN (EAN): 4039806449634



Order No.: 5NW13991KC | GTIN (EAN): 4039806449634

Detailed technical description: SMI,1200,fresn-refl100,PMMA,alu,spec

Key data

- Product type: secondary reflector
- Product name: Siteco Mirrortec® Indoor
- Order No.: 5NW13991KC

Lighting technology | Lamps | Control gear

Component 2

Lighting technology:

- Light control: fresnel reflector 100 of PMMA, aluminized, highly specular
- Glare reduction: light point resolution, fresnel structure
- Beam angle: narrow distribution
- Symmetry: symmetric distribution

Material, Colour

- ball-and-socket joint pendant suspension: aluminium, coated, metallic grey (RAL 9006), circular
- housing: aluminium, coated, metallic grey (RAL 9006), circular
- Colour specification: metallic grey (RAL 9006)

Mounting

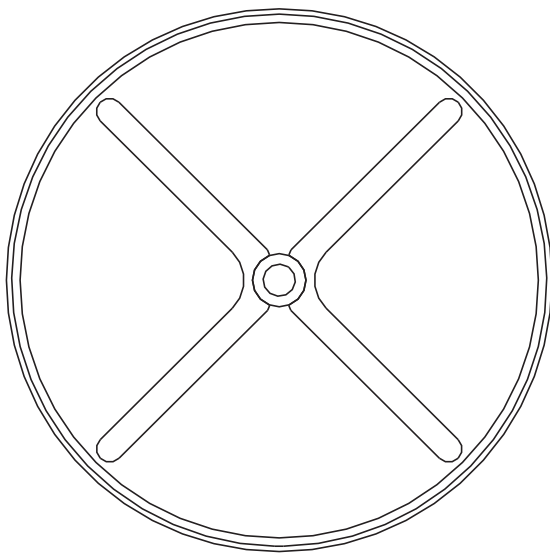
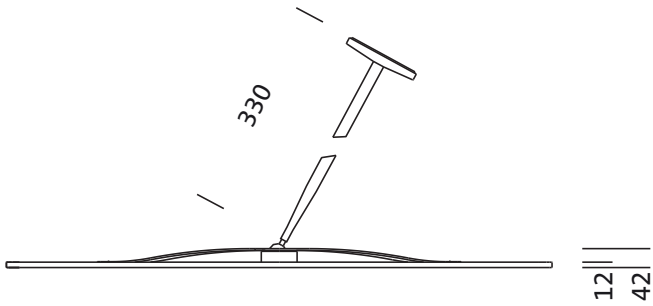
- Mounting method, mounting location: suspended mounting, to the ceiling, to the wall
- Arrangement: single arrangement

Dimensions, Weight

- Diameter: 1200mm
- Weight: 13.8kg

Order No.: 5NW13991KC | GTIN (EAN): 4039806449634

Dimensions: SMI,1200,fresn-refl100,PMMA,alu,spec



ø1221