

Order No.: 5MX31BD1W4A | **GTIN (EAN):** 4058352305447

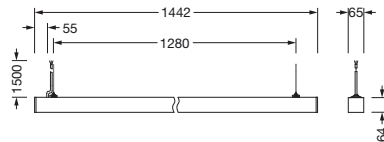
Product description: Silica,7070lm840,DA,L1442,wh,sp



Silica®, office luminaire, of aluminium, light emission: direct/indirect distribution, primary light characteristic: symmetric, installation type: suspended mounting, LED, rated luminous flux: 7.070lm, luminous efficacy: 155lm/W, light colour: 840, colour temperature: 4000K, control gear: ECG DALI, with terminal, 3+2-pole, max. 2.5mm², mains connection: 230V, AC, 50/60Hz, connection cable inclusive, cable length: 1,5m, rated input power: 46W, luminaire housing, of aluminium, traffic white (RAL 9016), length: 1.442mm, width: 65mm, height: 64mm, protection rating (complete): IP20, insulation class (complete): insulation class I (protective earthing), certification: CE, permissible operating ambient temperature: 0..+35°C, standard: EN 50419, packaging unit: 1 piece

IP 20  

Lamps:	LED
Wt. (kg):	4.0
GTIN (EAN):	4058352305447



Order No.: 5MX31BD1W4A | **GTIN (EAN):** 4058352305447

Detailed technical description: Silica,7070lm840,DA,L1442,wh,sp



Key data

- Product type: office luminaire
- Product name: Silica®
- Order No.: 5MX31BD1W4A

Lighting technology | Lamps | Control gear

Component 1

Lighting technology:

- Beam angle: wide distribution
- Symmetry: symmetric
- Light emission: direct/indirect distribution
- UGR viewing direction along longitudinal luminaire axis: ≤ 19
- UGR viewing direction along lateral luminaire axis: ≤ 19

Lamps:

- Lamps: with LED
- Rated luminous flux: 7070lm
- Luminous efficacy: 155lm/W
- Colour temperature: 4000K
- Colour rendering index: CRI > 80
- Light colour: 840
- SDCM (Standard Deviation of Colour Matching): MacAdam ≤ 3 SDCM (initial)
- Rated input power: 46W

Operating device:

- Control gear: ECG DALI
- Control: DALI (2 addresses)

Certificates, Standards

- Protection rating: IP20
- Insulation class: insulation class I (protective earthing)
- Temperature range (operation): 0..+35°C
- Standard: EN 50419
- Certification, designation: CE

Material, Colour

- luminaire housing: aluminium, traffic white (RAL 9016)
- Colour specification: traffic white (RAL 9016)

Mounting

- Mounting method, mounting location: suspended mounting
- Arrangement: single arrangement

Electrical connection

- Connection: terminal, 3+2-pole, max. 2.5mm²
- Nominal voltage: 230V, 220..240V, 50/60Hz, AC
- Connection cable: inclusive, L= 1.5m

Dimensions, Weight

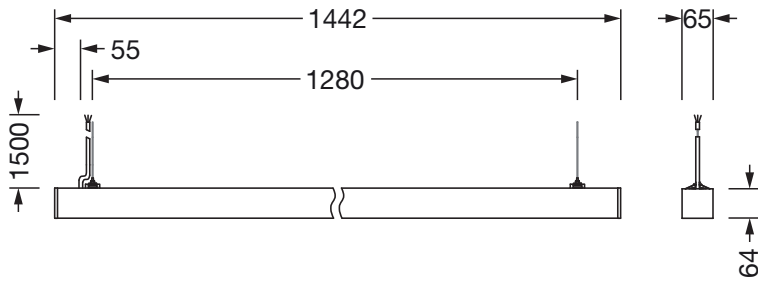
- Length: 1442mm
- Width: 65mm
- Height: 64mm
- Weight: 4.0kg

Service life

- Rated service life: 50000h (L85/B50) at AT = 25°C

Order No.: 5MX31BD1W4A | GTIN (EAN): 4058352305447

Dimensions: Silica,7070lm840,DA,L1442,wh,sp



It is mandatory that the assembly instructions must be observed when planning and installing the electrical installation (to be found at www.siteco.de)

Tolerances related to thermal, electrical and photometric data according to IEC 62722

Issued 16.02.2024 - Modifications and errors subject to change - Ensure that you always use the latest version -

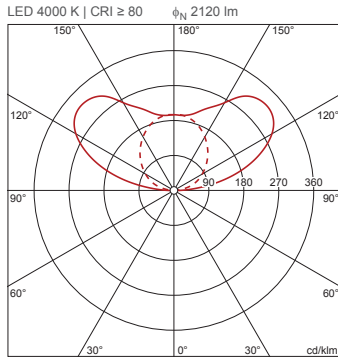
Order No.: 5MX31BD1W4A | GTIN (EAN): 4058352305447

Planning data: Silica,7070lm840,DA,L1442,wh,sp

**5MX31BD1W4A: 1x LED;
individual setting: only
indirect light**

4058352305447
5MX31BD1W4A

LED 4000 K | CRI ≥ 80



ϕ_{\downarrow} 0% ϕ_{\uparrow} 100%

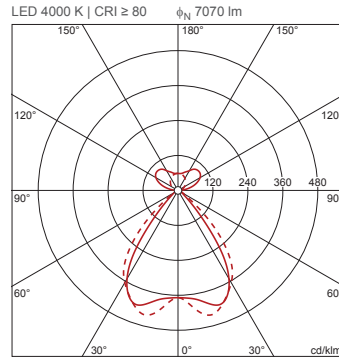
Luminance values (cd/m²)

	C 0/180	C 90/270
L ₈₀	0	0
L ₇₀	0	0
L ₆₅	0	0

**5MX31BD1W4A: 1x LED;
factory setting: direct and
indirect light**

4058352305447
5MX31BD1W4A

LED 4000 K | CRI ≥ 80



ϕ_{\downarrow} 70% ϕ_{\uparrow} 30%

Luminance values (cd/m²)

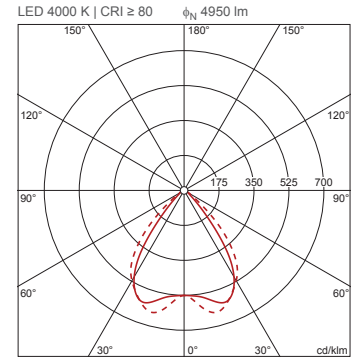
	C 0/180	C 90/270
L ₈₀	1073	1278
L ₇₀	1727	2144
L ₆₅	1968	2820

UGR 15 16.7
X 4H Y 8H ρ 70/50/20 S 0.25H

**5MX31BD1W4A: 1x LED;
individual setting: only direct
light**

4058352305447
5MX31BD1W4A

LED 4000 K | CRI ≥ 80



ϕ_{\downarrow} 100% ϕ_{\uparrow} 0%

Luminance values (cd/m²)

	C 0/180	C 90/270
L ₈₀	1073	1278
L ₇₀	1727	2144
L ₆₅	1968	2820

UGR 17.3 19
X 4H Y 8H ρ 70/50/20 S 0.25H

It is mandatory that the assembly instructions must be observed when planning and installing the electrical installation (to be found at www.siteco.de)

Tolerances related to thermal, electrical and photometric data according to IEC 62722

Issued 16.02.2024 - Modifications and errors subject to change - Ensure that you always use the latest version -