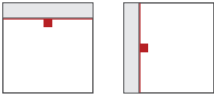


**Order No.:** OMD5307L1830 | **GTIN (EAN):** 4052899987524

**Product description:** Rond21,1800lm830,0/1,PC,wh

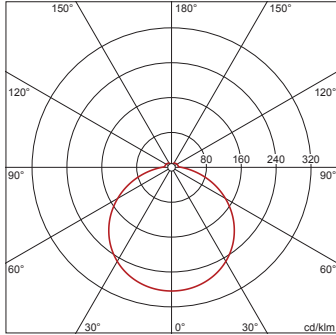


Rondel 21, wall and ceiling luminaire, of PC, opal, light emission: direct distribution, installation type: surface-mounted, LED, rated luminous flux: 1.800lm, luminous efficacy: 100lm/W, light colour: 830, colour temperature: 3000K, control gear: ECG, with terminal, 2-pole, mains connection: 220..240V, AC, 50/60Hz, rated input power: 18W, housing, round, of sheet steel, powder-coated, white, diameter: 380mm, height: 28mm, cover, of PC, graphite (RAL 7037), protection rating (complete): IP40, insulation class (complete): insulation class II (safety insulation), certification: CE, impact resistance: IK03, permissible operating ambient temperature: -20..+40°C, permissible storage temperature: -20..+80°C, packaging unit: 1 piece

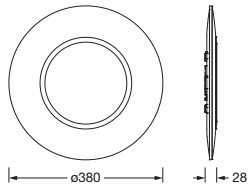
IP 40 IK 03  

4052899987524  
OMD5307L1830

LED 3000K / CRI ≥ 80  $\phi_N$  1800 lm



Lamps:	LED
Wt. (kg):	1.6
GTIN (EAN):	4052899987524



Order No.: OMD5307L1830 | GTIN (EAN): 4052899987524

Detailed technical description: Rond21,1800lm830,0/1,PC,wh



#### Key data

- Product type: wall and ceiling luminaire
- Product name: Rondel 21
- Order No.: OMD5307L1830

#### Lighting technology | Lamps | Control gear

##### Component 1

#### Lighting technology:

- Light emission: direct distribution

#### Lamps:

- Lamps: with LED
- Rated luminous flux: 1800lm
- Luminous efficacy: 100lm/W
- Colour temperature: 3000K
- Colour rendering index: CRI > 80
- Light colour: 830
- SDCM (Standard Deviation of Colour Matching): MacAdam  $\leq$  5 SDCM (initial)
- Rated input power: 18W

#### Operating device:

- Control gear: ECG
- Control: ON/OFF

#### Certificates, Standards

- Protection rating: IP40
- Insulation class: insulation class II (safety insulation)
- Impact resistance: IK03
- Temperature range (operation): -20..+40°C
- Certification, designation: CE

#### Material, Colour

- housing: sheet steel, powder-coated, white, round
- Colour specification: white
- cover: PC, graphite (RAL 7037)
- Colour specification: graphite (RAL 7037)

#### Mounting

- Mounting method, mounting location: surface-mounted, to the ceiling, to the wall

#### Electrical connection

- Connection: terminal, 2-pole
- Nominal voltage: 220..240V, 50/60Hz, AC

#### Dimensions, Weight

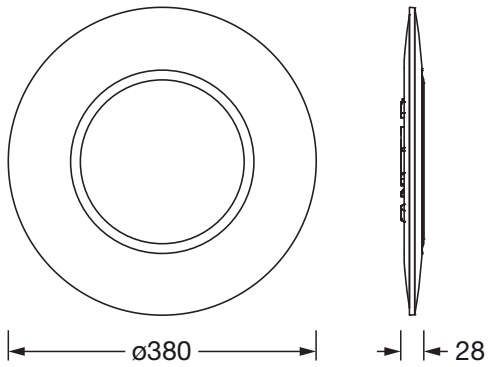
- Diameter: 380mm
- Height: 28mm
- Weight: 1.6kg

#### Service life

- Rated service life: 50000h (L70/B50) at AT = 25°C

Order No.: OMD5307L1830 | GTIN (EAN): 4052899987524

Dimensions: Rond21,1800lm830,0/1,PC,wh

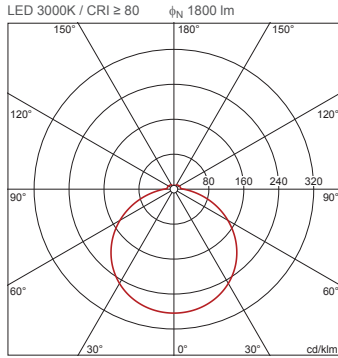


**Order No.:** OMD5307L1830 | **GTIN (EAN):** 4052899987524

**Planning data:** Rond21,1800lm830,0/1,PC,wh

**OMD5307L1830: 1x LED**  
**3000K / CRI ≥ 80**

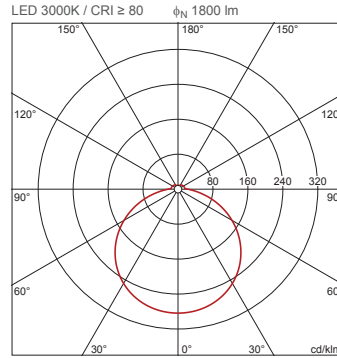
4052899987524  
OMD5307L1830



H(m)	$\phi$ (m)	E <sub>max</sub> (lx)	E <sub>m</sub> (lx)
2	6.98	128	56
3	10.48	57	25
4	13.97	32	14
5	17.46	20	9
6	20.95	14	6

**OMD5307L1830 + OMD5303B:**  
**1x LED 3000K / CRI ≥ 80**

4052899987524 + 4052899987609  
OMD5307L1830 + OMD5303B



H(m)	$\phi$ (m)	E <sub>max</sub> (lx)	E <sub>m</sub> (lx)
2	6.98	128	56
3	10.48	57	25
4	13.97	32	14
5	17.46	20	9
6	20.95	14	6

**OMD5307L1830 + OMD5303B:**  
**1x LED 4000K / CRI ≥ 80;**  
**emergency light operation**  
**min. luminous flux: 3 h**

4052899987524 + 4052899987609  
OMD5307L1830 + OMD5303B

