

**Order No.:** 51DH11CD3FF22 | **GTIN (EAN):** 4058352107515

**Product description:** Lun11mnRdSp,rec,nrrw,2780lm830,DA,5p,sr



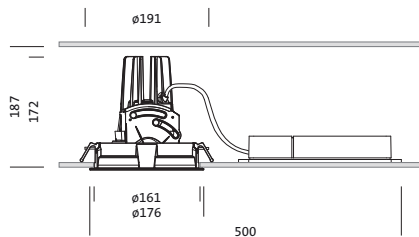
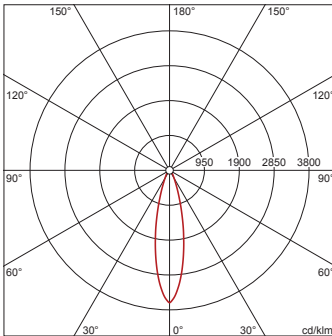
Lunis 11 mini round, Spot, downlight, LED rated luminous flux: 2.780lm, light colour: 830, with terminal, 5-pole, mains connection: 220..230V, AC, 50/60Hz, LED module, luminaire module, of diecast aluminium, coated, silver, diameter: 176mm, clamping range: 1..40mm, recessing ring, round, of PC, traffic white (RAL 9016), protection rating (complete): IP20, insulation class (complete): insulation class II (safety insulation), certification: CE, permissible ambient temperature for indoor applications: 0..+35°C, packaging unit: 1 piece

IP 20  

Lamps: LED  
 Wt. (kg): 0.9  
 GTIN (EAN): 4058352107515

4058352107515  
 51DH11CD3FF22

LED 3000K / CRI ≥ 80  $\phi_{\text{N}}$  2780 lm



It is mandatory that the assembly instructions must be observed when planning and installing the electrical installation (to be found at [www.siteco.de](http://www.siteco.de))  
 Tolerances related to thermal, electrical and photometric data according to IEC 62722  
 Issued 03.03.2023 - Modifications and errors subject to change - Ensure that you always use the latest version -

Order No.: 51DH11CD3FF22 | GTIN (EAN): 4058352107515

Detailed technical description: Lun11mnRdSp,rec,nrrw,2780lm830,DA,5p,sr



#### Key data

- Product type: downlight
- Product name: Lunis 11 mini round Spot
- Order No.: 51DH11CD3FF22

#### Lighting technology | Lamps | Control gear

#### Component 1

#### Lighting technology:

- Beam angle: narrow distribution
- UGR viewing direction along lateral luminaire axis:  $\leq 19$

#### Lamps:

- Lamps: with LED
- Rated luminous flux: 2780lm
- Luminous efficacy: 103lm/W
- Colour temperature: 3000K
- Colour rendering index: CRI > 80
- Light colour: 830
- SDCM (Standard Deviation of Colour Matching): MacAdam  $\leq 3$  SDCM (initial)
- Rated input power: 27W

#### Operating device:

- Control: DALI

#### Certificates, Standards

- Protection rating: IP20
- Insulation class: insulation class II (safety insulation)
- Temperature range (operation): 0..+35°C
- Certification, designation: CE

#### Material, Colour

- LED module: diecast aluminium, coated, silver
- luminaire module: diecast aluminium, coated, silver
- Colour specification: silver
- recessing ring: PC, traffic white (RAL 9016), round
- Colour specification: traffic white (RAL 9016)

#### Mounting

- Mounting method, mounting location: recessed, in the ceiling
- $\varnothing$  of ceiling cut-out: 162mm
- Clamping range: 1..40mm
- Arrangement: single arrangement

#### Electrical connection

- Connection: terminal, 5-pole
- Nominal voltage: 220..230V, 50/60Hz, AC

#### Dimensions, Weight

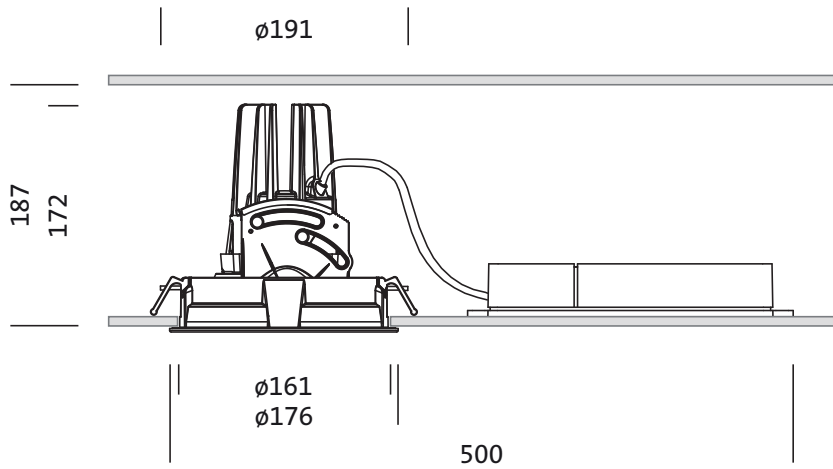
- Diameter: 176mm
- Height: 175mm
- Weight: 0.9kg

#### Service life

- Rated service life: 50000h (L85/B50) at AT = 25°C

Order No.: 51DH11CD3FF22 | GTIN (EAN): 4058352107515

Dimensions: Lun11mnRdSp,rec,nrrw,2780lm830,DA,5p,sr

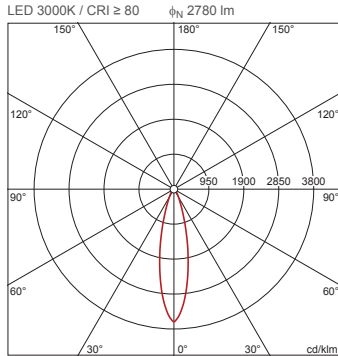


Order No.: 51DH11CD3FF22 | GTIN (EAN): 4058352107515

Planning data: Lun11mnRdSp,rec,nrrw,2780lm830,DA,5p,sr

**51DH11CD3FF22: 1x LED  
3000K / CRI ≥ 80**

4058352107515  
51DH11CD3FF22



$I_{max}$  3605 cd/klm at  $\gamma$  0°

Luminance values (cd/m<sup>2</sup>)

C 0/180  
L80 0  
L70 0  
L65 0

UGR 14.8 14.8  
X 4H Y 8H  $\rho$  70/50/20 S 0.25H

H(m)	$\phi$ (m)	$E_{max}(lx)$	$E_m(lx)$
2	0.87	2505	1918
3	1.31	1113	853
4	1.74	626	480
5	2.18	401	307
6	2.62	278	213

No. of luminaires in room

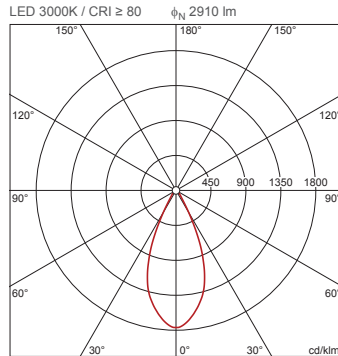
Lh(m)	Reflection factors 70/50/20					
	100		200		500	
2.5	2.5	3.0	2.5	3.0	2.5	3.0
20 m <sup>2</sup>	0.7	0.8	1.3	1.6	3.4	3.9
30 m <sup>2</sup>	1.8	1.6	3.6	3.1	9.1	7.9
40 m <sup>2</sup>	2.0	1.8	3.9	3.7	9.8	9.1
50 m <sup>2</sup>	2.6	2.3	5.2	4.7	13	12
75 m <sup>2</sup>	4.3	3.7	8.6	7.4	22	19
100 m <sup>2</sup>	4.9	4.5	9.7	8.9	24	22
500 m <sup>2</sup>	23	21	46	42	115	106

Maintenance factor 0.8

Rh = Lh

**51DH11CD3FF22 +  
59DL1L0000G0000D0: 1x  
LED 3000K / CRI ≥ 80**

4058352107515 + 4058352030165  
51DH11CD3FF22 + 59DL1L0000G0000D0



$I_{max}$  1764 cd/klm at  $\gamma$  0°

Luminance values (cd/m<sup>2</sup>)

C 0/180  
L80 0  
L70 0  
L65 0

UGR 14.7 14.7  
X 4H Y 8H  $\rho$  70/50/20 S 0.25H

H(m)	$\phi$ (m)	$E_{max}(lx)$	$E_m(lx)$
2	1.66	1284	969
3	2.49	571	431
4	3.31	321	242
5	4.14	205	155
6	4.97	143	108

No. of luminaires in room

Lh(m)	Reflection factors 70/50/20					
	100		200		500	
2.5	2.5	3.0	2.5	3.0	2.5	3.0
20 m <sup>2</sup>	0.8	0.8	1.5	1.7	3.9	4.2
30 m <sup>2</sup>	1.3	1.2	2.6	2.4	6.4	6.0
40 m <sup>2</sup>	1.6	1.6	3.2	3.3	7.9	8.1
50 m <sup>2</sup>	2.0	2.0	4.0	4.0	10	9.9
75 m <sup>2</sup>	3.1	2.9	6.2	5.8	16	14
100 m <sup>2</sup>	3.9	3.9	7.8	7.8	19	20
500 m <sup>2</sup>	19	19	38	38	94	95

Maintenance factor 0.8

Rh = Lh

It is mandatory that the assembly instructions must be observed when planning and installing the electrical installation (to be found at [www.siteco.de](http://www.siteco.de))

Tolerances related to thermal, electrical and photometric data according to IEC 62722

Issued 03.03.2023 - Modifications and errors subject to change - Ensure that you always use the latest version -