

**Order No.:** 51DH11B71FG22 | **GTIN (EAN):** 4058352107737

**Product description:** Lun11mnRdSp,rec,nrrw,1110lm840,0/1,5p,sr



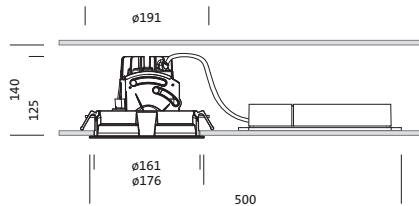
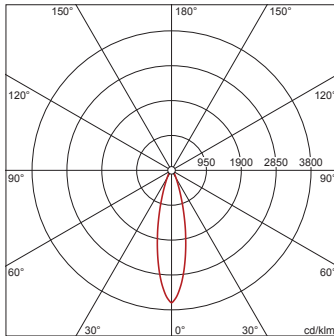
Lunis 11 mini round, Spot, downlight, LED rated luminous flux: 1.110lm, light colour: 840, with terminal, 5-pole, mains connection: 220..230V, AC, 50/60Hz, LED module, luminaire module, of diecast aluminium, coated, silver, diameter: 176mm, clamping range: 1..40mm, recessing ring, round, of PC, traffic white (RAL 9016), protection rating (complete): IP20, insulation class (complete): insulation class II (safety insulation), certification: CE, permissible ambient temperature for indoor applications: 0..+35°C, packaging unit: 1 piece

IP 20  

Lamps: LED  
 Wt. (kg): 0.7  
 GTIN (EAN): 4058352107737

4058352107737  
 51DH11B71FG22

LED 4000K / CRI ≥ 80  $\phi_{\text{N}}$  1110 lm



It is mandatory that the assembly instructions must be observed when planning and installing the electrical installation (to be found at [www.siteco.de](http://www.siteco.de))

Tolerances related to thermal, electrical and photometric data according to IEC 62722

Issued 25.02.2023 - Modifications and errors subject to change - Ensure that you always use the latest version -

Order No.: 51DH11B71FG22 | GTIN (EAN): 4058352107737

Detailed technical description: Lun11mnRdSp,rec,nrrw,1110lm840,0/1,5p,sr



#### Key data

- Product type: downlight
- Product name: Lunis 11 mini round Spot
- Order No.: 51DH11B71FG22

#### Lighting technology | Lamps | Control gear

#### Component 1

#### Lighting technology:

- Beam angle: narrow distribution
- UGR viewing direction along lateral luminaire axis:  $\leq 19$

#### Lamps:

- Lamps: with LED
- Rated luminous flux: 1110lm
- Luminous efficacy: 107lm/W
- Colour temperature: 4000K
- Colour rendering index: CRI > 80
- Light colour: 840
- SDCM (Standard Deviation of Colour Matching): MacAdam  $\leq 3$  SDCM (initial)
- Rated input power: 10W

#### Operating device:

- Control: ON/OFF

#### Certificates, Standards

- Protection rating: IP20
- Insulation class: insulation class II (safety insulation)
- Temperature range (operation): 0..+35°C
- Certification, designation: CE

#### Material, Colour

- LED module: diecast aluminium, coated, silver
- luminaire module: diecast aluminium, coated, silver
- Colour specification: silver
- recessing ring: PC, traffic white (RAL 9016), round
- Colour specification: traffic white (RAL 9016)

#### Mounting

- Mounting method, mounting location: recessed, in the ceiling
- $\varnothing$  of ceiling cut-out: 162mm
- Clamping range: 1..40mm
- Arrangement: single arrangement

#### Electrical connection

- Connection: terminal, 5-pole
- Nominal voltage: 220..230V, 50/60Hz, AC

#### Dimensions, Weight

- Diameter: 176mm
- Height: 125mm
- Weight: 0.7kg

#### Service life

- Rated service life: 50000h (L85/B50) at AT = 25°C

Order No.: 51DH11B71FG22 | GTIN (EAN): 4058352107737

Dimensions: Lun11mnRdSp,rec,nrrw,1110lm840,0/1,5p,sr



It is mandatory that the assembly instructions must be observed when planning and installing the electrical installation (to be found at [www.siteco.de](http://www.siteco.de))

Tolerances related to thermal, electrical and photometric data according to IEC 62722

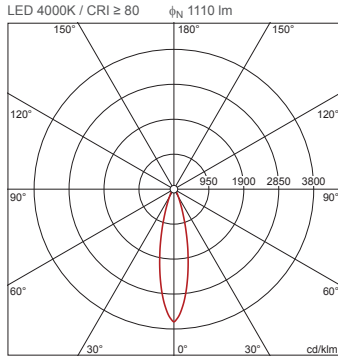
Issued 25.02.2023 - Modifications and errors subject to change - Ensure that you always use the latest version -

Order No.: 51DH11B71FG22 | GTIN (EAN): 4058352107737

Planning data: Lun11mnRdSp,rec,nrrw,1110lm840,0/1,5p,sr

**51DH11B71FG22: 1x LED  
4000K / CRI ≥ 80**

4058352107737  
51DH11B71FG22



$I_{max}$  3605 cd/klm at  $\gamma$  0°

Luminance values (cd/m<sup>2</sup>)

C 0/180  
L80 0  
L70 0  
L65 0

UGR 11.6 11.6  
X 4H Y 8H  $\rho$  70/50/20 S 0.25H

H(m)	$\phi$ (m)	$E_{max}$ (lx)	$E_m$ (lx)
2	0.87	1000	766
3	1.31	445	340
4	1.74	250	191
5	2.18	160	123
6	2.62	111	85

No. of luminaires in room  
Reflection factors 70/50/20

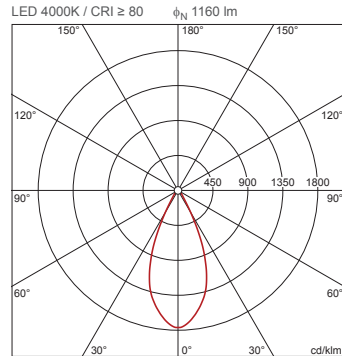
$E_m$ (lx)	100		200		500	
Lh(m)	2.5	3.0	2.5	3.0	2.5	3.0
20 m <sup>2</sup>	1.7	1.9	3.4	3.9	8.4	9.7
30 m <sup>2</sup>	4.6	3.9	9.1	7.9	23	20
40 m <sup>2</sup>	4.9	4.6	9.8	9.2	25	23
50 m <sup>2</sup>	6.5	5.9	13	12	32	29
75 m <sup>2</sup>	11	9.3	22	19	54	47
100 m <sup>2</sup>	12	11	24	22	61	56
500 m <sup>2</sup>	58	53	115	106	288	265

Maintenance factor 0.8

Rh = Lh

**51DH11B71FG22 +  
59DL1L0000G0000D0: 1x  
LED 4000K / CRI ≥ 80**

4058352107737 + 4058352030165  
51DH11B71FG22 + 59DL1L0000G0000D0



$I_{max}$  1764 cd/klm at  $\gamma$  0°

Luminance values (cd/m<sup>2</sup>)

C 0/180  
L80 0  
L70 0  
L65 0

UGR 11.5 11.5  
X 4H Y 8H  $\rho$  70/50/20 S 0.25H

H(m)	$\phi$ (m)	$E_{max}$ (lx)	$E_m$ (lx)
2	1.66	512	386
3	2.49	227	172
4	3.31	128	97
5	4.14	82	62
6	4.97	57	43

No. of luminaires in room

Reflection factors 70/50/20						
$E_m$ (lx)	100		200		500	
Lh(m)	2.5	3.0	2.5	3.0	2.5	3.0
20 m <sup>2</sup>	1.9	2.1	3.9	4.3	9.7	11
30 m <sup>2</sup>	3.2	3.0	6.4	6.0	16	15
40 m <sup>2</sup>	4.0	4.1	7.9	8.2	20	20
50 m <sup>2</sup>	5.0	5.0	10	10.0	25	25
75 m <sup>2</sup>	7.8	7.2	16	14	39	36
100 m <sup>2</sup>	9.8	9.8	20	20	49	49
500 m <sup>2</sup>	47	48	94	95	236	238

Maintenance factor 0.8

Rh = Lh

It is mandatory that the assembly instructions must be observed when planning and installing the electrical installation (to be found at [www.siteco.de](http://www.siteco.de))

Tolerances related to thermal, electrical and photometric data according to IEC 62722

Issued 25.02.2023 - Modifications and errors subject to change - Ensure that you always use the latest version -