

Order No.: 51DK11B72WN21 | **GTIN (EAN):** 4058352132302

Product description: Lun11mnRd,rec,WW,spec,2120lm940,0/1,3p

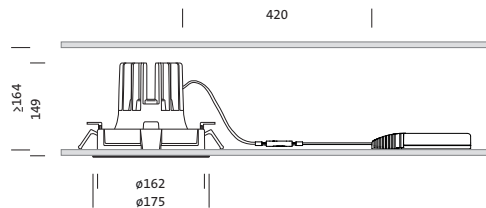
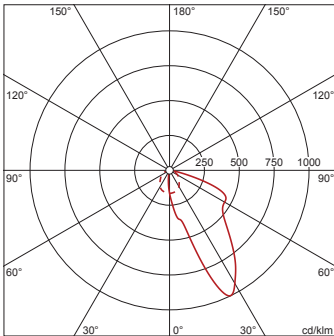


Lunis 11 mini round, downlight, light control with wallwasher, of highly reflective aluminium, highly specular, light emission: direct distribution, LED rated luminous flux: 2.120lm, light colour: 940, control gear: ECG, with terminal, 3-pole, mains connection: 220..230V, AC/DC, 0/50..60Hz, LED module, luminaire module, of aluminium, highly specular, white, diameter: 176mm, clamping range: 1..40mm, recessing ring, of plastic, traffic white (RAL 9016), protection rating (complete): IP20, insulation class (complete): insulation class II (safety insulation), certification: CE, permissible ambient temperature for indoor applications: 0..+35°C, packaging unit: 1 piece

IP 20  

4058352132302
51DK11B72WN21
LED 4000K / CRI ≥ 90 Φ_N 2120 lm

Lamps: LED
Wt. (kg): 1.1
GTIN (EAN): 4058352132302



It is mandatory that the assembly instructions must be observed when planning and installing the electrical installation (to be found at www.siteco.de)

Tolerances related to thermal, electrical and photometric data according to IEC 62722

Issued 24.02.2023 - Modifications and errors subject to change - Ensure that you always use the latest version -

Order No.: 51DK11B72WN21 | GTIN (EAN): 4058352132302

Detailed technical description: Lun11mnRd,rec,WW,spec,2120lm940,0/1,3p



Key data

- Product type: downlight
- Product name: Lunis 11 mini round
- Order No.: 51DK11B72WN21

Lighting technology | Lamps | Control gear

Component 1

Lighting technology:

- Light control: wallwasher of highly reflective aluminium, highly specular
- Beam angle: wallwasher
- Symmetry: asymmetric distribution
- Light emission: direct distribution

Lamps:

- Lamps: with High Power LED, LED
- Rated luminous flux: 2120lm
- Luminous efficacy: 75lm/W
- Colour temperature: 4000K
- Colour rendering index: CRI > 90
- Light colour: 940
- SDCM (Standard Deviation of Colour Matching): MacAdam ≤ 3 SDCM (initial)
- Rated input power: 28W

Operating device:

- Control gear: ECG
- Control: ON/OFF

Certificates, Standards

- Protection rating: IP20
- Insulation class: insulation class II (safety insulation)
- Temperature range (operation): 0..+35°C
- Certification, designation: CE

Material, Colour

- LED module: aluminium, highly specular, white
- luminaire module: aluminium, highly specular, white
- Colour specification: white
- recessing ring: plastic, traffic white (RAL 9016)
- Colour specification: traffic white (RAL 9016)

Mounting

- Mounting method, mounting location: recessed, in the ceiling
- Ø of ceiling cut-out: 162mm
- Clamping range: 1..40mm
- Arrangement: single arrangement

Electrical connection

- Connection: terminal, 3-pole
- Nominal voltage: 220..230V, 0/50..60Hz, AC/DC

Dimensions, Weight

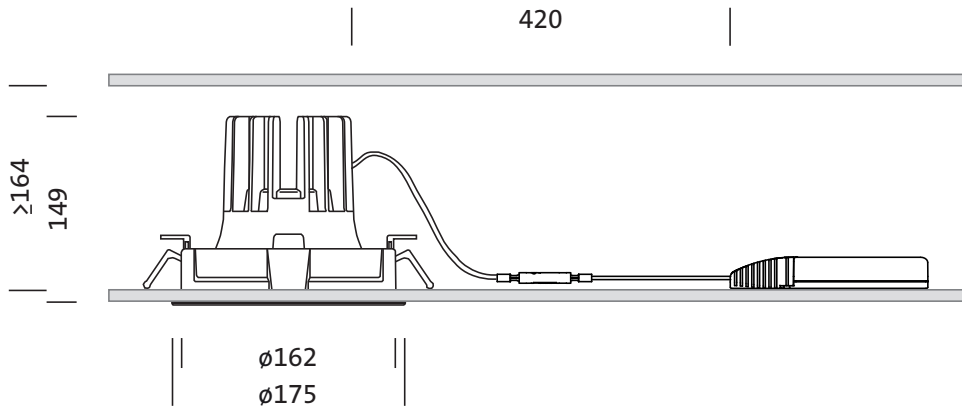
- Diameter: 176mm
- Height: 148mm
- Weight: 1.1kg

Service life

- Rated service life: 50000h (L85/B50) at AT = 25°C

Order No.: 51DK11B72WN21 | GTIN (EAN): 4058352132302

Dimensions: Lun11mnRd,rec,WW,spec,2120lm940,0/1,3p



It is mandatory that the assembly instructions must be observed when planning and installing the electrical installation (to be found at www.siteco.de)
Tolerances related to thermal, electrical and photometric data according to IEC 62722
Issued 24.02.2023 - Modifications and errors subject to change - Ensure that you always use the latest version -

Order No.: 51DK11B72WN21 | GTIN (EAN): 4058352132302

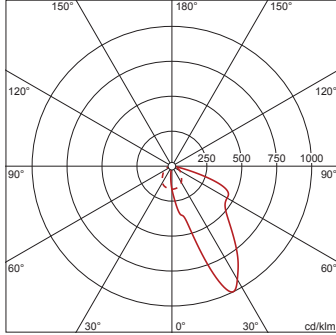
Planning data: Lun11mnRd,rec,WW,spec,2120lm940,0/1,3p

51DK11B72WN21: 1x LED
4000K / CRI ≥ 90

4058352132302

51DK11B72WN21

LED 4000K / CRI ≥ 90 Φ_N 2120 lm



I_{max} 991 cd/klm at γ 25°

Luminance values (cd/m²)

C 0/180
 L80 146453
 L70 589330
 L65 606212

UGR 41.6 34.7
 X 4H Y 8H ρ 70/50/20 S 0.25H

No. of luminaires in room

Reflection factors 70/50/20

| Em(lx) | 100 | | 200 | | 500 | |
|--------------------|-----|-----|-----|-----|-----|-----|
| Lh(m) | 2.5 | 3.0 | 2.5 | 3.0 | 2.5 | 3.0 |
| 20 m ² | 1.5 | 1.6 | 3.0 | 3.3 | 7.6 | 8.2 |
| 30 m ² | 2.2 | 2.8 | 4.4 | 5.6 | 11 | 14 |
| 40 m ² | 2.7 | 3.2 | 5.4 | 6.3 | 14 | 16 |
| 50 m ² | 3.3 | 3.7 | 6.5 | 7.4 | 16 | 19 |
| 75 m ² | 4.7 | 5.7 | 9.4 | 11 | 24 | 29 |
| 100 m ² | 6.1 | 6.7 | 12 | 13 | 31 | 33 |
| 500 m ² | 28 | 29 | 56 | 58 | 139 | 145 |

Maintenance factor 0.8

Rh = Lh

It is mandatory that the assembly instructions must be observed when planning and installing the electrical installation (to be found at www.siteco.de)

Tolerances related to thermal, electrical and photometric data according to IEC 62722

Issued 24.02.2023 - Modifications and errors subject to change - Ensure that you always use the latest version -