

Order No.: 51DJ11CD1WM21 | **GTIN (EAN):** 4058352132241

Product description: Lun11mcRd,rec,spec,1100lm930,DA,5p,wh

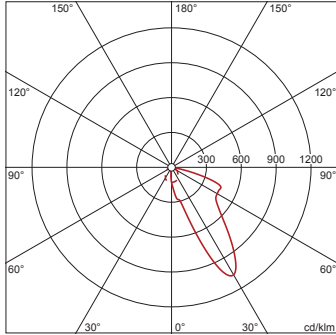


Lunis 11 micro round, downlight, light control with wallwasher, of highly reflective aluminium, highly specular, light emission: direct distribution, LED rated luminous flux: 1.100lm, light colour: 930, with terminal, 5-pole, mains connection: 220..230V, AC, 50/60Hz, LED module, of aluminium, highly specular, white, diameter: 114mm, clamping range: 1..40mm, recessing ring, of plastic, traffic white (RAL 9016), protection rating (complete): IP20, insulation class (complete): insulation class II (safety insulation), certification: CE, permissible ambient temperature for indoor applications: 0..+35°C, packaging unit: 1 piece

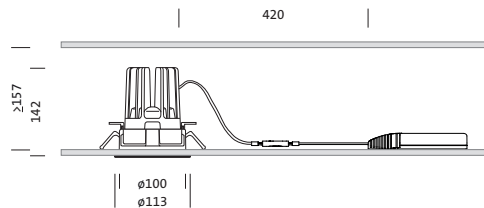
IP 20  

4058352132241
51DJ11CD1WM21

LED 3000K / CRI ≥ 90 Φ_N 1100 lm



Lamps: LED
Wt. (kg): 0.5
GTIN (EAN): 4058352132241



It is mandatory that the assembly instructions must be observed when planning and installing the electrical installation (to be found at www.siteco.de)

Tolerances related to thermal, electrical and photometric data according to IEC 62722

Issued 03.03.2023 - Modifications and errors subject to change - Ensure that you always use the latest version -

Order No.: 51DJ11CD1WM21 | **GTIN (EAN):** 4058352132241

Detailed technical description: Lun11mcRd,rec,spec,1100lm930,DA,5p,wh



Key data

- Product type: downlight
- Product name: Lunis 11 micro round
- Order No.: 51DJ11CD1WM21

Lighting technology | Lamps | Control gear

Component 1

Lighting technology:

- Light control: wallwasher of highly reflective aluminium, highly specular
- Symmetry: asymmetric distribution
- Light emission: direct distribution

Lamps:

- Lamps: with High Power LED, LED
- Rated luminous flux: 1100lm
- Luminous efficacy: 56lm/W
- Colour temperature: 3000K
- Colour rendering index: CRI > 90
- Light colour: 930
- SDCM (Standard Deviation of Colour Matching): MacAdam \leq 3 SDCM (initial)
- Rated input power: 20W

Operating device:

- Control: DALI

Certificates, Standards

- Protection rating: IP20
- Insulation class: insulation class II (safety insulation)
- Temperature range (operation): 0..+35°C
- Certification, designation: CE

Material, Colour

- LED module: aluminium, highly specular, white
- Colour specification: white
- recessing ring: plastic, traffic white (RAL 9016)
- Colour specification: traffic white (RAL 9016)

Mounting

- Mounting method, mounting location: recessed, in the ceiling
- \varnothing of ceiling cut-out: 100mm
- Clamping range: 1..40mm
- Arrangement: single arrangement

Electrical connection

- Connection: terminal, 5-pole
- Nominal voltage: 220..230V, 50/60Hz, AC

Dimensions, Weight

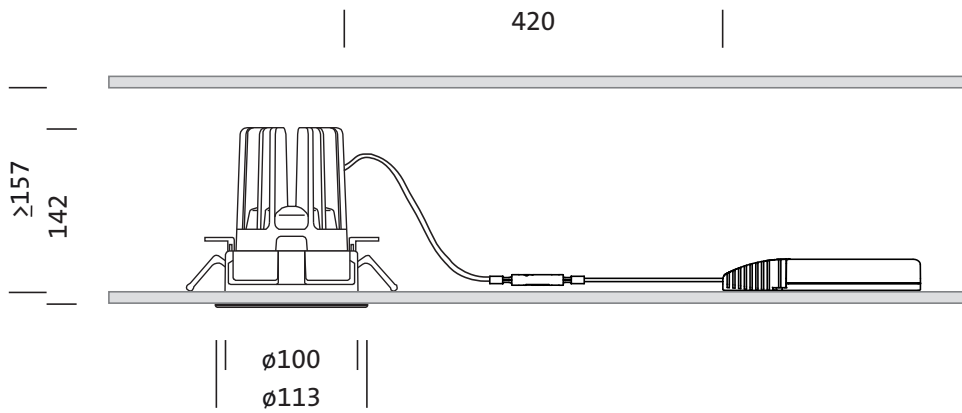
- Diameter: 114mm
- Height: 144mm
- Weight: 0.5kg

Service life

- Rated service life: 50000h (L85/B50) at AT = 25°C

Order No.: 51DJ11CD1WM21 | GTIN (EAN): 4058352132241

Dimensions: Lun11mcRd,rec,spec,1100lm930,DA,5p,wh



It is mandatory that the assembly instructions must be observed when planning and installing the electrical installation (to be found at www.siteco.de)
Tolerances related to thermal, electrical and photometric data according to IEC 62722
Issued 03.03.2023 - Modifications and errors subject to change - Ensure that you always use the latest version -

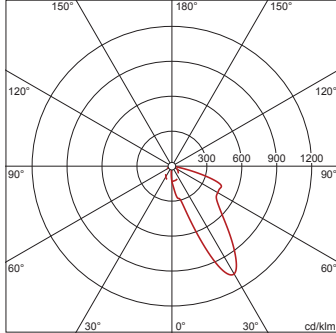
Order No.: 51DJ11CD1WM21 | GTIN (EAN): 4058352132241

Planning data: Lun11mcRd,rec,spec,1100lm930,DA,5p,wh

51DJ11CD1WM21: 1x LED
3000K / CRI ≥ 90

4058352132241
 51DJ11CD1WM21

LED 3000K / CRI ≥ 90 Φ_{N} 1100 lm



I_{max} 1068 cd/klm at γ 30°

Luminance values (cd/m²)

C 0/180
 L₈₀ 178966
 L₇₀ 755105
 L₆₅ 638987

UGR 42.7 34.6
 X 4H Y 8H ρ 70/50/20 S 0.25H

No. of luminaires in room

Reflection factors 70/50/20

Em(lx)	100		200		500	
Lh(m)	2.5	3.0	2.5	3.0	2.5	3.0
20 m ²	2.8	3.1	5.7	6.2	14	15
30 m ²	4.7	5.6	9.4	11	24	28
40 m ²	5.3	6.3	11	13	27	31
50 m ²	6.3	7.3	13	15	32	37
75 m ²	9.9	11	20	23	50	57
100 m ²	12	13	24	26	59	65
500 m ²	54	56	108	112	269	280

Maintenance factor 0.8

Rh = Lh

It is mandatory that the assembly instructions must be observed when planning and installing the electrical installation (to be found at www.siteco.de)

Tolerances related to thermal, electrical and photometric data according to IEC 62722

Issued 03.03.2023 - Modifications and errors subject to change - Ensure that you always use the latest version -