

**Order No.:** 5MB2512L30830 | **GTIN (EAN):** 4052899488793

**Product description:** Arktika<sup>®</sup> 21 off-lum, LED, 3670lm830, ECG, dir/ind

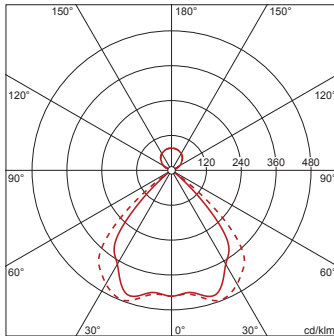


Arktika<sup>®</sup> 21, office luminaire, primary anti-glare with honeycomb louvre, of plastic, aluminium vaporised, highly specular, light emission: direct/indirect distribution, primary light characteristic: symmetric, installation type: suspended mounting, LED, rated luminous flux: 3.670lm, luminous efficacy: 120lm/W, light colour: 830, colour temperature: 3000K, control gear: ECG, with terminal, 3-pole, mains connection: 220..240V, AC, 50/60Hz, rated input power: 31W, housing, of aluminium, powder-coated, traffic white (RAL 9016), 1-length, length: 1.250mm, width: 120mm, height: 8mm, protection rating (complete): IP20, insulation class (complete): insulation class II (safety insulation), certification: CE, packaging unit: 1 piece

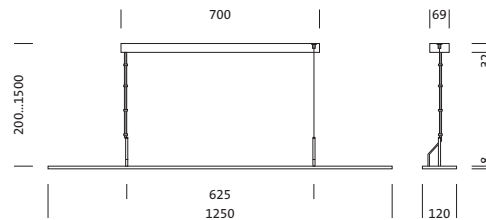
IP 20  

4052899488793  
5MB2512L30830

LED 3000K / CRI ≥ 80  $\Phi_{\text{N}}$  3670 lm



**Lamps:** LED  
**Wt. (kg):** 1.8  
**GTIN (EAN):** 4052899488793



It is mandatory that the assembly instructions must be observed when planning and installing the electrical installation (to be found at [www.siteco.de](http://www.siteco.de))

Tolerances related to thermal, electrical and photometric data according to IEC 62722

Issued 08.09.2023 - Modifications and errors subject to change - Ensure that you always use the latest version -

Order No.: 5MB2512L30830 | GTIN (EAN): 4052899488793

Detailed technical description: Arktika<sup>®</sup> 21 off-lum,LED,3670lm830,ECG,dir/ind



#### Key data

- Product type: office luminaire
- Product name: Arktika<sup>®</sup> 21
- Order No.: 5MB2512L30830

#### Lighting technology | Lamps | Control gear

##### Component 1

#### Lighting technology:

- Glare reduction: honeycomb louvre of plastic, aluminium vaporised, highly specular
- Beam angle: wide distribution, 95°
- Symmetry: symmetric
- Light emission: direct/indirect distribution, 75:25
- UGR viewing direction along longitudinal luminaire axis:  $\leq 19$

#### Lamps:

- Lamps: with LED
- Rated luminous flux: 3670lm
- Luminous efficacy: 120lm/W
- Colour temperature: 3000K
- Colour rendering index: CRI > 80
- Light colour: 830
- SDCM (Standard Deviation of Colour Matching): MacAdam  $\leq 3$  SDCM (initial)
- Rated input power: 31W

#### Operating device:

- Control gear: ECG
- Control: ON/OFF

#### Certificates, Standards

- Protection rating: IP20
- Insulation class: insulation class II (safety insulation)
- Certification, designation: CE

#### Material, Colour

- housing: aluminium, powder-coated, traffic white (RAL 9016), 1-length
- Colour specification: traffic white (RAL 9016)

#### Mounting

- Mounting method, mounting location: suspended mounting, to the wire suspension, to the ceiling
- Recommended suspension height: 0.2..1.5m

#### Electrical connection

- Connection: terminal, 3-pole
- Nominal voltage: 220..240V, 50/60Hz, AC

#### Dimensions, Weight

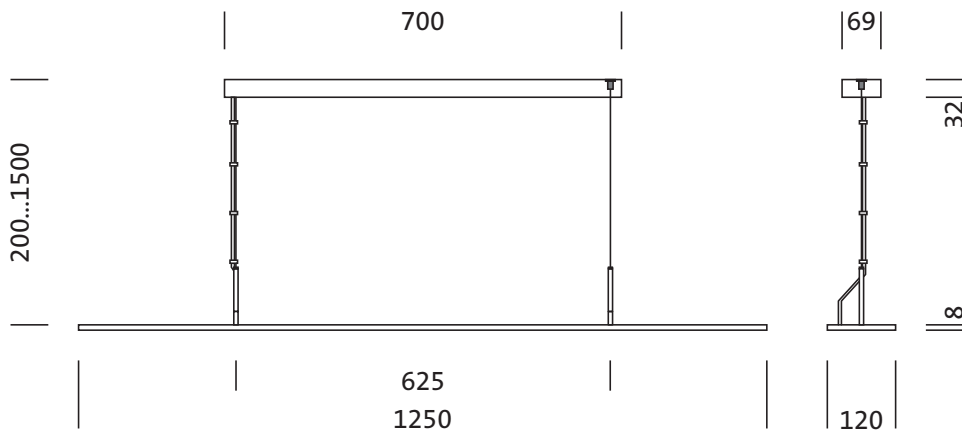
- Length: 1250mm
- Width: 120mm
- Height: 8mm
- Weight: 1.8kg

#### Service life

- Rated service life: 50000h (L80/B50) at AT = 25°C

Order No.: 5MB2512L30830 | GTIN (EAN): 4052899488793

Dimensions: Arkt21 off-lum,LED,3670lm830,ECG,dir/ind



Order No.: 5MB2512L30830 | GTIN (EAN): 4052899488793

Planning data: Arkt21off-lum,LED,3670lm830,ECG,dir/ind

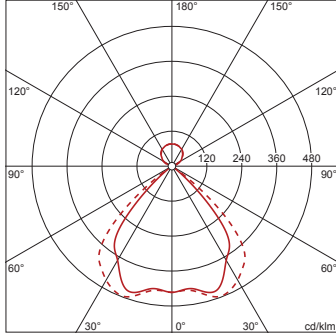
**5MB2512L30830: 1x LED**  
**3000K / CRI ≥ 80**

4052899488793

5MB2512L30830

LED 3000K / CRI ≥ 80

$\Phi_N$  3670 lm



$\phi_d$  79%  $\phi_t$  21%

Luminance values (cd/m<sup>2</sup>)

	C 0/180	C 90/270
L <sub>80</sub>	181	271
L <sub>70</sub>	244	247
L <sub>65</sub>	303	283

UGR 17.8 18.4

X 4H Y 8H  $\rho$  70/50/20 S 0.25H

No. of luminaires in room

Reflection factors 70/50/20

Em(lx)	100		200		500	
	Lh(m)	Rh(m)	Lh(m)	Rh(m)	Lh(m)	Rh(m)
20 m <sup>2</sup>	2.5	3.0	2.5	3.0	2.5	3.0
30 m <sup>2</sup>	0.7	0.8	1.4	1.6	3.6	4.0
40 m <sup>2</sup>	1.2	1.3	2.4	2.6	6.0	6.5
50 m <sup>2</sup>	1.5	1.7	3.0	3.3	7.5	8.3
75 m <sup>2</sup>	1.8	2.0	3.7	4.0	9.1	10.0
100 m <sup>2</sup>	2.8	2.9	5.6	5.8	14	15
100 m <sup>2</sup>	3.5	3.8	7.1	7.5	18	19
500 m <sup>2</sup>	17	17	34	34	84	86

Maintenance factor 0.8

Rh = Lh + 0.5 m

It is mandatory that the assembly instructions must be observed when planning and installing the electrical installation (to be found at [www.siteco.de](http://www.siteco.de))

Tolerances related to thermal, electrical and photometric data according to IEC 62722

Issued 08.09.2023 - Modifications and errors subject to change - Ensure that you always use the latest version -